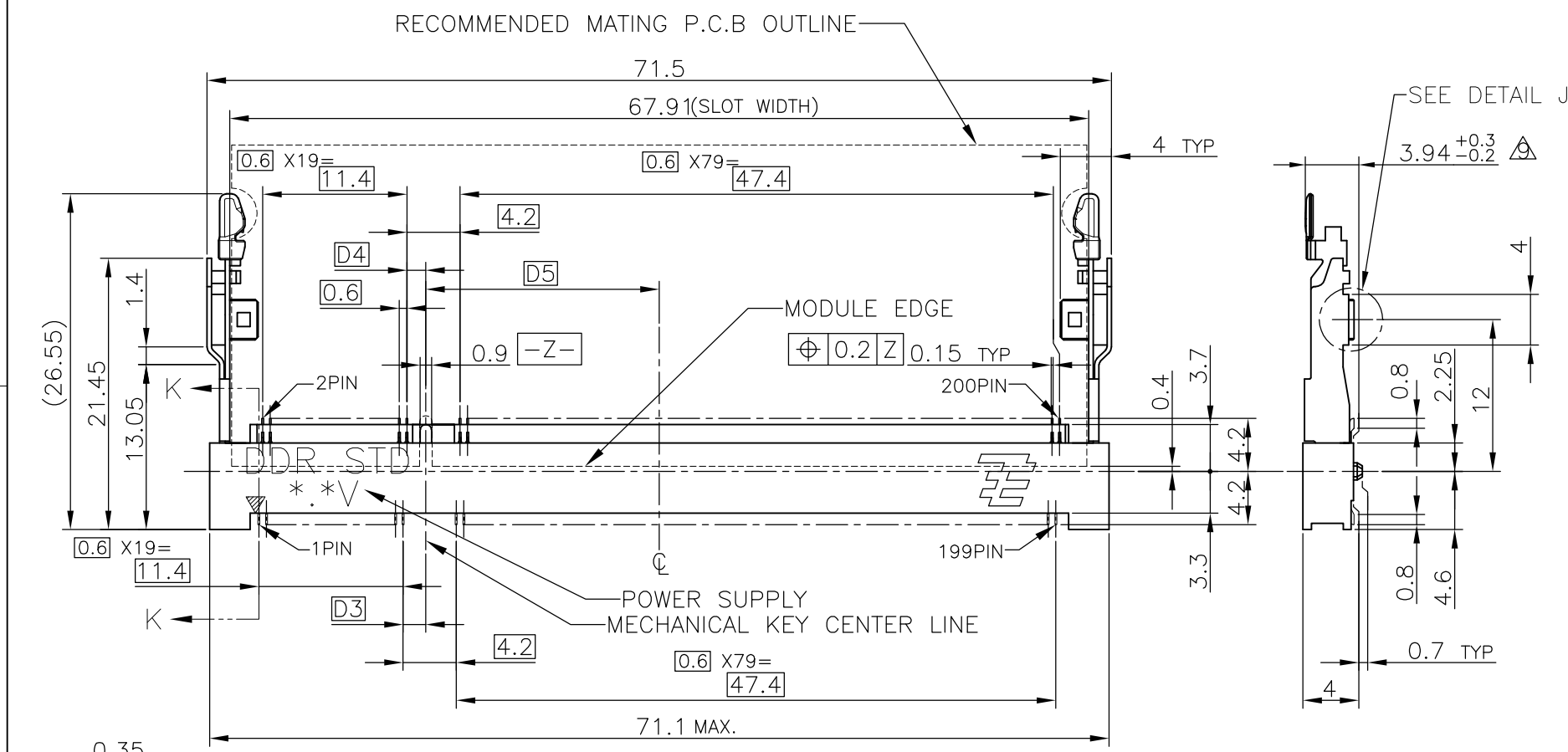
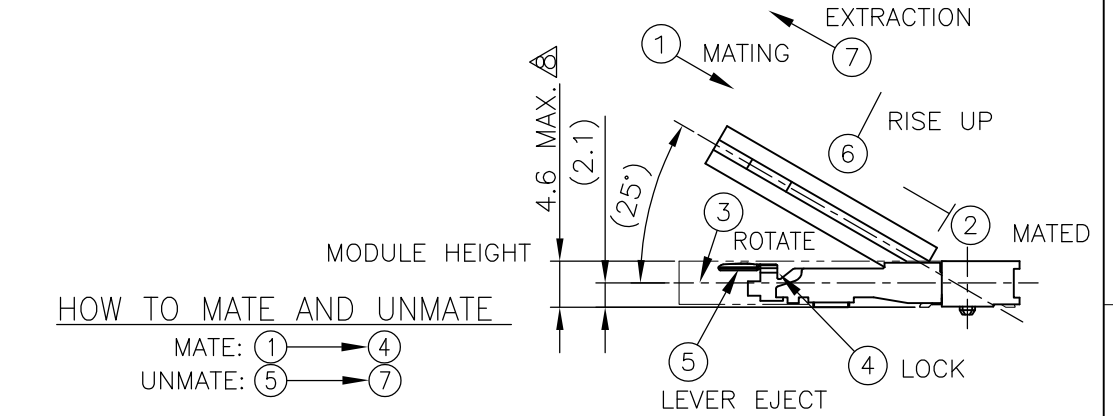
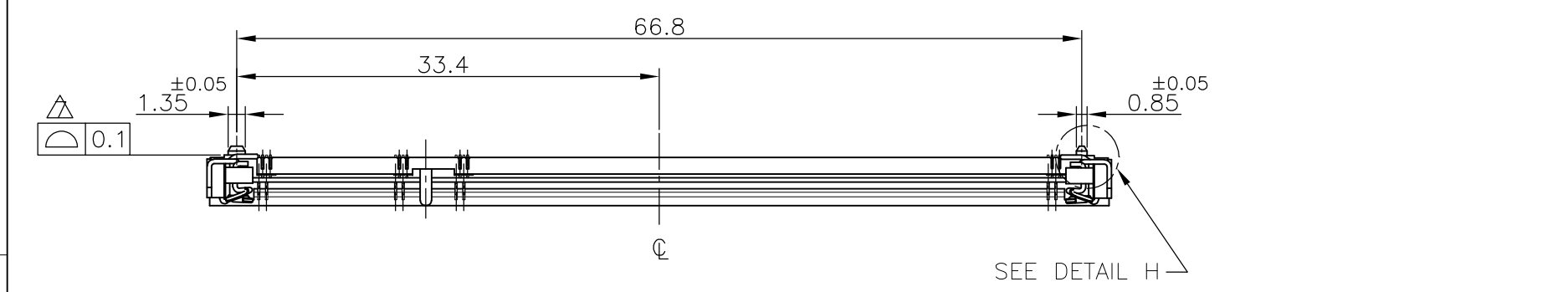
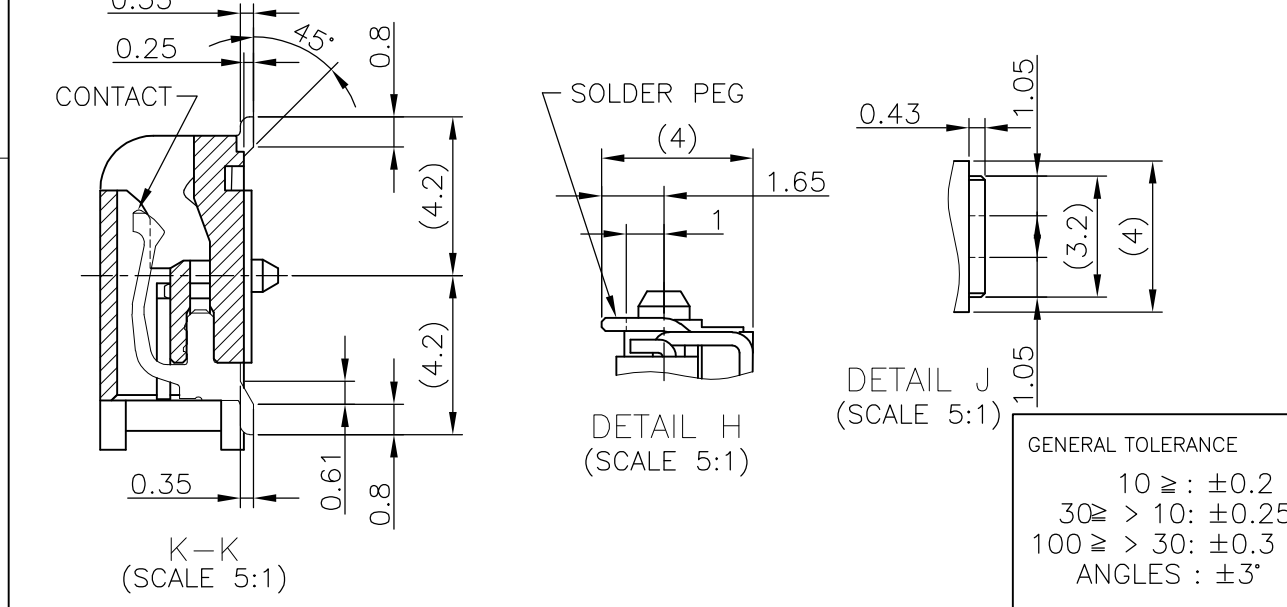


THIS DRAWING IS UNPUBLISHED. RELEASED FOR PUBLICATION NOV. 2004.
 © COPYRIGHT 2004 By - ALL RIGHTS RESERVED.

LOC		DIST		REVISIONS			
P	LTR	DESCRIPTION		DATE	DWN	APVD	
ES		B3		REVISED PER ECO-11-005033	29MAR11	RK HMR	



- (APPLIED TO SHEET 1-2)
- MATERIAL ; HOUSING: HIGH TEMPERATURE THERMO PLASTIC UL94V-0
CONTACT: COPPER ARROY
LOCK LEVER: STAINLESS STEEL
 - FINISH ; CONTACT AREA: GOLD FLASH ON 0.0013MIN ALL OVER NICKEL.
SOLDERING AREA: GOLD FLASH PLATING.
LOCK LEVER: TIN PLATING.
 - MECHANICAL KEY POSITION OF CONNECTOR SEE TABLE.
 - TOLERANCES NON-CUMULATIVE.
 - NOT TO SCALE.
 - INSIDE MUST BE RESIST COAT EXCEPT SOLDER PATTERN.
 - COPLANARITY : 0.1 MAX.
 - THE FLOATING VALUE BY SOLDERING IS NOT INCLUDED.
 - NOT MATING CONDITION.
 - IF THE MODULE DOESN'T INSERT AND LOCK IN THE LATCH SMOOTHLY, OPEN WIDE BOTH LATCHES BY MANUAL. AND THE MODULE MUST BE INSERTED AND LOCKED IN THE LATCH.
 - FINISH ; CONTACT AREA: GOLD PLATING 0.000254MIN ON 0.0013MIN ALL OVER NICKEL.
SOLDERING AREA: GOLD FLASH PLATING.
LOCK LEVER: TIN PLATING.



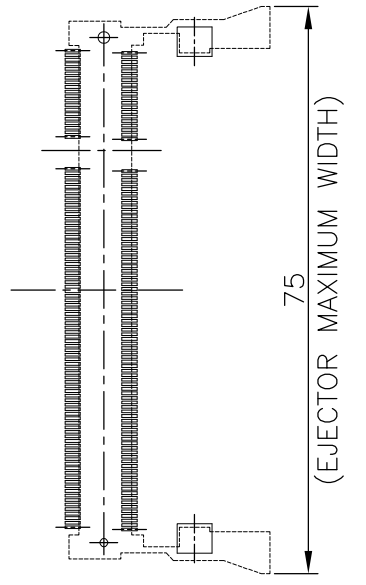
GENERAL TOLERANCE
 10 ≥ : ±0.2
 30 ≥ > 10: ±0.25
 100 ≥ > 30: ±0.3
 ANGLES : ±3'

AVAILABLE	△	1.8V (DDR2)	17.55	2.4	2.7	200	292406 -5
AVAILABLE	△	1.8V (DDR2)	17.55	2.4	2.7	200	292406 -4
TOOLING STATUS	REMARK	POWER SUPPLY	D5	D4	D3	POS	PART NO.
THIS DRAWING IS A CONTROLLED DOCUMENT.		DWN	LEO ZHOU	25MAY05	TE Connectivity DDR1 & DDR2 SODIMM SOCKET 0.6mm PITCH 200POS LOW PROFILE STANDARD TYPE (LATCH DIRECT SOLDERING TYPE)		
		CHK	T.KAWAMAE	25MAY05			
		APVD	STEVEN YAO	25MAY05			
		PRODUCT SPEC	108-5701				
DIMENSIONS: MM		TOLERANCES UNLESS OTHERWISE SPECIFIED:		APPLICATION SPEC		RESTRICTED TO	
0 PLC ± 1 PLC ± 2 PLC ± 3 PLC ± 4 PLC ± ANGLES ± FINISH ±		MATERIAL		WEIGHT		SCALE	
				3.2 g		2:1	
		CUSTOMER DRAWING		A300779 C-292406		SHEET 1 OF 4	
						REV B3	

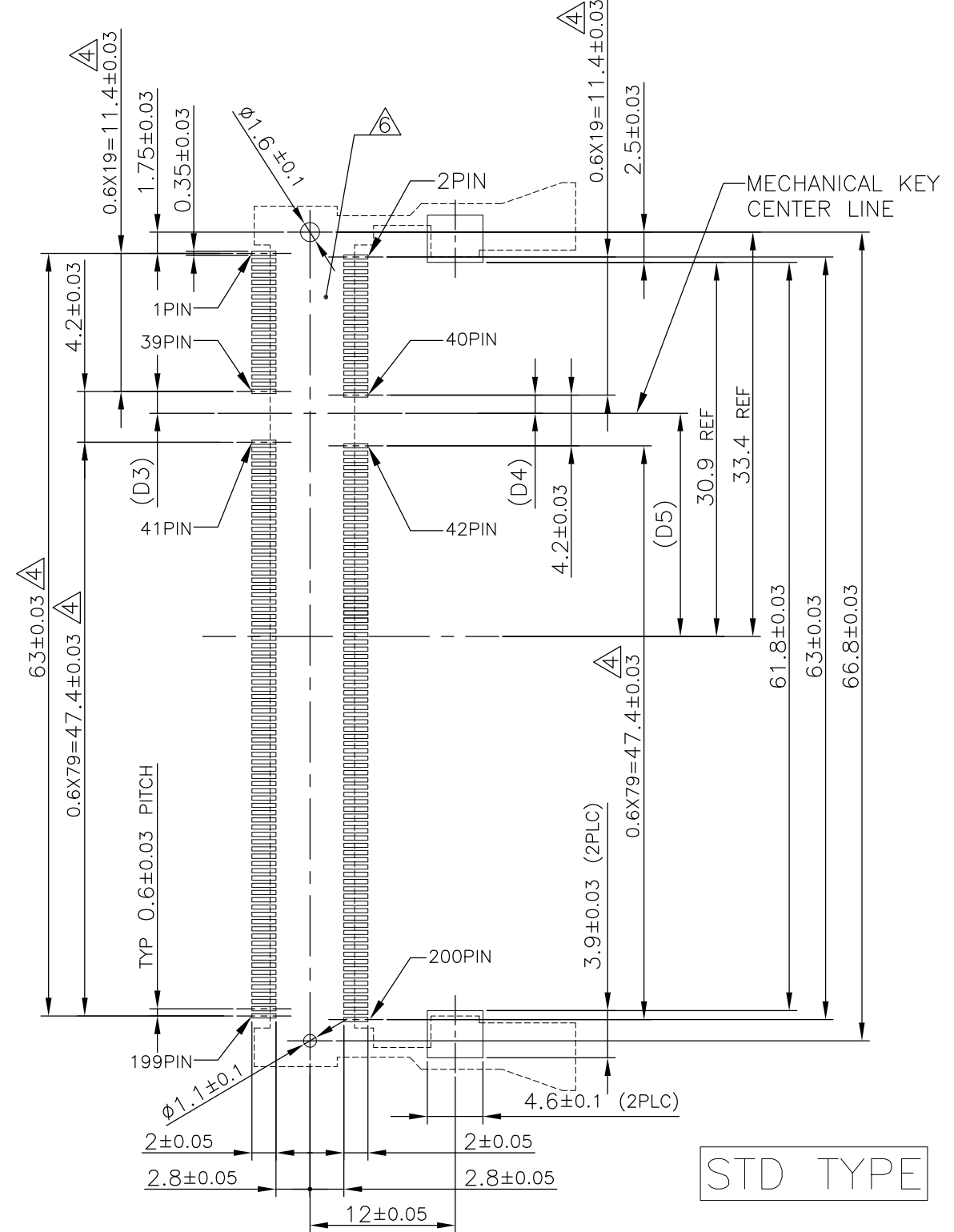
THIS DRAWING IS UNPUBLISHED. RELEASED FOR PUBLICATION NOV ,2004.
 © COPYRIGHT 2004 By - ALL RIGHTS RESERVED.

LOC		DIST		REVISIONS			
ES	/	P	LTR	DESCRIPTION	DATE	DWN	APVD
		-	-	SEE SHEET 1	-	-	-

REFERENCE P.C. BOARD PATTERN LAYOUT (CONNECTOR MOUNTING SIDE)



REAL SIZE (SCALE 1:1)



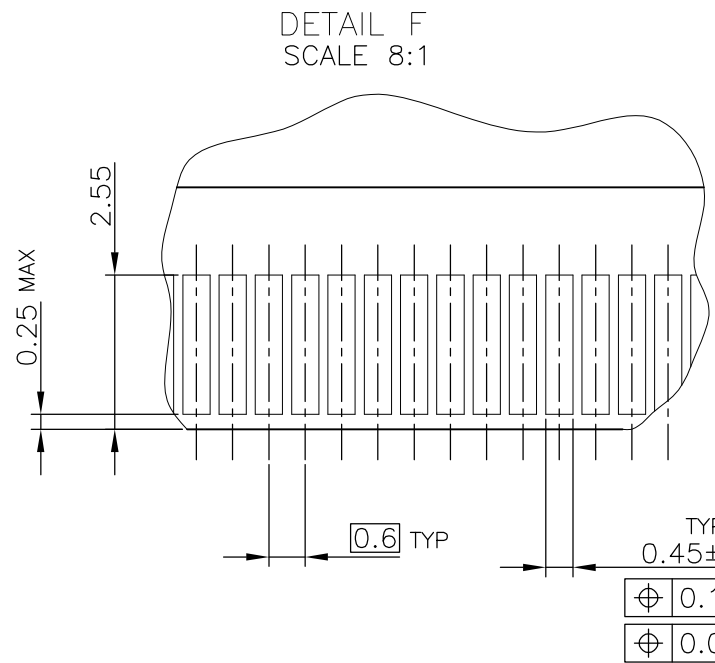
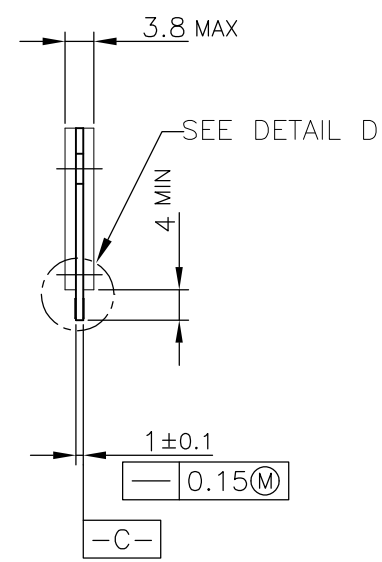
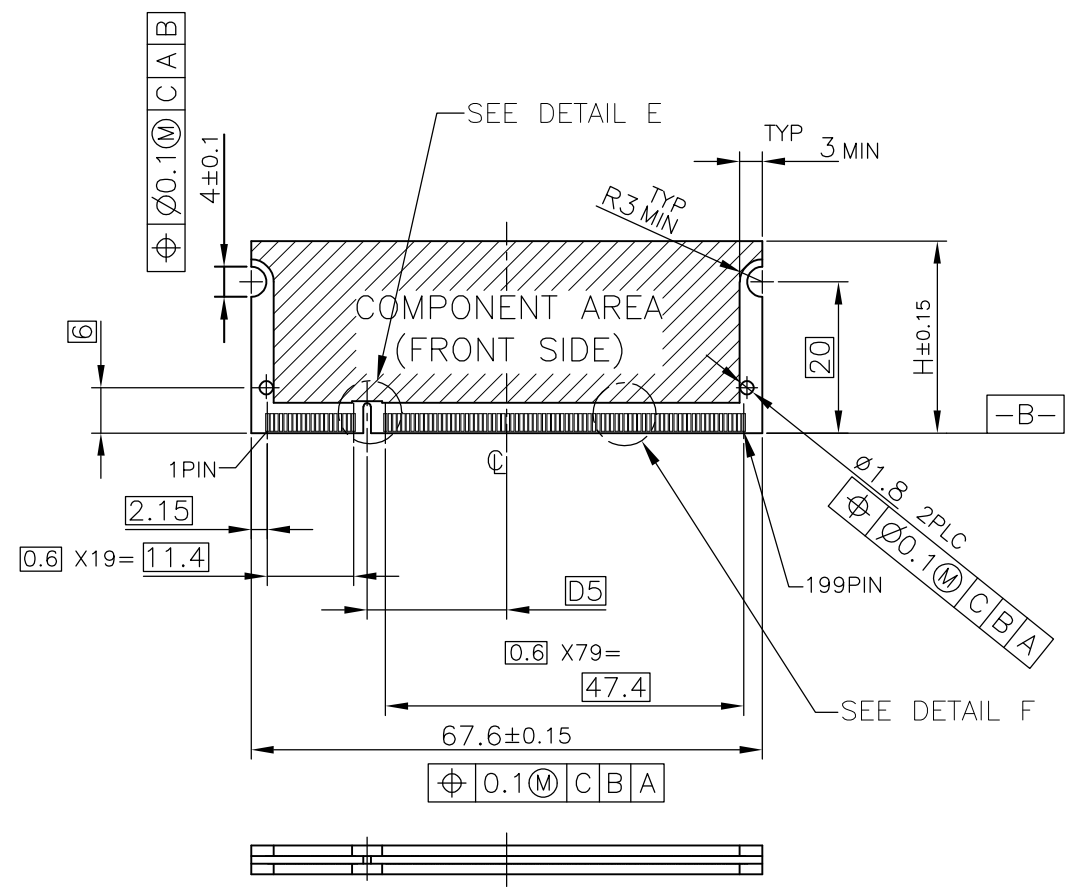
1.8V	17.55	2.4	2.7
2.5V	18.45	1.5	1.8
POWER SUPPLY	D5	D4	D3

STD TYPE

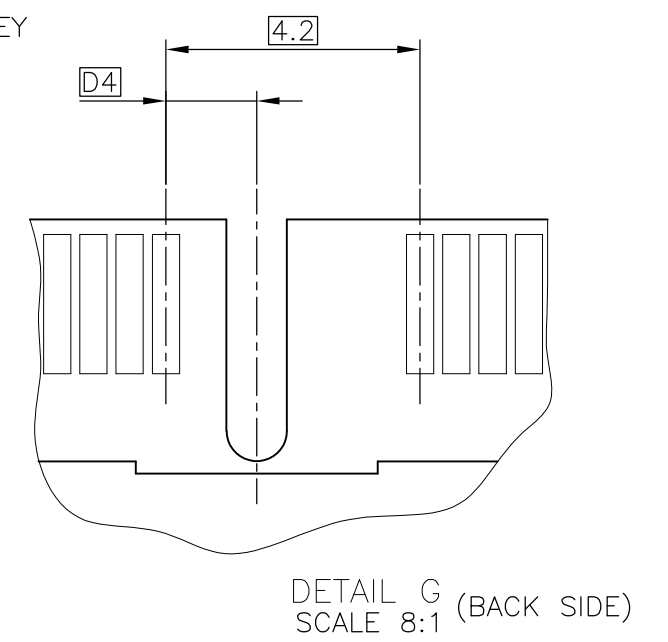
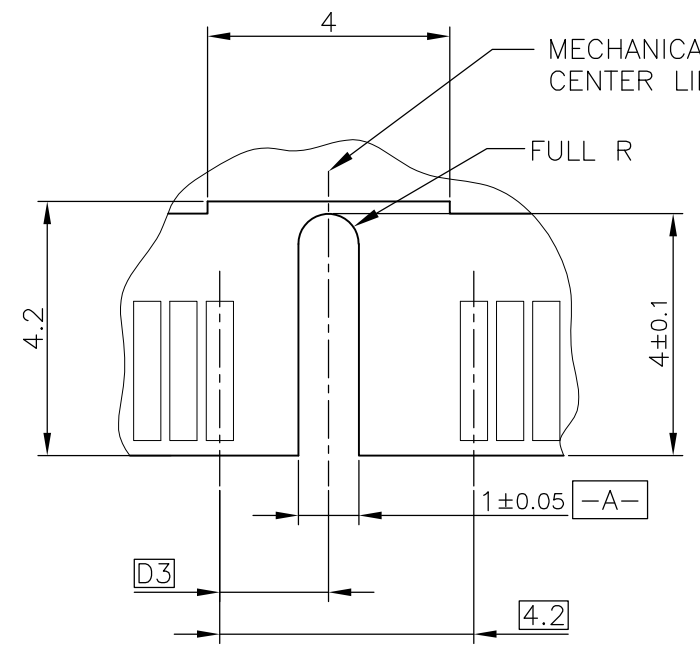
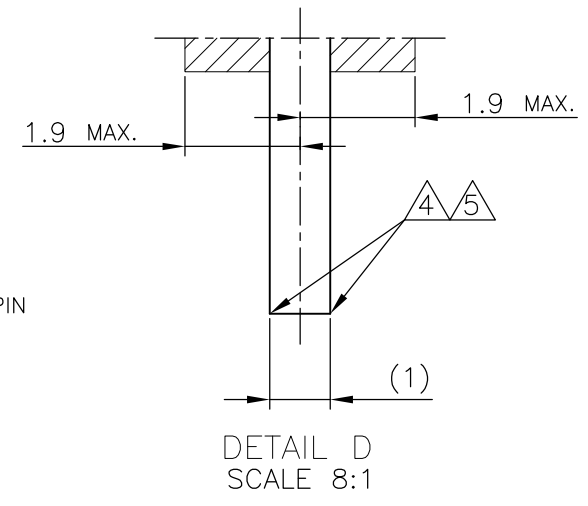
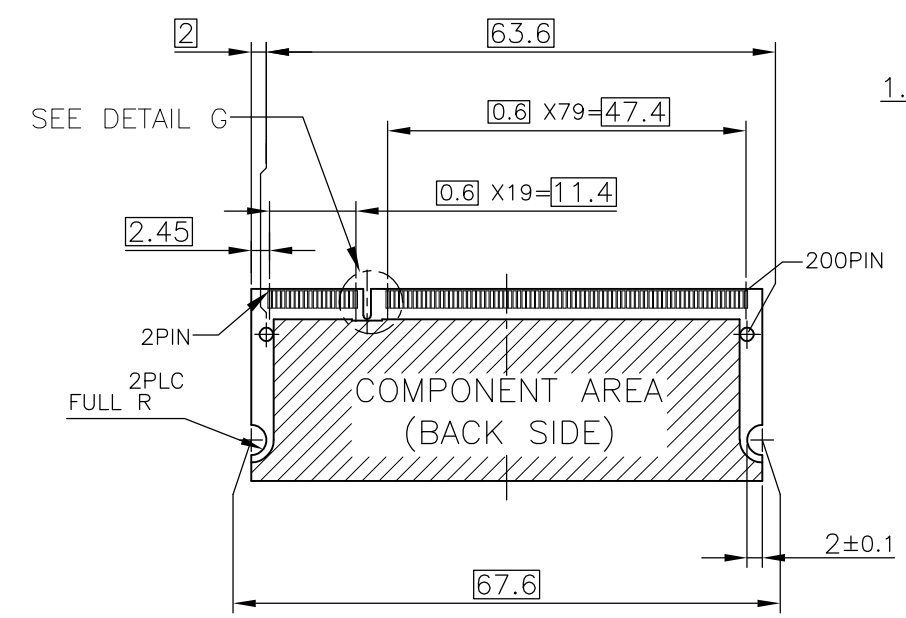
THIS DRAWING IS A CONTROLLED DOCUMENT.		DWN	STE TE Connectivity			
DIMENSIONS: MM		CHK				
TOLERANCES UNLESS OTHERWISE SPECIFIED: 0 PLC ± 1 PLC ± 2 PLC ± 3 PLC ± 4 PLC ± ANGLES ± FINISH		APVD	NAME DDR1 & DDR2 SODIMM SOCKET 0.6mm PITCH 200POS LOW PROFILE STANDARD TYPE (LATCH DIRECT SOLDERING TYPE)			
MATERIAL		PRODUCT SPEC	SIZE	CAGE CODE	DRAWING NO	RESTRICTED TO
		APPLICATION SPEC	A3	00779	C-292406	
		WEIGHT	CUSTOMER DRAWING		SCALE 2:1	SHEET 2 OF 4
					REV B3	

THIS DRAWING IS UNPUBLISHED. RELEASED FOR PUBLICATION NOV. 2004. ALL RIGHTS RESERVED.

LOC ES	DIST	REVISIONS			
P	LTR	DESCRIPTION	DATE	DWN	APVD
	-	SEE SHEET 1	-	-	-



- (APPLIED TO SHEET 3)
1. TOLERANCES ON ALL DIMENSIONS ±0.15 UNLESS OTHERWISE SPECIFIED.
 2. P.C.BOARD THICKNESS APPLIES ACROSS TABS AND INCLUDES PLATING AND/OR METALIZATION.
 3. FINISH OF PAD : GOLD PLATING 0.00076 MIN. OVER Ni PLATING 0.002MIN.
- ⚠ NO BURR
- ⚠ CHAMFER 0.25 MAX x 45° IF EXIST.



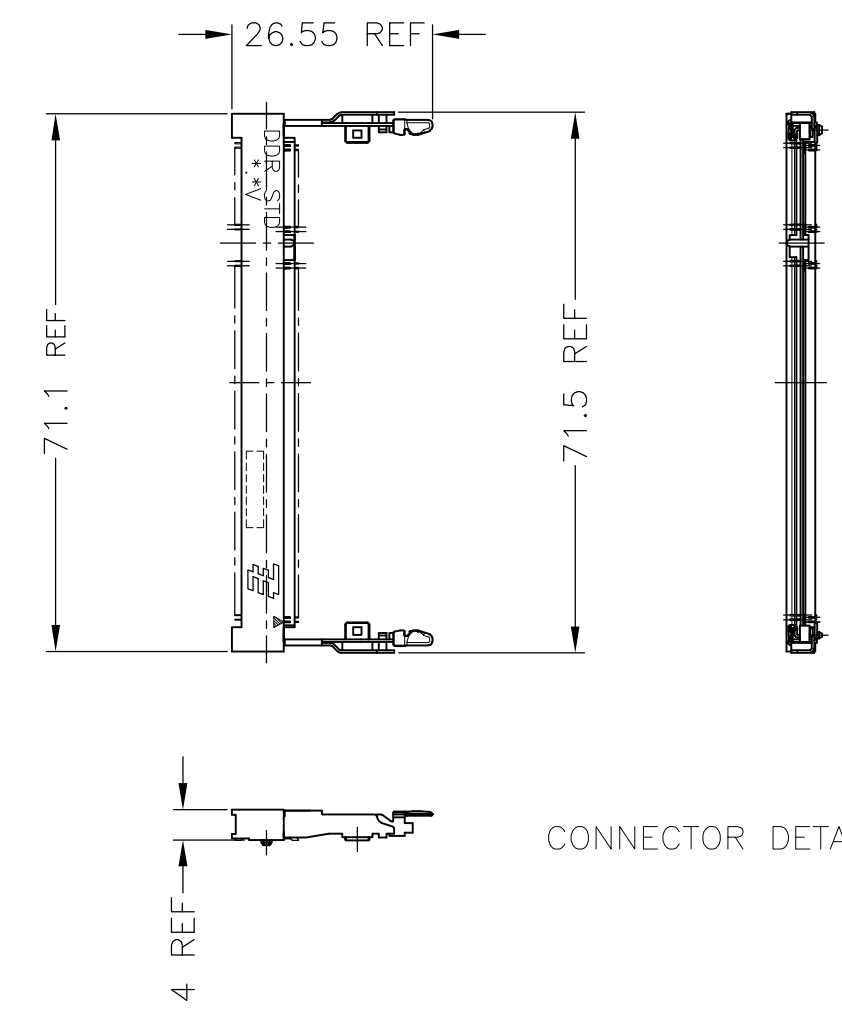
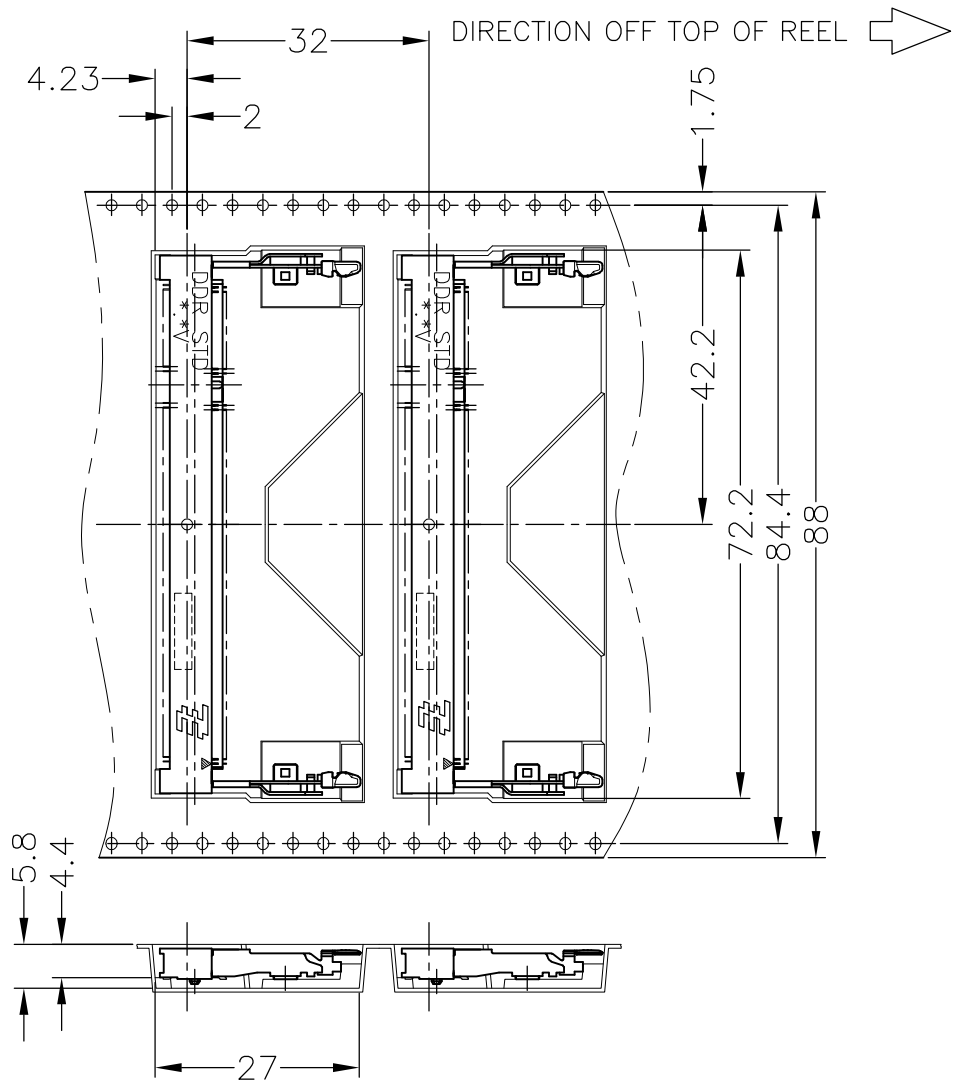
RECOMMENDED MATING P.C.B CONFIGURATION

31.75	1.8V	17.55	2.4	2.7
25.4	2.5V	18.45	1.5	1.8
H	POWER SUPPLY	D5	D4	D3

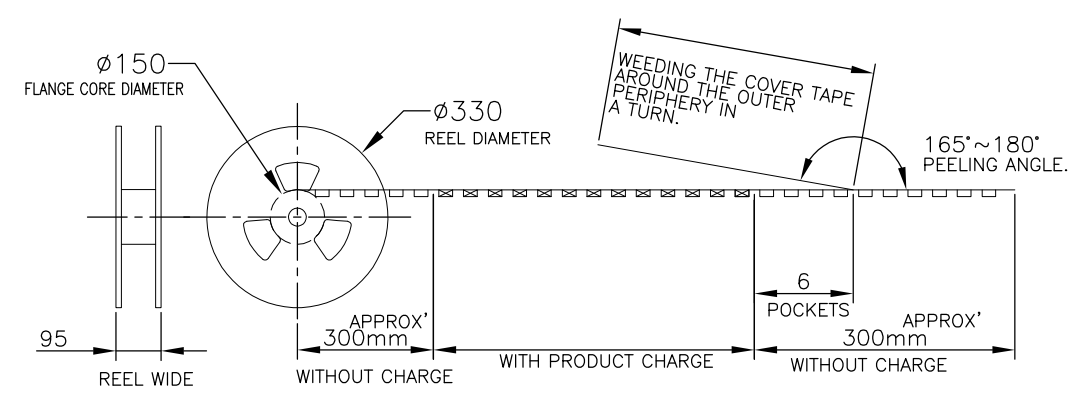
THIS DRAWING IS A CONTROLLED DOCUMENT.		DWN	TE Connectivity			
DIMENSIONS: MM		CHK				
TOLERANCES UNLESS OTHERWISE SPECIFIED:		APVD				
0 PLC ± 1 PLC ± 2 PLC ± 3 PLC ± 4 PLC ± ANGLES ± FINISH ±		NAME				
MATERIAL		PRODUCT SPEC	DDR1 & DDR2 SODIMM SOCKET 0.6mm PITCH 200POS LOW PROFILE STANDARD TYPE (LATCH DIRECT SOLDERING TYPE)			
		APPLICATION SPEC	SIZE	CAGE CODE	DRAWING NO	RESTRICTED TO
		WEIGHT	A3 00779 C-292406			
		CUSTOMER DRAWING	SCALE	SHEET	REV	
			2:1	3 OF 4	B3	

THIS DRAWING IS UNPUBLISHED. RELEASED FOR PUBLICATION NOV ,2004.
 © COPYRIGHT 2004 By - ALL RIGHTS RESERVED.

LOC	DIST	REVISIONS			
P	LTR	DESCRIPTION	DATE	DWN	APVD
ES		SEE SHEET 1	-	-	-



CONNECTOR DETAIL



AVAILABLE	200EA/EMBOSS	292406-5
AVAILABLE	200EA/EMBOSS	292406-4
TOOLING STATUS	QTY	P/N

THIS DRAWING IS A CONTROLLED DOCUMENT.		DWN	TE Connectivity					
DIMENSIONS: MM		CHK				NAME		
TOLERANCES UNLESS OTHERWISE SPECIFIED: 0 PLC ± 1 PLC ± 2 PLC ± 3 PLC ± 4 PLC ± ANGLES ± FINISH ±		APVD				DDR1 & DDR2 SODIMM SOCKET 0.6mm PITCH 200POS LOW PROFILE STANDARD TYPE (LATCH DIRECT SOLDERING TYPE)		
MATERIAL		PRODUCT SPEC				SIZE	CAGE CODE	DRAWING NO
		APPLICATION SPEC	A3 00779 C-292406					
		WEIGHT	RESTRICTED TO					
		CUSTOMER DRAWING	SCALE	SHEET	REV			
			1:1	4 OF 4	B3			