

8P1P YYY 2 0 0 YRB 01

SERIES 14.00 [0.551]
 # OF POSITIONS (Ex. 002) **SEE CHART A**
 2 = FEMALE
 SOLDER CUP (PANEL MOUNT)
 PLASTIC SHELL
 1 = GOLD FLASH
 RoHS COMPLIANT
 NUT "B" COLOR
 G = GREY
 A = BLUE
 J = YELLOW
 N = BLACK
 R = RED
 V = GREEN

CHARACTERISTICS

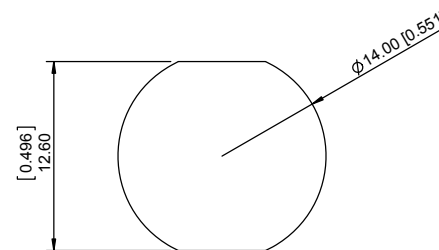
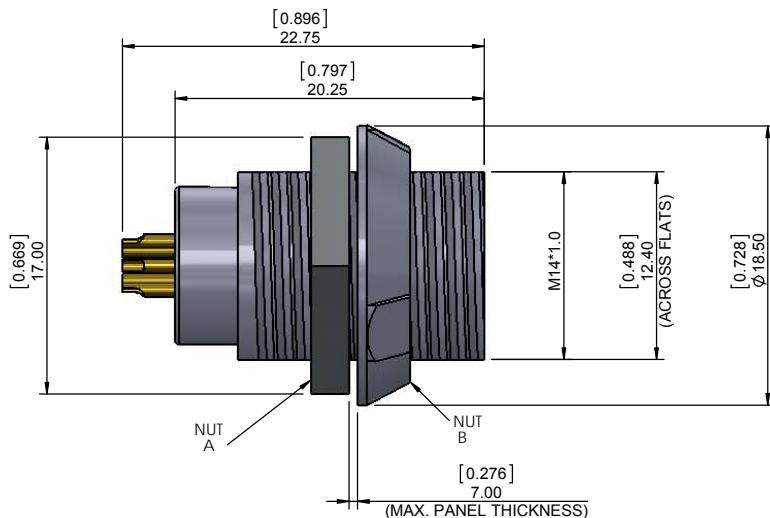
MATERIALS

HOUSING : ABS+PC
 HOUSING COLOR : GREY
 NUT A : BRASS
 NUT A PLATING : NICKEL
 CONTACTS : COPPER ALLOY
 CONTACT PLATING : 7µ" GOLD PLATED OVER 196µ" NICKEL MIN.
 INSULATOR : PPS (HIGH TEMPERATURE)

MECHANICAL

DURABILITY: 2000 CYCLES
 OPERATING TEMP. RANGE: -20°C ~ +120°C
 PROCESS TEMPERATURE : 260°C FOR 5 SECONDS
 MAX. TORQUE VALUE : 0.7 Nm [6.19 IN/lbs]

IP RATING: 50



PANEL CUTOUT

TOLERANCE = +0.10, -0.0
 [+0.004, -0.00]

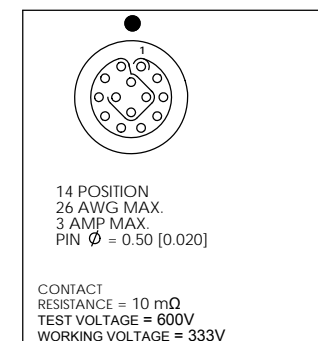


CHART A

● = KEY LOCATION

VIEW FROM TERMINATION END

 2 POSITION 22 AWG MAX. 10 AMP MAX. PIN Ø = 1.30 [0.051] CONTACT RESISTANCE = 5 mΩ TEST VOLTAGE = 1250V WORKING VOLTAGE = 500V	 3 POSITION 22 AWG MAX. 10 AMP MAX. PIN Ø = 1.30 [0.051] CONTACT RESISTANCE = 5 mΩ TEST VOLTAGE = 1250V WORKING VOLTAGE = 500V	 4 POSITION 22 AWG MAX. 8 AMP MAX. PIN Ø = 0.90 [0.035] CONTACT RESISTANCE = 6 mΩ TEST VOLTAGE = 1250V WORKING VOLTAGE = 500V	 5 POSITION 22 AWG MAX. 8 AMP MAX. PIN Ø = 0.90 [0.035] CONTACT RESISTANCE = 6 mΩ TEST VOLTAGE = 1100V WORKING VOLTAGE = 500V	 6 POSITION 24 AWG MAX. 6 AMP MAX. PIN Ø = 0.70 [0.028] CONTACT RESISTANCE = 7.5 mΩ TEST VOLTAGE = 1000V WORKING VOLTAGE = 450V	 7 POSITION 24 AWG MAX. 6 AMP MAX. PIN Ø = 0.70 [0.028] CONTACT RESISTANCE = 7.5 mΩ TEST VOLTAGE = 1000V WORKING VOLTAGE = 450V	 8 POSITION 24 AWG MAX. 5 AMP MAX. PIN Ø = 0.70 [0.028] CONTACT RESISTANCE = 7.5 mΩ TEST VOLTAGE = 875V WORKING VOLTAGE = 400V	 9 POSITION 26 AWG MAX. 3 AMP MAX. PIN Ø = 0.50 [0.020] CONTACT RESISTANCE = 10 mΩ TEST VOLTAGE = 600V WORKING VOLTAGE = 333V	 10 POSITION 26 AWG MAX. 3 AMP MAX. PIN Ø = 0.50 [0.020] CONTACT RESISTANCE = 10 mΩ TEST VOLTAGE = 600V WORKING VOLTAGE = 333V
---	---	--	--	--	--	---	--	---

RoHS COMPLIANT



THESE DRAWINGS AND SPECIFICATIONS ARE THE PROPERTY OF NorComp AND SHALL NOT BE REPRODUCED, COPIED OR USED AS THE BASIS FOR THE MANUFACTURE OR SALE OF APPARATUS WITHOUT WRITTEN PERMISSION.

NorComp

DRAWN: M. SIGMON	DATE: 07-29-16	SCALE: N.T.S.	SHEET 1 OF 1	REV: 1
CHECKED:	DATE:		DWG NO. 8P1PYYY200YRB01	