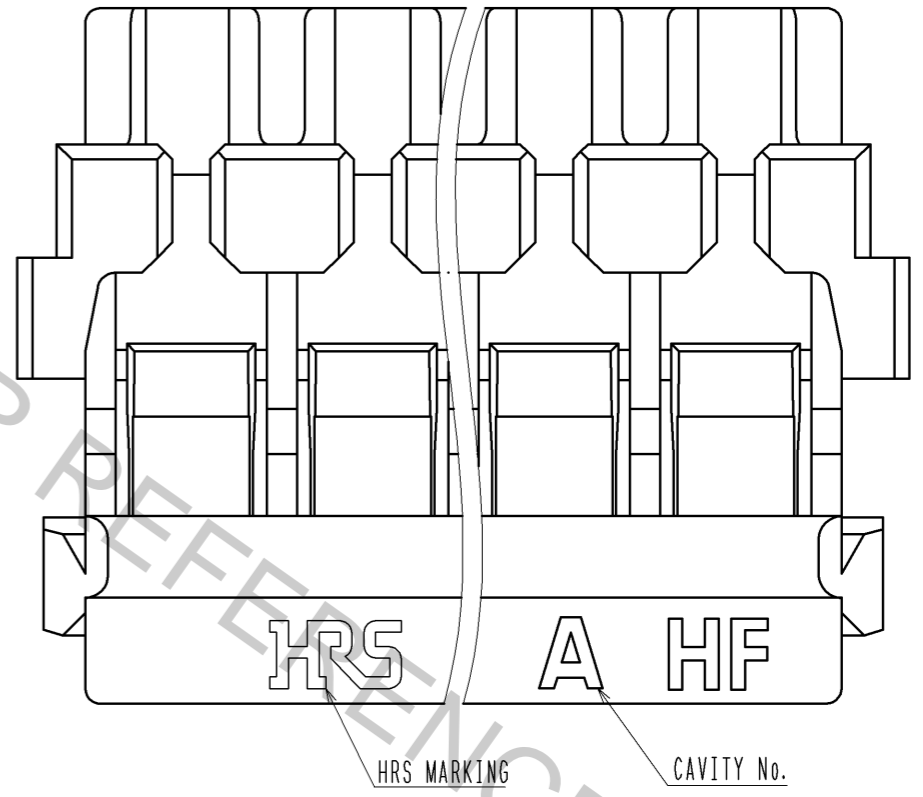
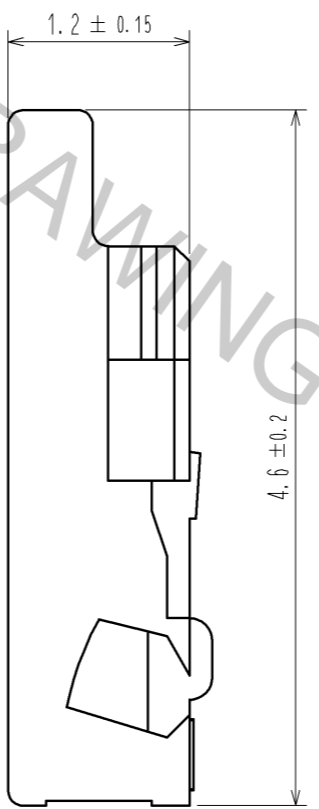
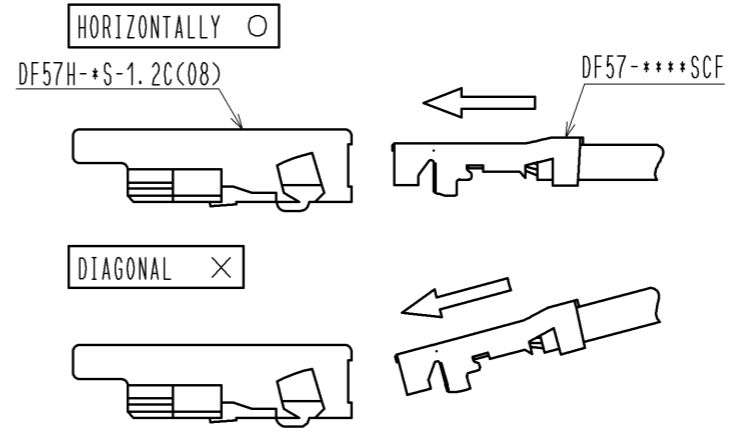


1 FIGURE OF INSERTION



NOTE 1 AVOID ANGLED INSERTION OF CRIMP CONTACT(DF57-****SCF) TO MAINTAIN PERFORMANCE RELIABILITY.

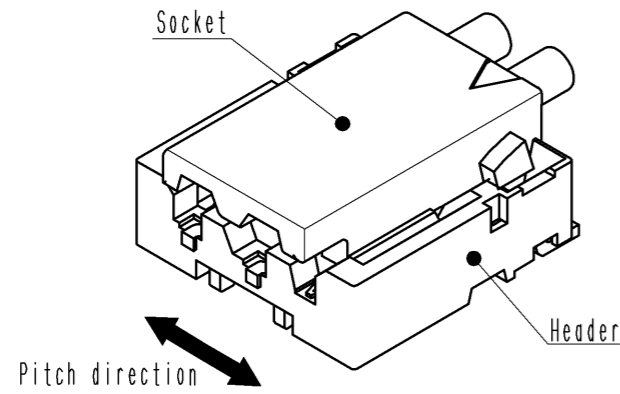
CODE No.	PART No.	NUMBER OF CONTACTS	A	B	C	D	D
CL666-0100-6-08	DF57H-2S-1.2C(O8)	2	1.2	3.5	2.98	2.6	3.15
CL666-0012-0-08	DF57H-3S-1.2C(O8)	3	2.4	4.7	4.18	3.8	4.35
△ CL666-0101-9-08	DF57H-4S-1.2C(O8)	4	3.6	5.9	5.38	5.0	5.55
△ CL666-0102-1-08	DF57H-5S-1.2C(O8)	5	4.8	7.1	6.58	6.2	6.75
△ CL666-0103-4-08	DF57H-6S-1.2C(O8)	6	6.0	8.3	7.78	7.4	7.95

部番	材質	処理、備考	1	LCP	UL94V-0, NATURAL(BEIGE)
UNITS mm		SCALE 20:1	△の数 2	訂正記事 DIS-H-008103	設計 TS. KUMAZAWA
承認: KI. AKIYAMA 12.11.21			検図: HK. UMEHARA 12.11.21		
設計: TS. KUMAZAWA 12.11.21			製図: TS. KUMAZAWA 12.11.21		
HRS HIROSE ELECTRIC CO., LTD.			図番: EDC3-349275-01		
			製品名: DF57H-*S-1.2C(O8)		
			製品コード: CL666-		

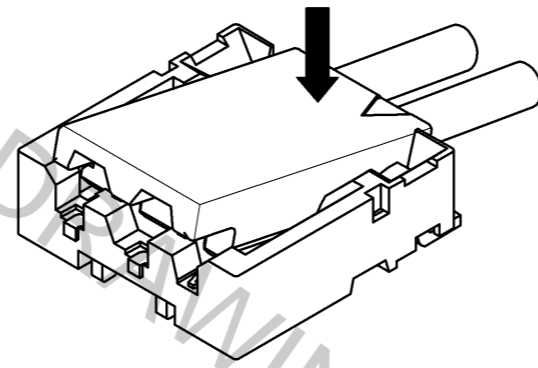
DF57 Series Mating / Unmating Operation Instruction

Mating

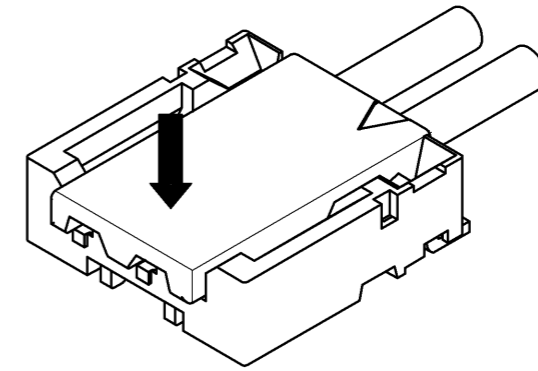
① By positioning the convexity of the socket sides to the header concavity, align the centers of the socket and the header in pitch direction.



② Slightly press the socket down at cable side to tilted angle.

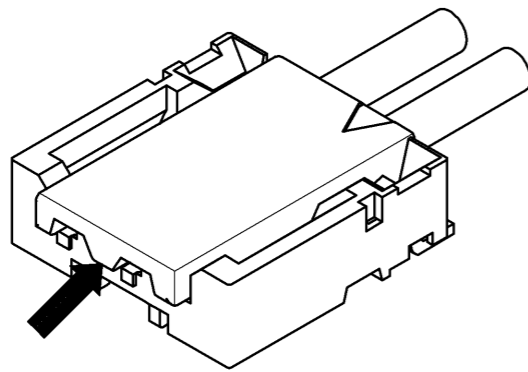


③ Press down at the lever side with stabilizing the cable side to insert. Mating completes.

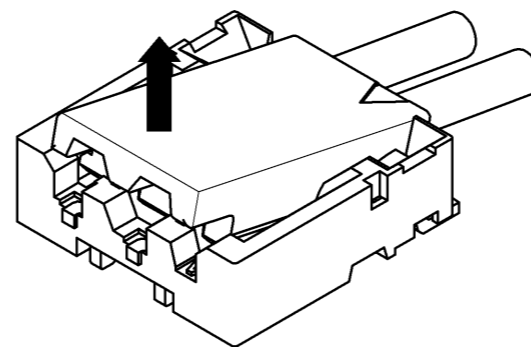


Unmating

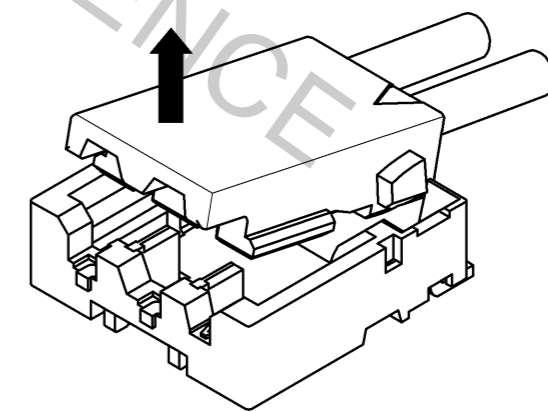
① Hook the lever with finger nail.



② Lift up to the upper direction and friction lock is released.



③ Lift up to the upper direction and positive lock is released. Removal completes.



HRS

DRAWING NO.	EDC3-349275-01
PART NO.	DF57H-*S-1.2C<08>
CODE NO.	CL666-

2/2