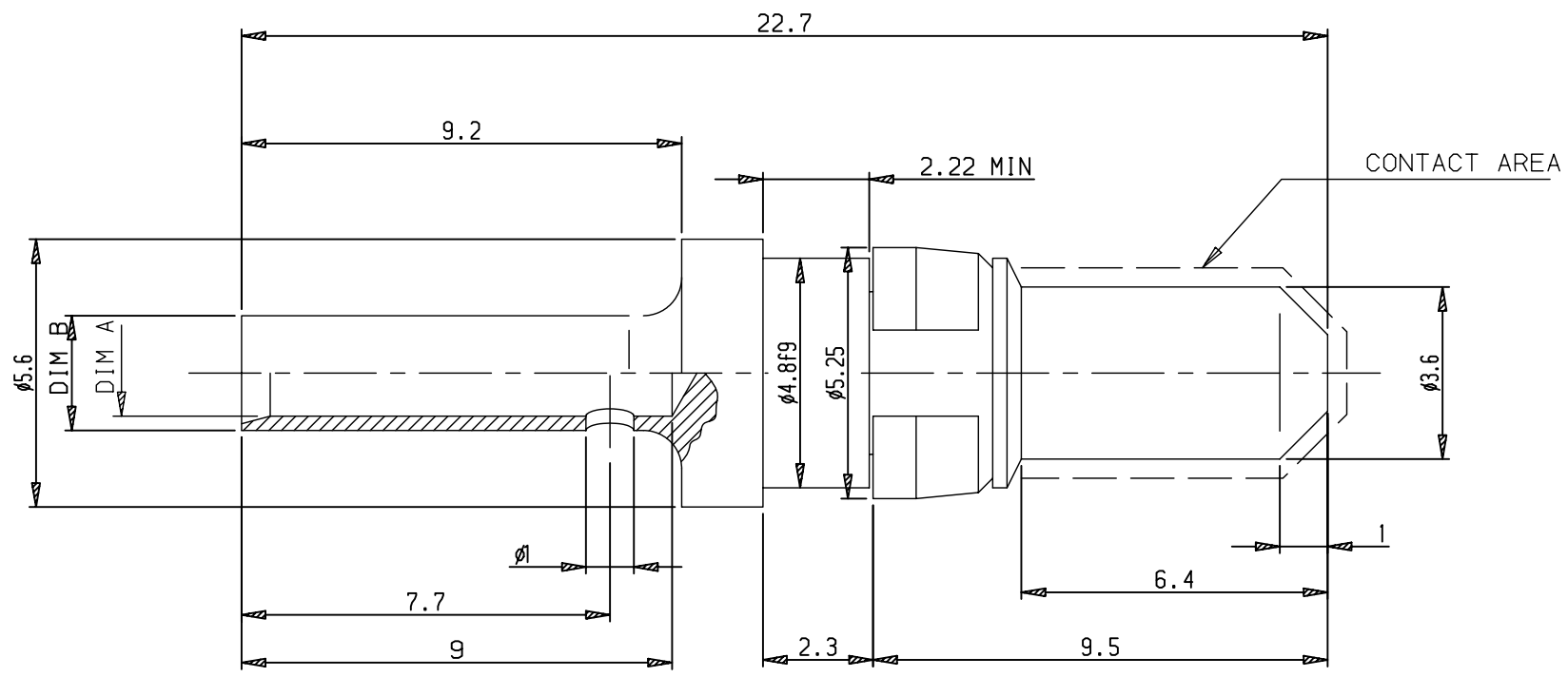


LEAD-FREE P/N	CURRENT RATING	DIM A	DIM B
77428-X41LF	40A	∅4.8	∅5.6
77428-X31LF	30A	∅3.5	∅4.4
77428-X21LF	20A	∅2.8	∅3.7
77428-X11LF	10A	∅1.7	∅2.55



1. UNDERPLATING NI.
2. DIM. ACC. DIN 41626.
3. THIS PRODUCT WITH "LF" SUFFIX MEETS EUROPEAN UNION DIRECTIVES AND OTHER COUNTRY REGULATIONS AS DESCRIBED IN GS -22-008.
4. THE PRODUCT IS NOT INTENDED TO BE EXPOSED TO A MANUFACTURING SOLDER PROCESS.
5. PACKAGING SPEC: SEE GS-14-920

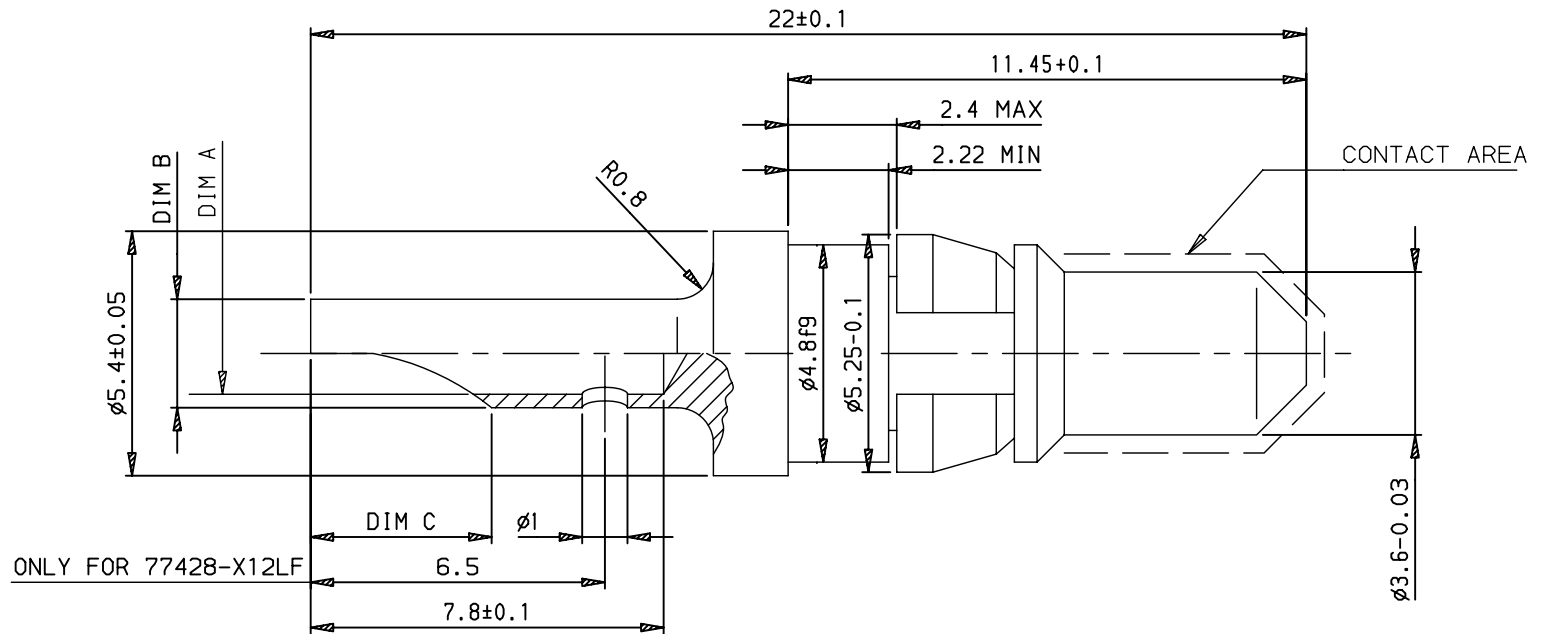
Copyright FCI. FCJ

1	1.3 um Au MIN
PLATING CODE X	CONTACT AREA

rev	ecn no	dr	date
H	LS06-0022	LGO	2006/03/06
J	LS07-0214	LGO	2007/08/20
K	LS07-0249	LGO	2007/10/08
-	-	-	-
-	-	-	-
-	-	-	-

www.fciconnect.com		surface ISO 1302 ✓	tolerance std ISO 406 ISO 1101	projection ⊕	mm
TOLERANCES UNLESS OTHERWISE SPECIFIED					
Dr	GOISNARD	2006/03/06	ANGULAR	0.X ±0.1	size A3 Scale 10
Eng	GOISNARD	2006/03/06	LINEAR	0.XX ±0.1	ECN LS07-0249
Chr	LEGARE	2006/03/06	0.XX' ±2'	0.XXX ±0.1	Spec ref -
Appr	LEGARE	2006/03/06	Product family BACKPANEL		
FCJ			POWER INSERT		dwg no 77428
			MALE STRAIGHT C.T.W		Rev. K
			catalog no -		CUSTOMER sheet 1 of 7

LEAD-FREE P/N	CURRENT RATING	DIM A	DIM B	DIM C
77428-X42LF	40A	∅4.8	∅5.6	5.2
77428-X32LF	30A	∅3.5	∅4.4	5.2
77428-X22LF	20A	∅2.8	∅3.7	4
77428-X12LF	10A	∅1.7	∅2.55	3



NOTES:

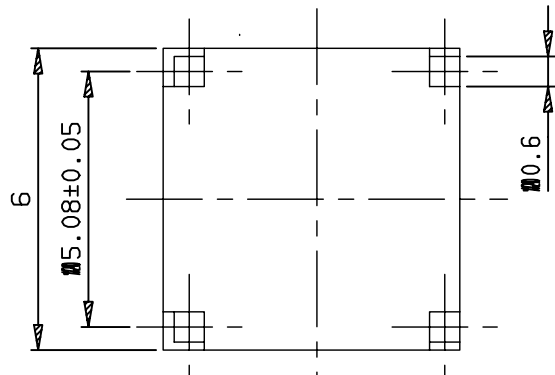
1. UNDERPLATING NI.
2. DIM. ACC. DIN 41626.
3. GEN. TOL.±0.10
4. THIS PRODUCT WITH "LF" SUFFIX MEETS EUROPEAN UNION DIRECTIVES AND OTHER COUNTRY REGULATIONS AS DESCRIBED IN GS -22-008.
5. THE PRODUCT IS NOT INTENDED TO BE EXPOSED TO A MANUFACTURING SOLDER PROCESS.
6. PACKAGING SPEC: SEE GS-14-920

1	1.3 µm Au MIN
PLATING CODE X	CONTACT AREA

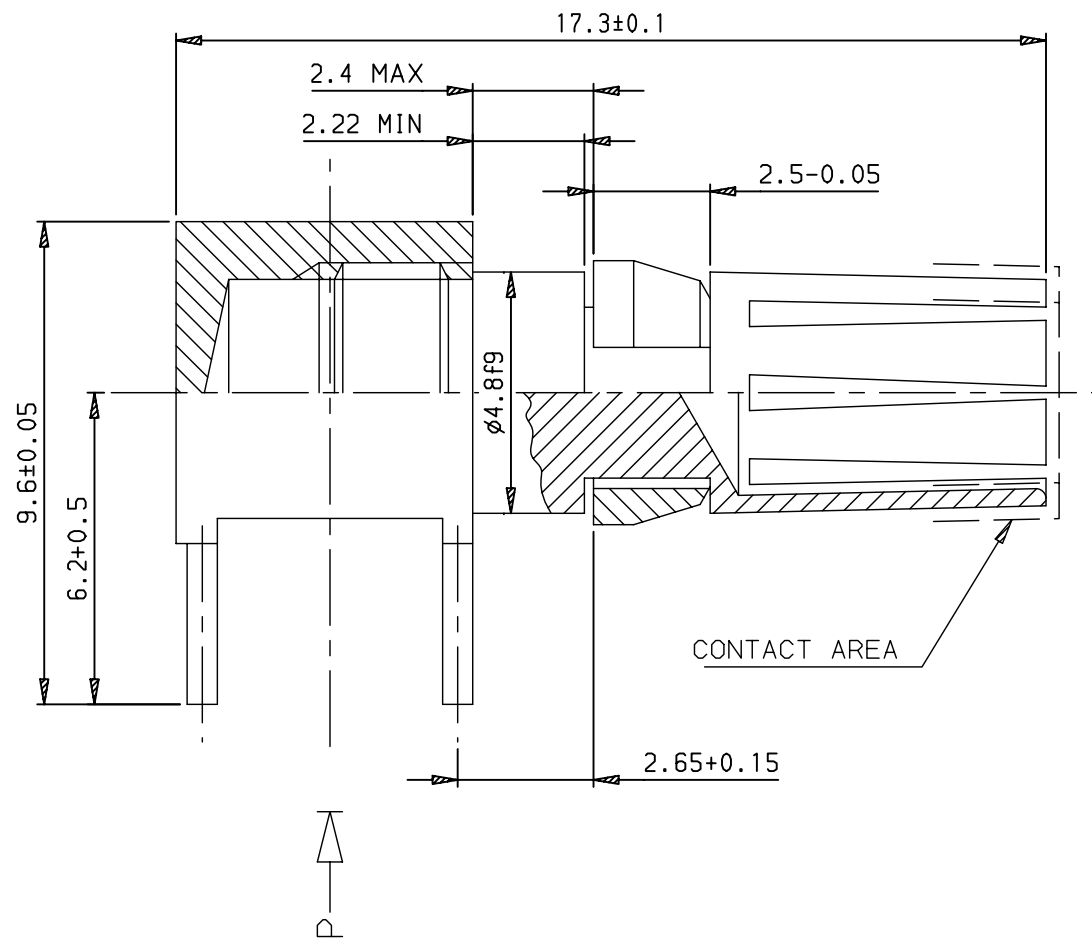
European Views

www.fciconnect.com		surface ISO 1302 ✓	tolerance std ISO 406 ISO 1101	projection ⊕	mm
TOLERANCES UNLESS OTHERWISE SPECIFIED					
Dr	GOISNARD	2006/03/06	ANGULAR	0.X ±0.1	size A3
Eng	GOISNARD	2006/03/06	LINEAR	0.XX ±0.1	Scale 9
Chr	LEGARE	2006/03/06	0.XX' ±2'	0.XXX ±0.1	ECN LS07-0249
Appr	LEGARE	2006/03/06	Product family	BACKPANEL	Spec ref -
FCj		title POWER INSERT MALE STRAIGHT S.T.W		dwg no 77428	Rev. K
catalog no		-		CUSTOMER	sheet 2 of 7

LEAD-FREE P/N
77428-X03LF



VIEW P



CONTACT AREA

NOTES:

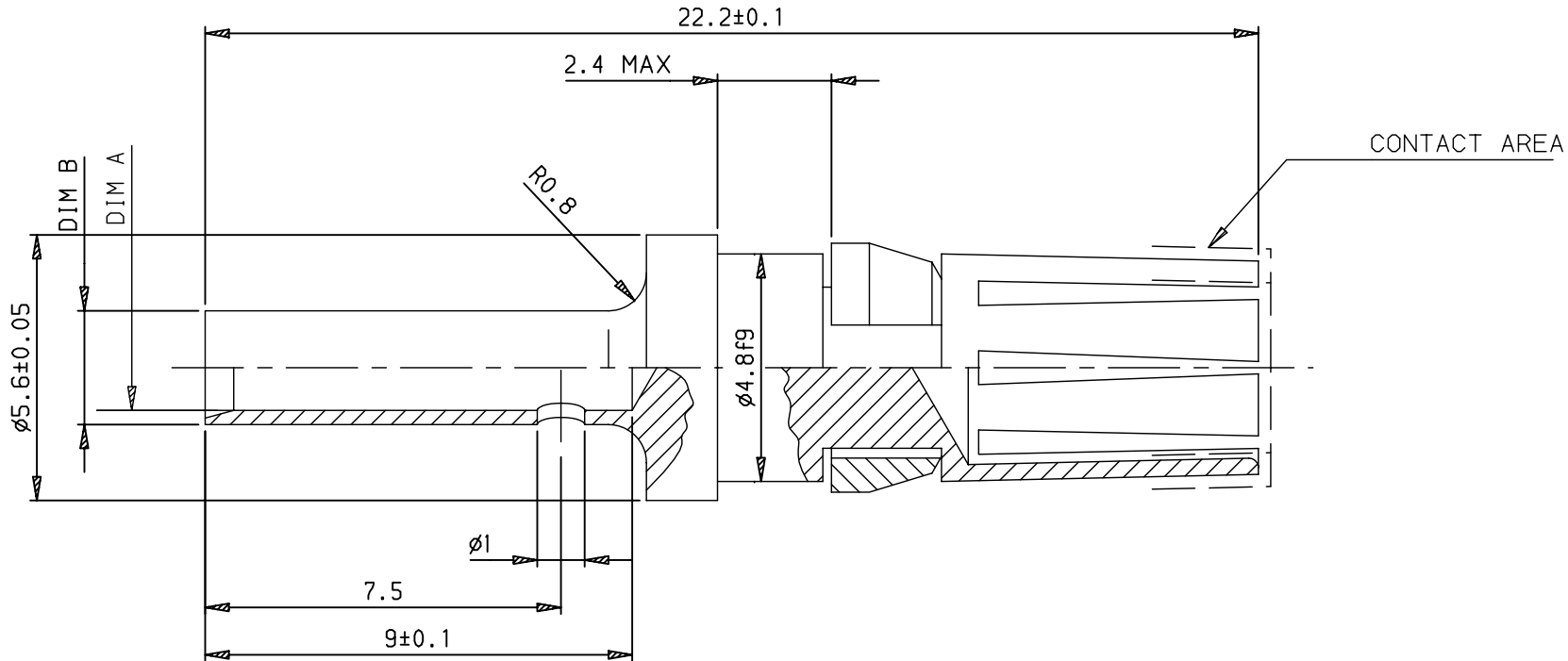
1. UNDERPLATING NI.
2. DIM. ACC. DIN 41626.
3. GEN. TOL.±0.10
- 5 THIS PRODUCT WITH "LF" SUFFIX MEETS EUROPEAN UNION DIRECTIVES AND OTHER COUNTRY REGULATIONS AS DESCRIBED IN GS -22-008.
- 6 THE HOUSING WILL WITHSTAND EXPOSURE TO 260 DEGREE PEAK TEMPERATURE FOR 20 SECONDS IN WAVE SOLDER APPLICATION WITH A 1.6 MM MINIMUM THICK CIRCUIT BOARD.
7. PACKAGING SPEC: SEE GS-14-920

2	0.8 μm Au MIN
1	1.3 μm Au MIN
PLATING CODE X	CONTACT AREA

European Views

www.fciconnect.com		surface ISO 1302 ✓	tolerance std ISO 406 ISO 1101	projection ⊕	mm
TOLERANCES UNLESS OTHERWISE SPECIFIED					
Dr	GOISNARD	2006/03/06	ANGULAR	0.X ±0.1	size A3
Eng	GOISNARD	2006/03/06	LINEAR	0.XX ±0.1	Scale 10
Chr	LEGARE	2006/03/06	0.XX' ±2'	0.XXX ±0.1	ECN LS07-0249
Appr	LEGARE	2006/03/06	Product family	BACKPANEL	Spec ref -
FCj		title POWER INSERT		dwg no	Rev.
		FEMALE R.A. S.T.B		77428	K
catalog no		-		CUSTOMER	sheet 3 of 7

LEAD-FREE P/N	CURRENT RATING	DIM A	DIM B
77428-X44LF	40A	∅4.8	∅5.6
77428-X34LF	30A	∅3.5	∅4.4
77428-X24LF	20A	∅2.8	∅3.7
77428-X14LF	10A	∅1.7	∅2.55



NOTES:

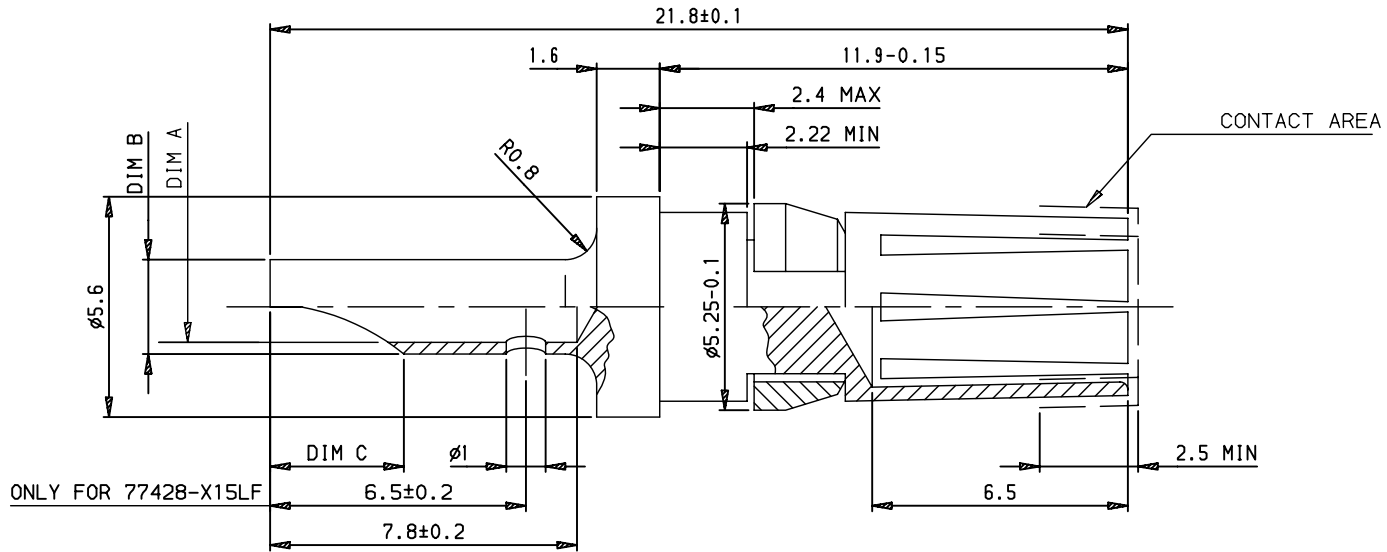
1. UNDERPLATING NI.
2. DIM. ACC. DIN 41626. UNLESS OTHERWISE STATED
3. GEN. TOL.±0.10
4. THIS PRODUCT WITH "LF" SUFFIX MEETS EUROPEAN UNION DIRECTIVES AND OTHER COUNTRY REGULATIONS AS DESCRIBED IN GS -22-008.
5. THE PRODUCT IS NOT INTENDED TO BE EXPOSED TO A MANUFACTURING SOLDER PROCESS.
6. PACKAGING SPEC: SEE GS-14-920

1	1.3 µm Au MIN
PLATING CODE X	CONTACT AREA

www.fciconnect.com		surface ISO 1302 ✓	tolerance std ISO 406 ISO 1101	projection ⊕	mm
TOLERANCES UNLESS OTHERWISE SPECIFIED					
Dr	GOISNARD	2006/03/06	ANGULAR	0.X ±0.1	size A3
Eng	GOISNARD	2006/03/06	LINEAR	0.XX ±0.1	Scale 10
Chr	LEGARE	2006/03/06	0.XX' ±2'	0.XXX ±0.1	ECN LS07-0249
Appr	LEGARE	2006/03/06	Product family	BACKPANEL	Spec ref -
FCj		POWER INSERT		dwg no	77428
		FEMALE STRAIGHT C.T.W		Rev.	K
catalog no		-		CUSTOMER	sheet 4 of 7

REV F - 2006-04-17

LEAD-FREE P/N	CURRENT RATING	DIM A	DIM B	DIM C
77428-X45LF	40A	∅4.8	∅5.6	5.2
77428-X35LF	30A	∅3.5	∅4.4	5.2
77428-X25LF	20A	∅2.8	∅3.7	4
77428-X15LF	10A	∅1.7	∅2.55	3



NOTES:

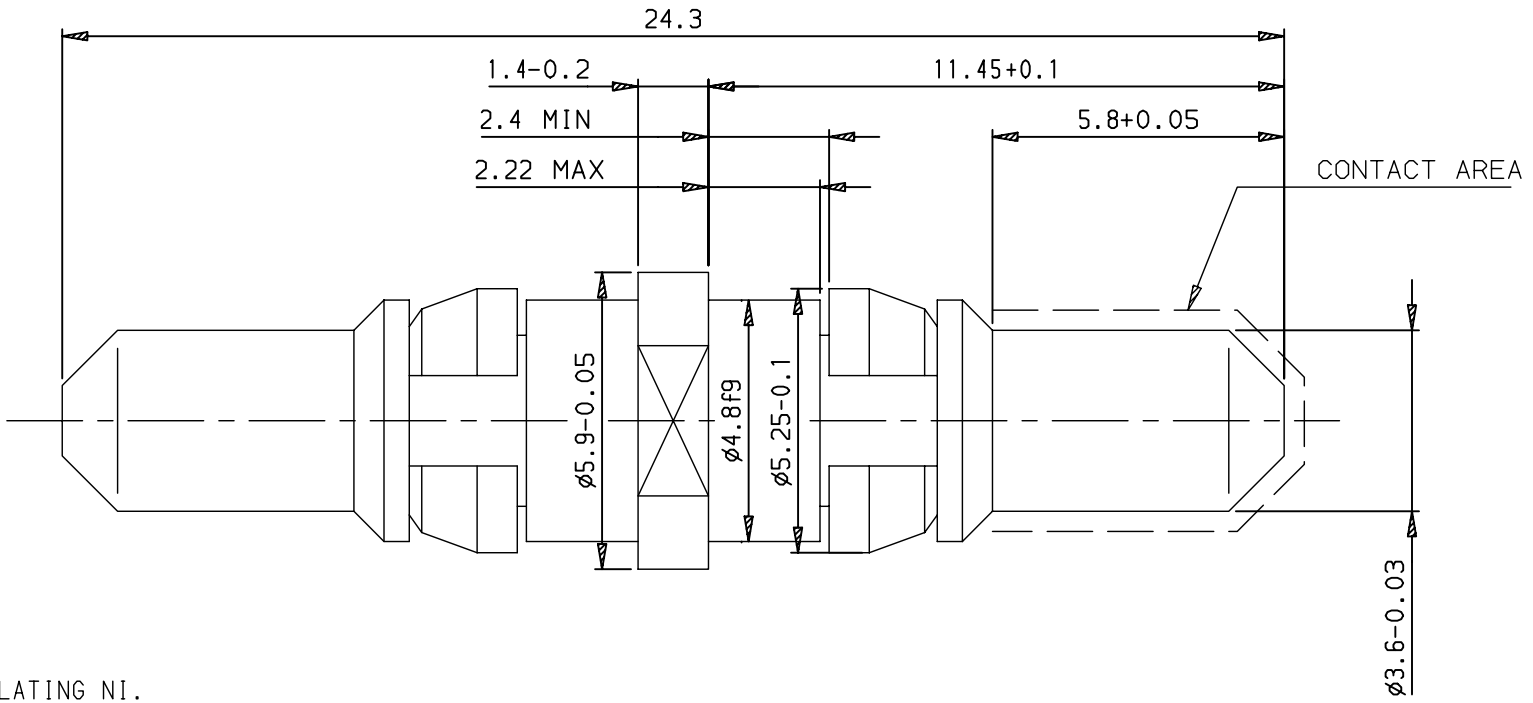
1. UNDERPLATING NI.
2. DIM. ACC. DIN 41626.
3. GEN. TOL. ±0.10
4. THIS PRODUCT WITH "LF" SUFFIX MEETS EUROPEAN UNION DIRECTIVES AND OTHER COUNTRY REGULATIONS AS DESCRIBED IN GS -22-008.
5. THE PRODUCT IS NOT INTENDED TO BE EXPOSED TO A MANUFACTURING SOLDER PROCESS.
6. PACKAGING SPEC: SEE GS-14-920

1	1.3 μm Au MIN
PLATING CODE X	CONTACT AREA

European Views

www.fciconnect.com		surface ISO 1302 ✓	tolerance std ISO 406 ISO 1101	projection A3	mm
TOLERANCES UNLESS OTHERWISE SPECIFIED					
Dr	GOISNARD	2006/03/06	ANGULAR	0.X ±0.1	size A3 Scale 6
Eng	GOISNARD	2006/03/06	LINEAR	0.XX ±0.1	
Chr	LEGARE	2006/03/06	0.XX' ±2'	0.XXX ±0.1	ECN LS07-0249
Appr	LEGARE	2006/03/06	Product family	BACKPANEL	Spec ref -
FCj		title POWER INSERT FEMALE STRAIGHT S.T.W		dwg no 77428	Rev. K
		catalog no	CUSTOMER		sheet 5 of 7

LEAD-FREE P/N
77428-X06LF



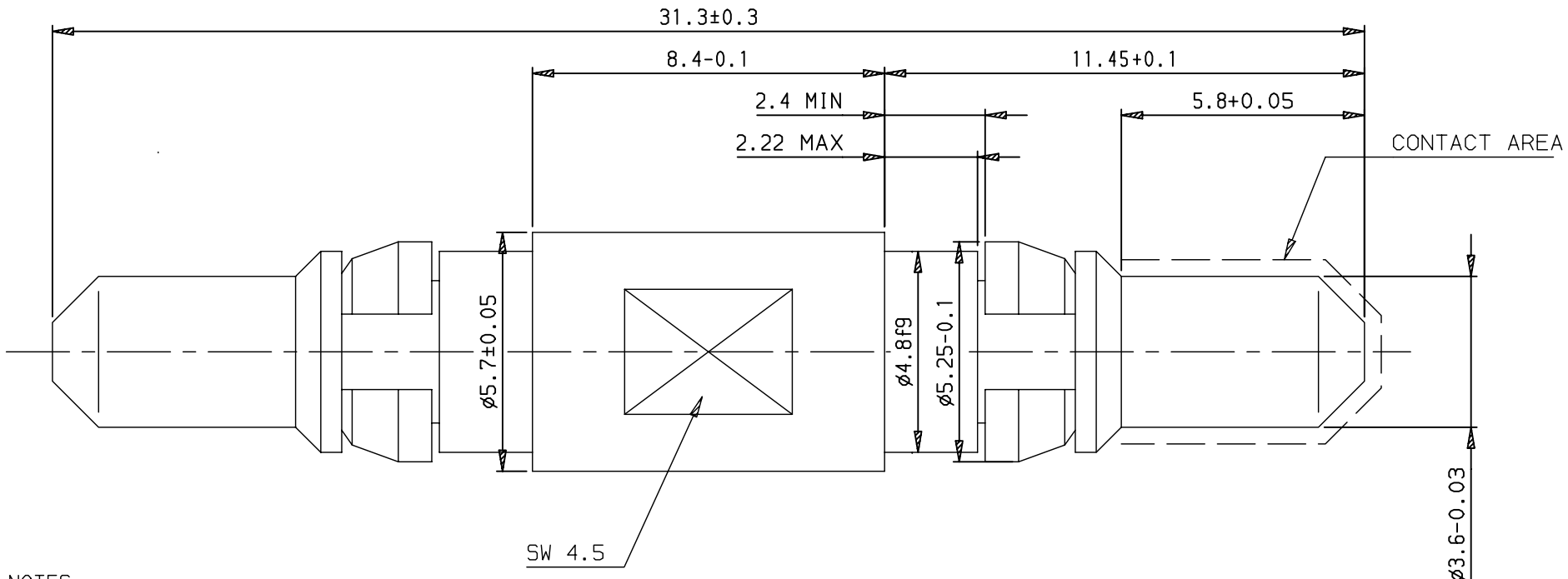
NOTES:

1. UNDERPLATING NI.
2. DIM. ACC. DIN 41626.
3. GEN. TOL. ±0.10
4. THIS PRODUCT WITH "LF" SUFFIX MEETS EUROPEAN UNION DIRECTIVES AND OTHER COUNTRY REGULATIONS AS DESCRIBED IN GS -22-008.
5. THE PRODUCT IS NOT INTENDED TO BE EXPOSED TO A MANUFACTURING SOLDER PROCESS.
6. PACKAGING SPEC: SEE GS-14-920

1	1.3 μm Au MIN
PLATING CODE X	CONTACT AREA

www.fciconnect.com		surface ISO 1302 ✓	tolerance std ISO 406 ISO 1101	projection A3	mm
TOLERANCES UNLESS OTHERWISE SPECIFIED					
Dr	GOISNARD	2006/03/06	ANGULAR	0.X	±0.1
Eng	GOISNARD	2006/03/06	LINEAR	0.XX	±0.1
Chr	LEGARE	2006/03/06	0.XX' ±2'	0.XXX	±0.1
Appr	LEGARE	2006/03/06	Product family	BACKPANEL	Spec ref -
			POWER COUPLER MALE SHORT		title 77428 catalog no -
			Rev. K		sheet 6 of 7

LEAD-FREE P/N
77428-X07LF



- NOTES:
1. UNDERPLATING NI.
 2. DIM. ACC. DIN 41626.
 3. GEN. TOL.±0.10
 4. THIS PRODUCT WITH "LF" SUFFIX MEETS EUROPEAN UNION DIRECTIVES AND OTHER COUNTRY REGULATIONS AS DESCRIBED IN GS -22-008.
 5. THE PRODUCT IS NOT INTENDED TO BE EXPOSED TO A MANUFACTURING SOLDER PROCESS.
 6. PACKAGING SPEC: SEE GS-14-920

1	1.3 µm Au MIN
PLATING CODE X	CONTACT AREA

European Views

www.fciconnect.com		surface ISO 1302 ✓	tolerance std ISO 406 ISO 1101	projection mm
TOLERANCES UNLESS OTHERWISE SPECIFIED				
Dr	GOISNARD	2006/03/06	ANGULAR	0.X ±0.1
Eng	GOISNARD	2006/03/06	LINEAR	0.XX ±0.1
Chr	LEGARE	2006/03/06	0.XX' ±2'	0.XXX ±0.1
Appr	LEGARE	2006/03/06	Product family	BACKPANEL
			size	A3
			Scale	10
			ECN	LS07-0249
			Spec ref	-
		POWER COUPLER MALE LONG		Rev. K
catalog no		-		dwg no 77428
		CUSTOMER		sheet 7 of 7

REV F - 2006-04-17