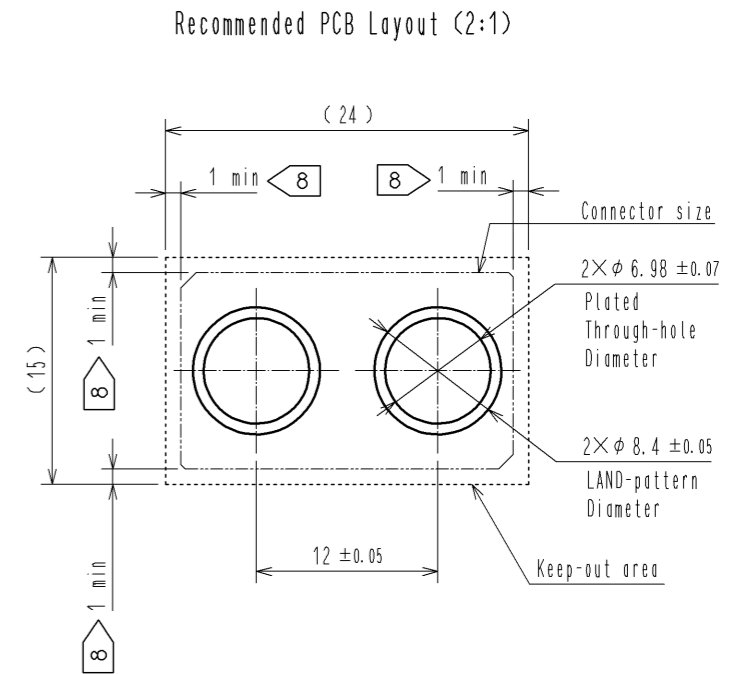
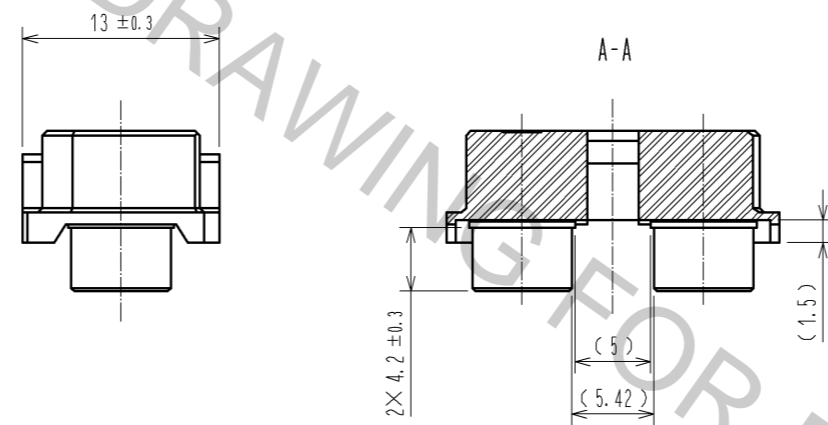
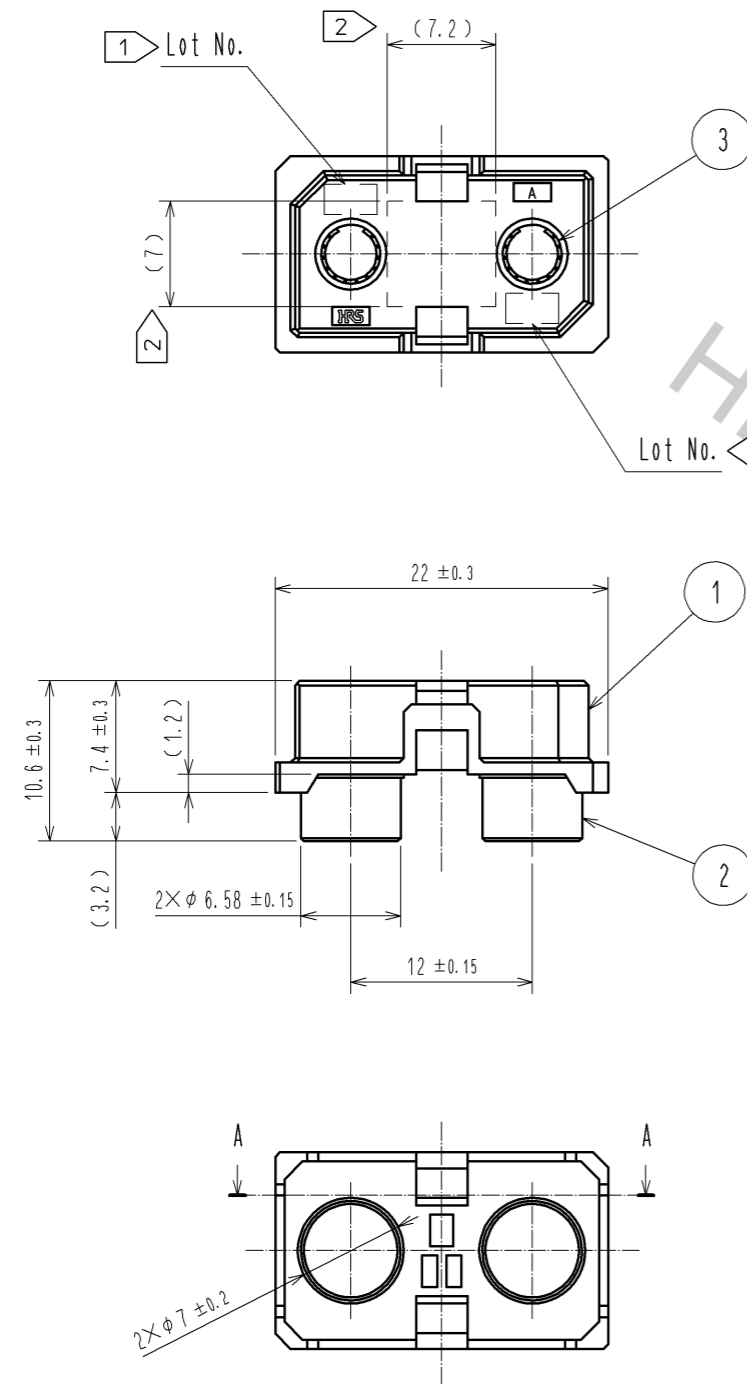


Aug.1.2018 Copyright 2018 HIROSE ELECTRIC CO., LTD. All Rights Reserved.
 In case that the application demands a high level of reliability, such as automotive,
 please contact a company representative for further information.

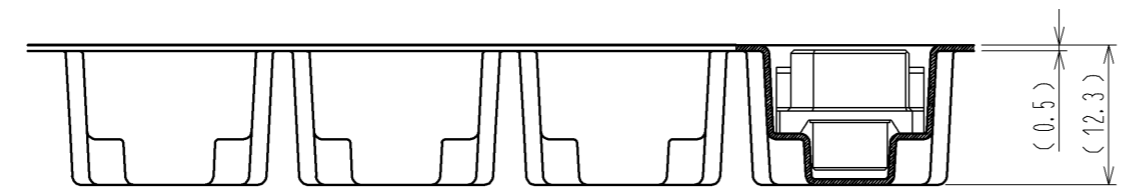
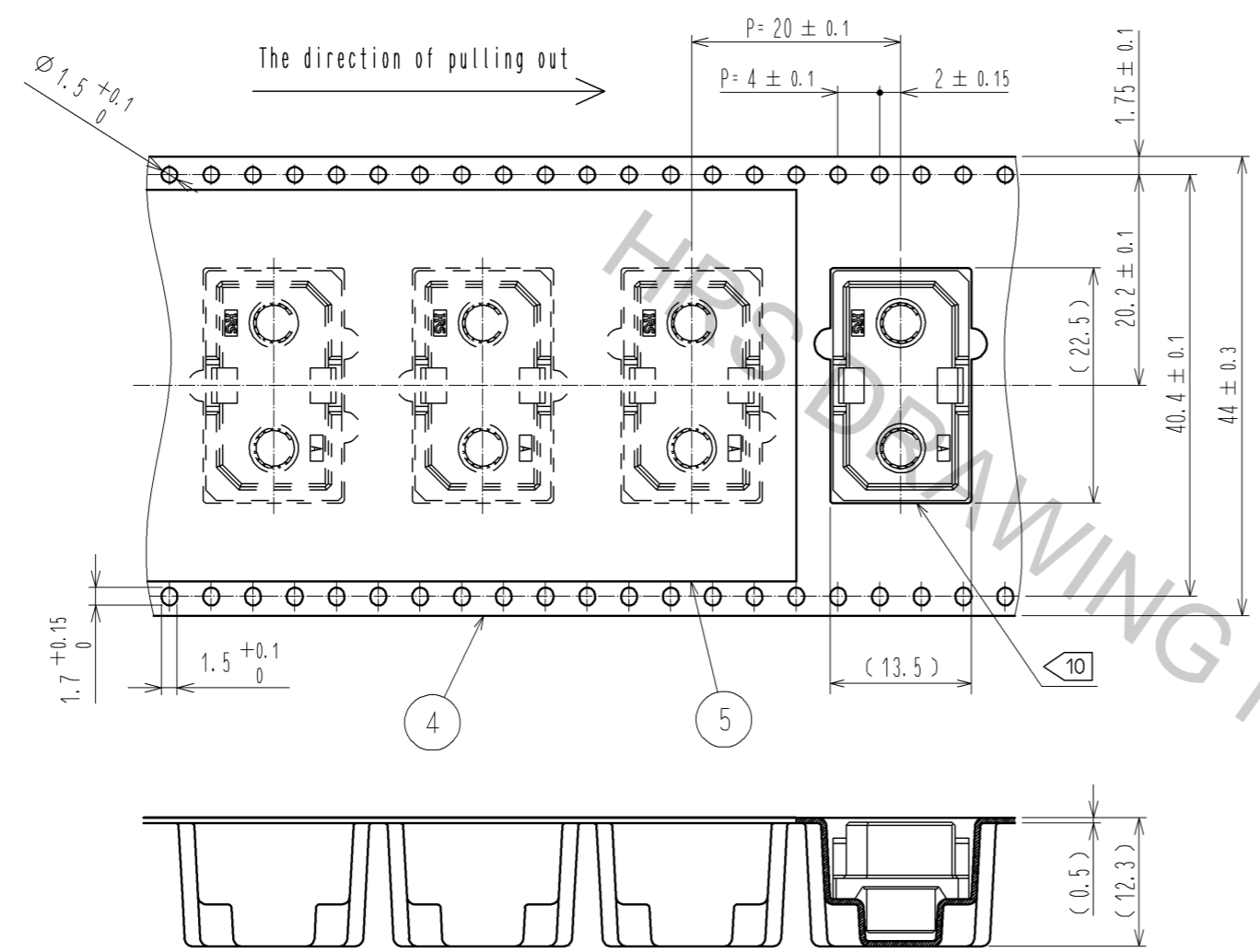


- Note.
- 1 The lot number is marked in this area. It may be marked on one or both areas.
 - 2 This area is vacuum pickup area.
 - 3 The dimensions in parentheses are for reference.
 - 4 Manufacturing process could leave scratch and/or punch marks, but they have no effect on the product performance. And the dark spots might occasionally occur on molded plastic.
 - 5 Since silver plating is used for this product, if it is left in the atmosphere for a long time, plating may become drab.
 - 6 Since this product is point symmetry, direction of mounting does not have a rule.
 - 7 This product is RoHS compliant.
 - 8 Please do not mount other devices in this area.
 - 9 Packing for this product is embossed carrier tape packing. (250pcs/RL)

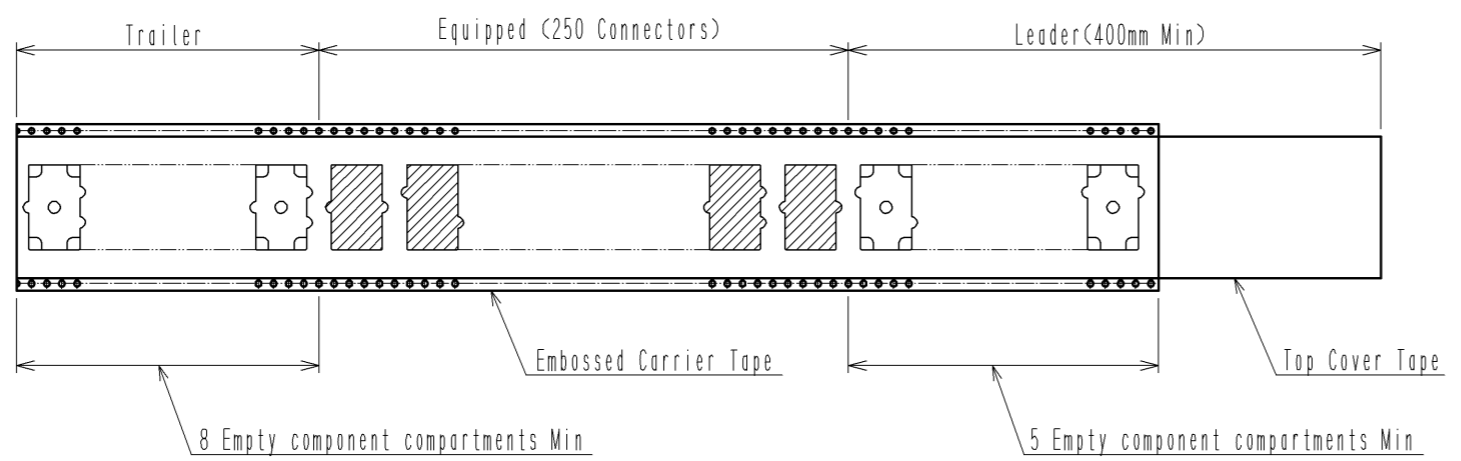
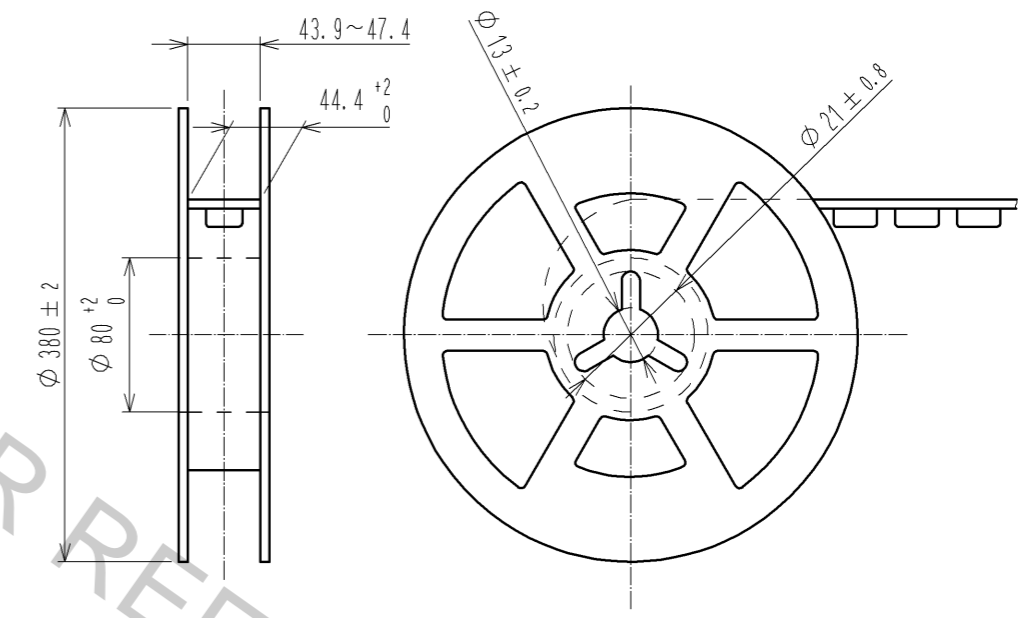
2	Brass	Over Plating : Silver 5.1 μ m Under Plating : Nickel 1.3 μ m	5	Polyester	(Top Cover Tape)
1	LCP	Gray UL94V-0	4	Polystyrene	(Embossed Carrier Tape)
			3	Copper alloy	Contact Area : Gold 0.76 μ m Under Plating : Nickel 1.3 μ m
NO.	MATERIAL	FINISH . REMARKS	NO.	MATERIAL	FINISH . REMARKS
UNITS mm		SCALE 2 : 1	COUNT 	DESCRIPTION OF REVISIONS	
APPROVED : HS. OKAWA 11.12.16			DRAWING NO. EDC3-339734-00		
CHECKED : KI. HIROKAWA 11.12.15			PART NO. IT-PD-2S-DIR		
DESIGNED : KN. SHIBUYA 11.12.15			CODE NO. CL636-0601-0-00		
DRAWN : KN. SHIBUYA 11.12.15					

Aug.1.2018 Copyright 2018 HIROSE ELECTRIC CO., LTD. All Rights Reserved.
 In case that the application demands a high level of reliability, such as automotive,
 please contact a company representative for further information.

Drawing For Packing (Free)



Reeling Dimension (Free)



Note. 10 The insertion direction of a connector may change.

HRS	DRAWING NO.	EDC3-339734-00	△ 2/2
	PART NO.	IT-PD-2S-DIR	
	CODE NO.	CL636-0601-0-00	