

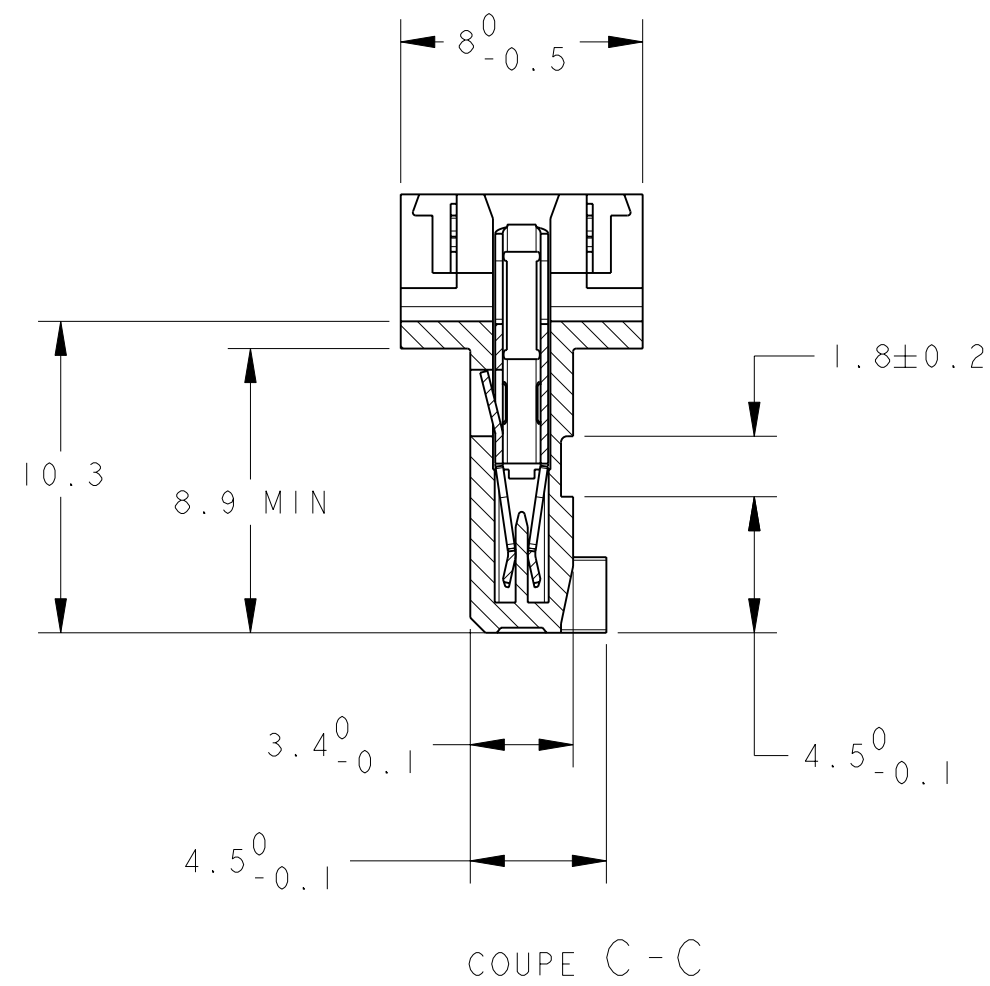
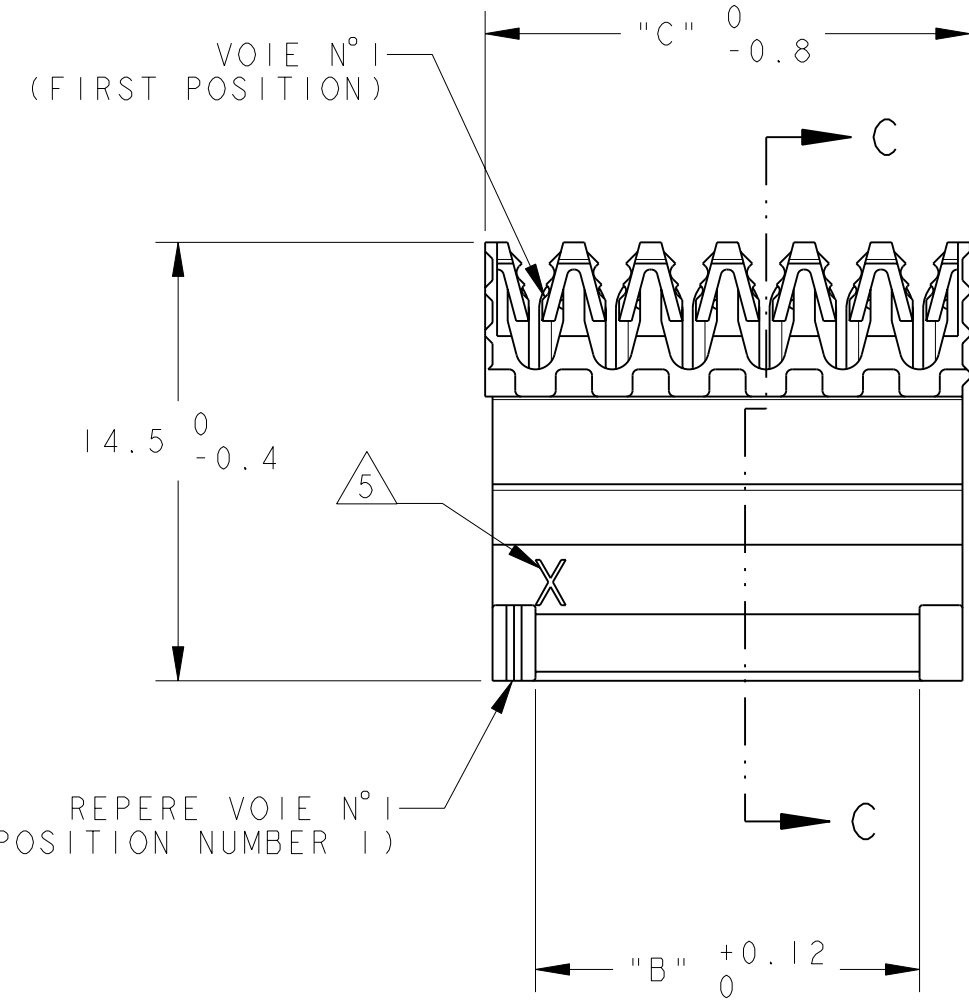
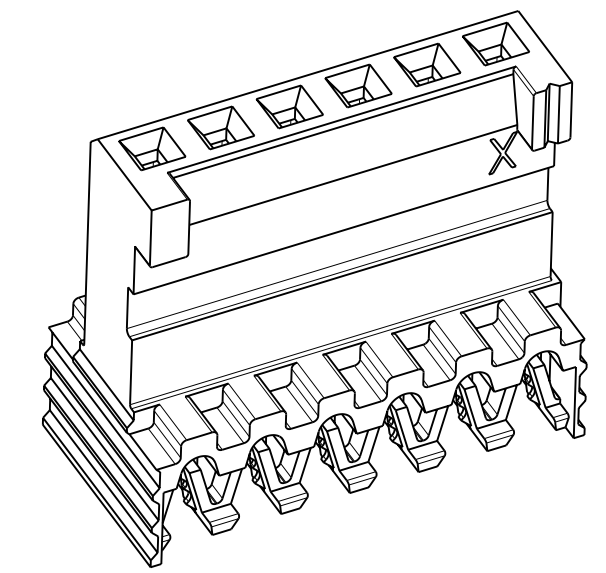
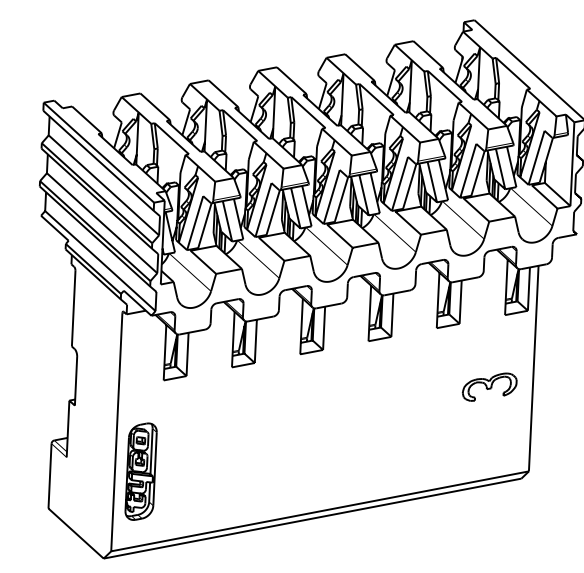
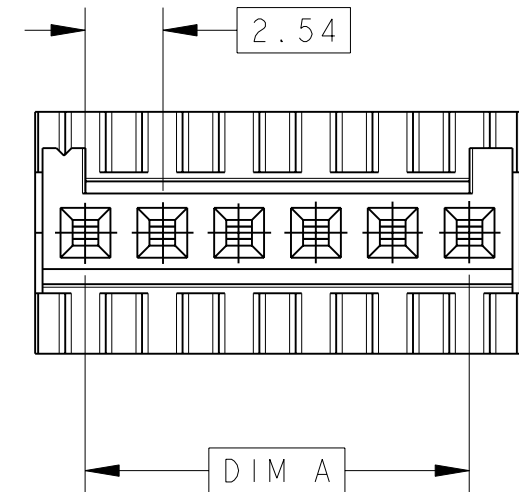
THIS DRAWING IS UNPUBLISHED.  
 DIFFUSION RESTREINTE  
 © COPYRIGHT 20 BY -  
 ALL RIGHTS RESERVED.  
 TOUS DROITS RESERVES

RELEASED FOR PUBLICATION  
 LIBRE A LA DIFFUSION 20

FILS ADMISSIBLES (ACCEPTABLE WIRES)

JAUGE (AWG) SECTION / 7 BRINS (7 STRANDS)	26 0.12mm <sup>2</sup>
ISOLANT: Ø MAX / MATIERE (INSUL.: Ø MAX / MAT'L)	Ø1 / PVC

LOC	DIST	REVISIONS			
P	LTR	DESCRIPTION MODIFICATIONS	DATE	DWN DESS.	APVD APP.
F	7	B2	REVISED PER ECO-11-005150	28MAR2011	RK HMR



AWG	Ø	AREA	NO. OF STRANDS	NO. OF POSITIONS	NO. OF POSITIONS	NO. OF POSITIONS
OBSOLETE	9	64.30	60.96	25	2 281711-5	2 144271-5
OBSOLETE	9	61.76	58.42	24	2 281711-4	2 144271-4
OBSOLETE	10	59.22	55.88	23	2 281711-3	2 144271-3
OBSOLETE	10	56.68	53.34	22	2 281711-2	2 144271-2
OBSOLETE	10	54.14	50.80	21	2 281711-1	2 144271-1
OBSOLETE	11	51.60	48.26	20	2 281711-0	2 144271-0
OBSOLETE	12	49.06	45.72	19	1 281711-9	1 144271-9
	12	46.52	43.18	18	1-281711-8 *	1-144271-8 *
OBSOLETE	13	43.98	40.64	17	1 281711-7	1 144271-7
OBSOLETE	14	41.44	38.10	16	1 281711-6	1 144271-6
	15	38.90	35.56	15	1-281711-5 *	1-144271-5 *
OBSOLETE	16	36.36	33.02	14	1 281711-4	1 144271-4
OBSOLETE	17	33.82	30.48	13	1 281711-3	1 144271-3
	18	31.28	27.94	12	1-281711-2 *	1-144271-2 *
OBSOLETE	20	28.74	25.40	11	1 281711-1	1 144271-1
OBSOLETE	20	26.20	22.86	10	1-281711-0 *	1-144271-0 *
OBSOLETE	25	23.66	20.32	9	0 281711-9	0 144271-9
	25	21.12	17.78	8	0-281711-8 *	0-144271-8 *
$\nabla$ OBSOLETE	30	18.58	15.24	7	0 281711-7	0 144271-7
	35	16.04	12.70	6	0-281711-6 *	0-144271-6 *
	40	13.50	10.16	5	0-281711-5 *	0-144271-5 *
	50	10.96	7.62	4	0-281711-4 *	0-144271-4 *
	70	8.42	5.08	3	0-281711-3 *	0-144271-3 *
	100	5.88	2.54	2	0-281711-2	0-144271-2
QUANT/TUBE	C	A, B	Nb DE POS	REFERENCES (PART No)		
DIMENSIONS			VRAC (L.P.)			

- 1 CES CONNECTEURS SONT PREVUS POUR ETRE ACCOUPLES AVEC LES EMBASES 'HE1402' SIMPLE RANGEE (THESE CONNECTEURS ARE DESIGNED TO BE MATED WITH 'HE1402' HEADERS SINGLE ROW)
- 2 LES REFERENCES SUIVIES D'UN ' \* ' SONT LES VERSIONS NORMALISEES SELON LA 'CEI 603-8' (THE PART-NO FOLLOWED BY ' \* ' ARE COVERED BY THE INTERNATIONAL STANDARD 'IEC 603-8')
- $\triangle$  3 REVETEMENT DES CONTACTS: ETAIN SANS PLOMB (THE CONTACTS ARE TIN PLATED LEAD FREE)
- $\triangle$  4 CONNECTEURS CONDITIONNES SOUS TUBE PVC (THESE CONNECTEURS ARE PACKAGED IN TUBE)
- $\triangle$  5 ' X ' EST REMPLACE PAR LE DEUXIEME CHIFFRE DES JAUGES AWG (' X ' REPLACED BY THE SECOND DIGIT OF AWG AS DEFINED IN TABLE)
- $\triangle$  6 MATIERES - BOITIER: PBT UL94V0 - CONTACTS: BRONZE PHOSPHOREUX (MATERIALS - CASE: PBT UL94V0 - CONTACTS: PHOSPHOR BRONZE)
- $\triangle$  7 OBSOLETE PARTS: OBSOLETE CIS STREAMLINING PER D.RENAUD/D.SINISI

THIS DRAWING IS A CONTROLLED DOCUMENT.

DWN/DESSINE: 17NOV2000  
 C. COMBEDOUZON  
 CHK/VERIFIE: 17NOV2000  
 T. CORRIOU  
 APVD/APPROUVE: 17NOV2000  
 Y. PETRONIN

NAME/TITRE: HE 1402 PLUG 90deg IDC SINGLE ROW

PRODUCT SPEC: 108-15053  
 APPLICATION SPEC: 114-15030

SIZE/FORMAT: A2  
 CAGE CODE: 0779  
 DRAWING NO: 281711

MATERIAL/MATIERE:  $\triangle$  6  
 FINISH/FINITION:  $\triangle$  3

WEIGHT/MASSE APPROX.: -

CUSTOMER DRAWING /PLAN CLIENT

UNIQUEMENT POUR REFERENCE

SCALE/ECHELLE: 4:1

SHEET FEUILLE: 1 OF DE: 1

REV: B2