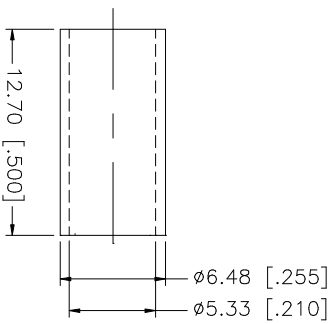
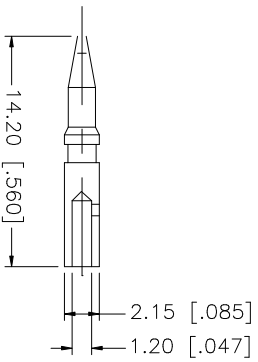
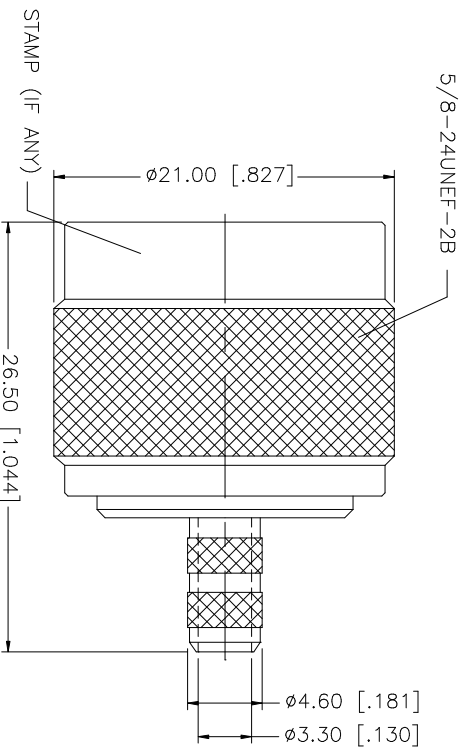
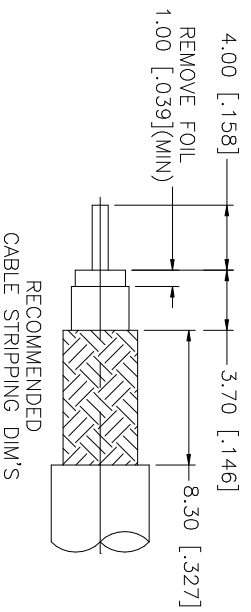


REV.	DATE	DESCRIPTION
A	04/31/03	UPDATE DRAWING FORMAT
B	02/24/04	MODIFY DESCRIPTION



- NOTES:
1. CRIMPED FERRULE
HEX CRIMP SIZE .213"
 2. CRIMPED CONTACT PIN
HEX CRIMP SIZE .068"

QTY	DESCRIPTION	MATERIAL	FINISH	DO NOT SCALE DRAWING	APPROVALS	DATE	PART DESCRIPTION	DWG. NO.	REV.	SIZE	SCALE
1	INSULATOR BODY	BRASS	NEXCOTE	1.180 - 4.724 = ± 0.020"	G.R.S.	02/24/04	N CRIMP PLUG (LMR200 CABLE)	172214.DWG	B	A	NA
1	CONTACT PIN	BRASS	GOLD	0.20 - .315 = ± 0.007"	CHECKED						
1	FERRULE	COPPER	NEXCOTE	30 - 120mm ± 0.50mm	ISSUED						
1	INSULATOR BODY	BRASS	NEXCOTE	8 - 30mm ± 0.40mm	SHEET	1 OF 1					
1	CONTACT PIN	BRASS	GOLD	0.5 - 8mm ± 0.20mm	CAD FILE						
1	INSULATOR BODY	BRASS	NEXCOTE	UNLESS OTHERWISE SPECIFIED DIMENSIONS ARE IN MILLIMETERS. DIMENSIONS IN [] ARE IN INCHES AND FOR CUSTOMER REFERENCE ONLY. UNLESS OTHERWISE SPECIFIED TOLERANCES FOR MILLIMETERS ARE: 0.5 - 8mm ± 0.20mm 8 - 30mm ± 0.40mm 30 - 120mm ± 0.50mm UNLESS OTHERWISE SPECIFIED TOLERANCES FOR INCHES ARE: .315 - 1.180 = ± 0.015" 1.180 - 4.724 = ± 0.020"	C:/172/172214.DWG						

Amphenol Connex