

# C&K CD Series 8mm DIP Coded Rotary Switches



## Features/Benefits

- **Process sealed – withstands soldering and cleaning**
- **Thru-hole and surface mount models**
- **Compact size saves space – 36% smaller than traditional 10mm DIP**
- **Crisp, positive detent ensures actuation**

## Typical Applications

- **Address switching applications**
- **Data storage devices**
- **Computer and peripherals**
- **Instrumentation**

## Specifications

CONTACT RATING: 0.4 VA max. @ 20 V AC or V DC max.

MECHANICAL AND ELECTRICAL LIFE:

CD10 & CD16: 20,000 actuations.

CD08: 12,000 actuations.

CONTACT RESISTANCE: 50 milliohms max. initial.

INSULATION RESISTANCE: 100 megohms min.

@ 250 V AC min.

DIELECTRIC STRENGTH: 250 V RMS min. @ sea level.

OPERATING TEMPERATURE: -25°C to 85°C.

STORAGE TEMPERATURE: -40°C to 85°C.

SOLDERABILITY: Per MIL-STD-202F method 208D or EIA RS-186E, method 9 (1 hour steam aging).

PACKAGING: Switches supplied in rigid tubes in full-tube quantities only: this may affect order quantity. Surface mount switches available in tape & reel packaging per EIA 481A, 800 per reel, "M0" actuator only.

## Materials

COVER & BASE: Glass filled nylon, flame retardant (UL 94V-0).

ACTUATOR: LCP (UL 94V-0), internal o-ring seal standard with all actuators.

KNOB: Glass filled nylon, flame retardant (UL 94V-0).

MOVABLE CONTACTS: Copper alloy with gold plate over nickel plate.

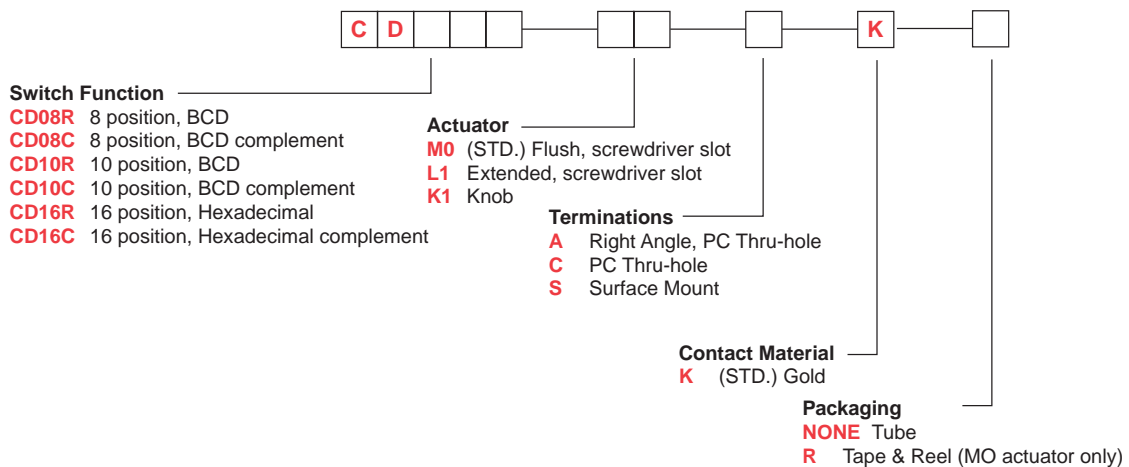
STATIONARY CONTACTS: Copper alloy with gold plate over nickel plate.

TERMINALS: Copper alloy with tin-lead alloy over nickel plate. All terminals are insert molded.

**NOTE:** Specifications and materials listed above are for switches with standard options. For information on specific and custom switches, consult Customer Service Center.

## How To Order

Our easy Build-A Switch concept allows you to mix and match options to create the switch you need. Below is a complete listing of options shown in catalog. To order, simply select desired option from each category and place in the appropriate box. .



# C&K CD Series 8mm DIP Coded Rotary Switches

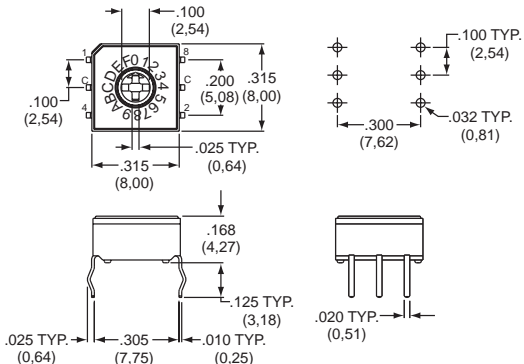


H  
DIP

## SWITCHES WITH STANDARD OPTIONS

### PC Mount

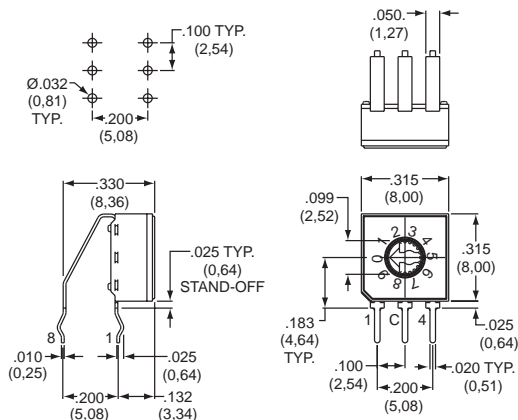
PART NUMBER	NO. POS.	QUANTITY PER TUBE
<b>CD08RM0CK</b>	8	60
<b>CD10RM0CK</b>	10	60
<b>CD16RM0CK</b>	16	60



CD16RM0CK

### Right Angle Mount

PART NUMBER	NO. POS.	QUANTITY PER TUBE
<b>CD08RM0AK</b>	8	60
<b>CD10RM0AK</b>	10	60
<b>CD16RM0AK</b>	16	60

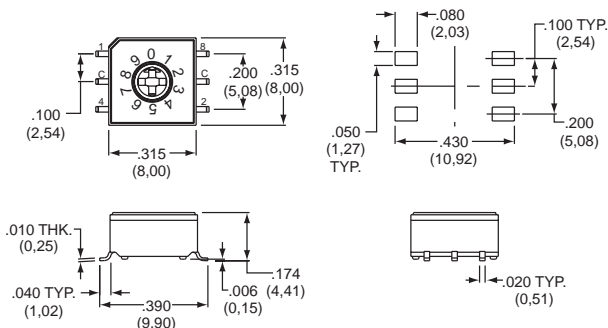


CD10RM0AK

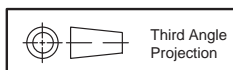
### Surface Mount

PART NUMBER	NO. POS.	QUANTITY PER TUBE
<b>CD08RM0SK</b>	8	60
<b>CD10RM0SK</b>	10	60
<b>CD16RM0SK</b>	16	60

Note: For tape and reel packaging, add 'R' to end of part number.



CD10RM0SK



Third Angle  
Projection

Dimensions are shown inch (mm)  
Dimensions subject to change

# C&K CD Series 8mm DIP Coded Rotary Switches

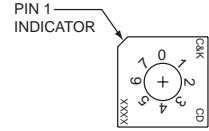
## SWITCH FUNCTION

**CD08R** 8 POSITION, BCD  
ACTUATOR COLOR: WHITE

**CD08C** 8 POSITION, BCD COMPLEMENT  
ACTUATOR COLOR: BLACK

POS.	0	1	2	3	4	5	6	7
C	●	●	●	●	●	●	●	●
1		●		●		●		●
2			●	●			●	●
4					●	●	●	●
8								

POS.	0	1	2	3	4	5	6	7
C	●	●	●	●	●	●	●	●
1	●		●		●		●	
2	●	●			●			●
4	●					●		●
8	●	●	●	●	●	●	●	●

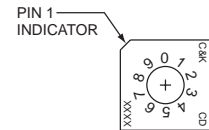


**CD10R** 10 POSITION, BCD  
ACTUATOR COLOR: WHITE

**CD10C** 10 POSITION, BCD COMPLEMENT  
ACTUATOR COLOR: BLACK

POS.	0	1	2	3	4	5	6	7	8	9
C	●	●	●	●	●	●	●	●	●	●
1		●		●		●		●		●
2			●	●			●	●		
4					●	●	●	●		
8									●	●

POS.	0	1	2	3	4	5	6	7	8	9
C	●	●	●	●	●	●	●	●	●	●
1	●		●		●		●		●	
2	●	●			●			●	●	
4	●					●		●		●
8	●	●	●	●	●	●	●	●		

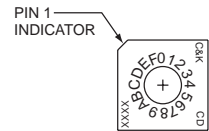


**CD16R** 16 POSITION, HEXADECIMAL  
ACTUATOR COLOR: WHITE

**CD16C** 16 POSITION, HEXADECIMAL COMPLEMENT  
ACTUATOR COLOR: BLACK

POS.	0	1	2	3	4	5	6	7	8	9	A	B	C	D	E	F
C	●	●	●	●	●	●	●	●	●	●	●	●	●	●	●	●
1		●		●		●		●		●		●		●		●
2			●	●			●	●			●	●			●	●
4					●	●	●	●				●	●	●	●	
8									●	●	●	●	●	●	●	●

POS.	0	1	2	3	4	5	6	7	8	9	A	B	C	D	E	F
C	●	●	●	●	●	●	●	●	●	●	●	●	●	●	●	●
1	●		●		●		●		●		●		●		●	
2	●	●			●			●	●			●	●			●
4	●					●		●			●	●	●	●		
8	●	●	●	●	●	●	●	●								

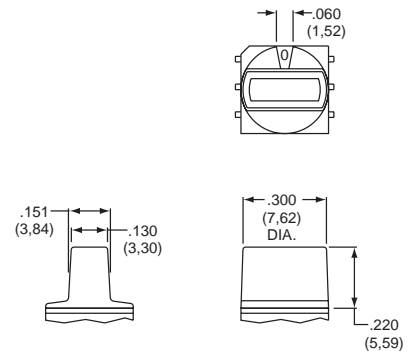
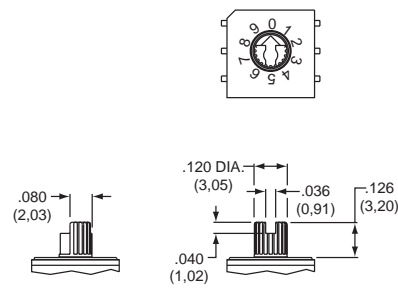
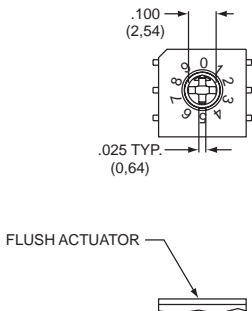


## ACTUATOR

**M0** (STD.) FLUSH WITH SCREWDRIVER SLOT

**L1** EXTENDED WITH SCREWDRIVER SLOT

**K1** KNOB



NOTE: Designed for #0 Phillips screwdriver.

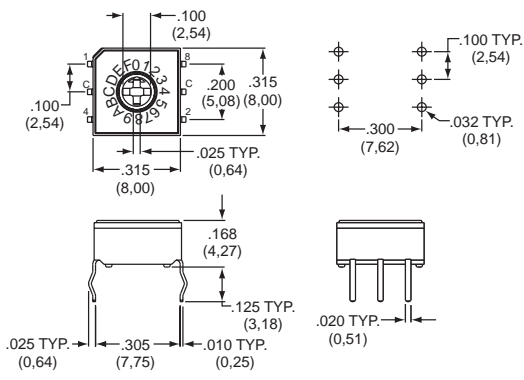
# C&K CD Series 8mm DIP Coded Rotary Switches

REVISIONS

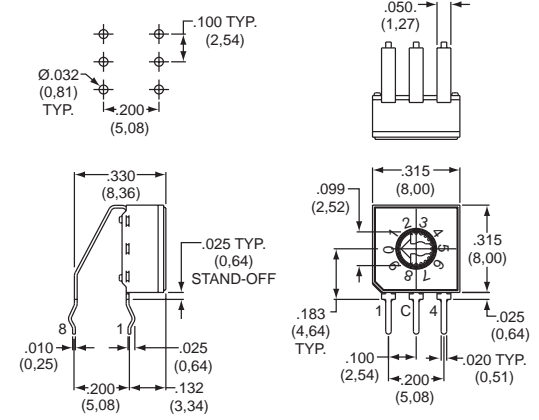
H  
DIP

## TERMINATIONS

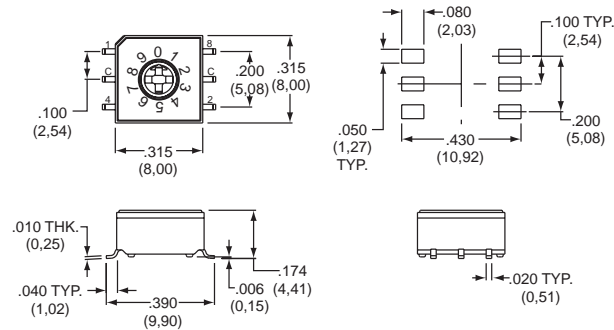
### C PC THRU-HOLE



### A RIGHT ANGLE, PC THRU-HOLE



### S SURFACE MOUNT



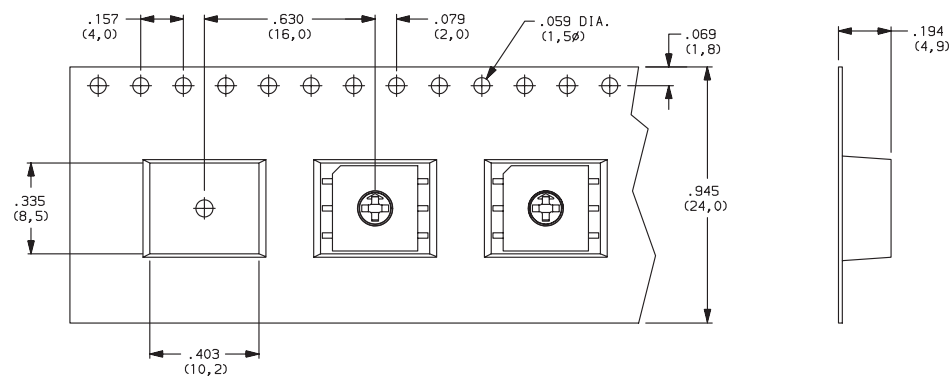
## CONTACT MATERIAL

OPTION CODE	CONTACT MATERIAL	TERMINAL PLATING	RATING
K (STD.)	GOLD	TIN-LEAD	LOW LEVEL/DRY CIRCUIT 0.4 VC MAX. @ 20 V AC or DC MAX.

## TAPE & REEL

For part number CDxxMOSK

FEED DIRECTION



### Reel Information

Outside diameter 13.00 (333,0)  
Pilot hole .512 (13,0)

