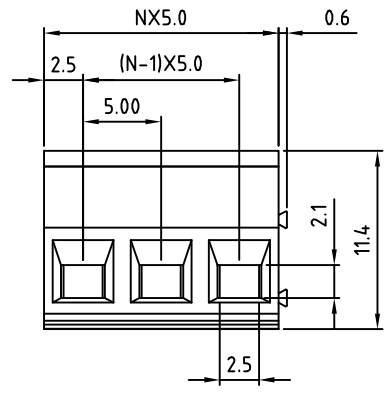
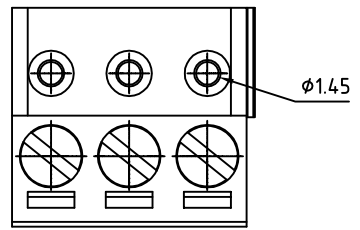
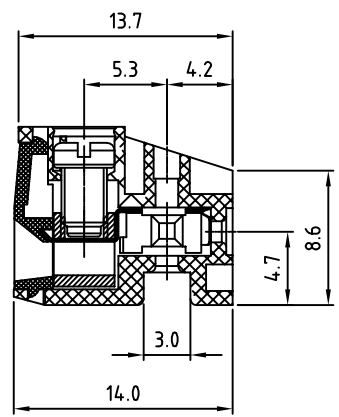


| SIGN | DATE | DESCRIPTION | APPROVER |
|------|------|-------------|----------|
| | | | |

THIS IS CAD DRAWING, DO NOT REVISE MANUALLY!!!



N=Number of poles



Material

- Terminal body
- (metal housing): Brass(CuZn)
- Terminal screw: Steel Zinc plating "-" slot type
- Wire guard: PhBz, Tin or Au plated.
- Insulator (housing): Thermoplastic (UL94V-0)

Electrical

- Voltage rating: 300VAC
- Current rating: 10A
- Wire range:
 - Solid wire(AWG): 16-22
 - Stranded wire(AWG): 16-22
- Torque(Lb-In): 1.7
- Screw: M3
- Wire strip length: 5-6mm
- Withstanding Voltage: 1.6KV
- Operating temperature: -30°C to +105°C
- Safety approval: us

RoHS Compliant

PART NUMBER:

OSTTTXX0180

No. of Poles
 02: 2 Poles
 :
 :
 24: 24 Poles

COLOR
 0: Black
 5: Green
 6: Blue
 8: Grey (Standard)



THESE DRAWINGS AND SPECIFICATIONS ARE THE PROPERTY OF ON-SHORE TECHNOLOGY, INC. AND SHALL NOT BE REPRODUCED, COPIED OR USED IN ANY MANNER WITHOUT THE PRIOR WRITTEN CONSENT OF ON-SHORE TECHNOLOGY, INC.

| TITLE | | OSTTT - 5.0mm Series | |
|----------------------|----------------------|----------------------|----------------------|
| PART NO. | OSTTTXX0180 | DWG NO. | OSTTTXX0180.DWG |
| APPROVED | CHECKED | DESIGNED | DRAWN |
| Marvin 2006.10.23 | Marvin 2006.06.24 | Marvin 2006.06.24 | Marvin 2006.06.24 |
| SHEET: 01/01 | | Tolerance | |
| UNIT: mm | | X. | ±0.50 |
| SCALE: NONE | | X.X | ±0.30 |
| REV.: D | | X.XX | ±0.10 |
| | | X° | ±1° |