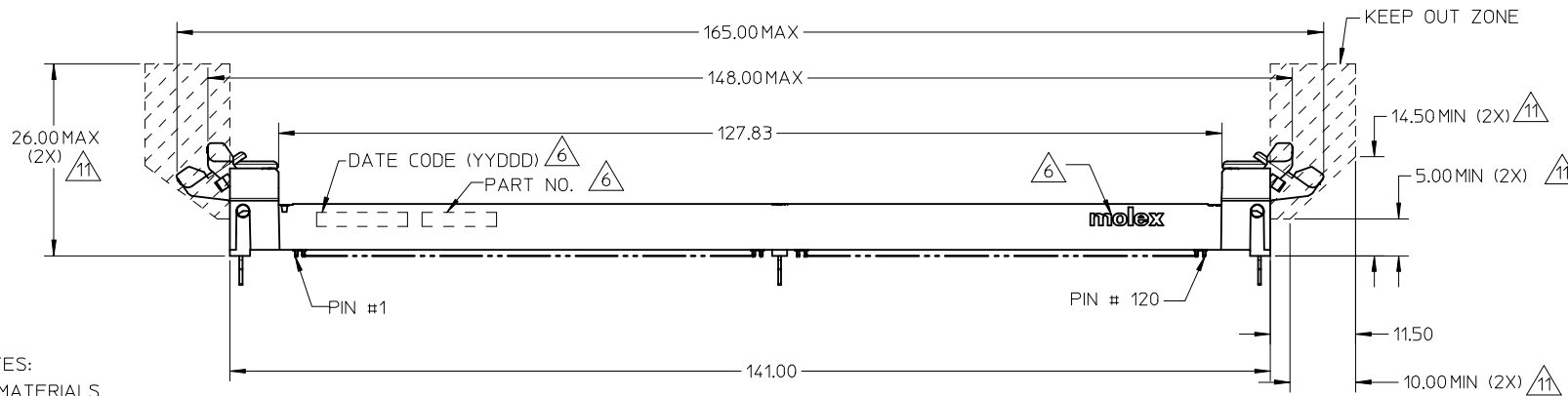


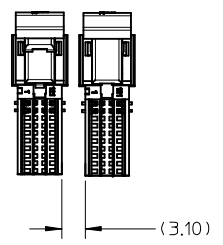
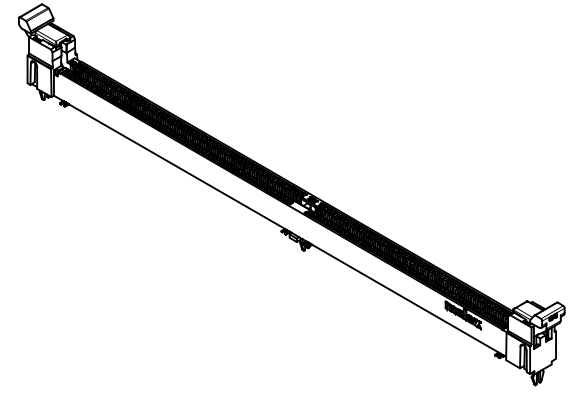
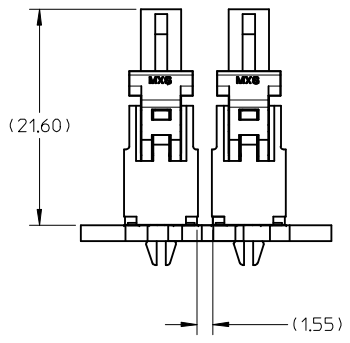
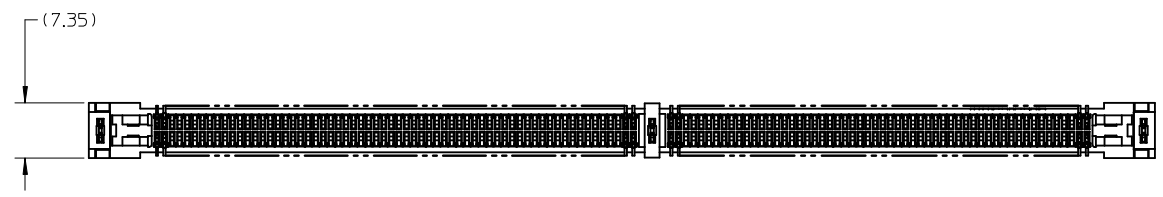
SECTION A-A



- NOTES:
- MATERIALS
HOUSING - LCP, GLASS FILLED, UL 94V-0. BLACK
EJECTORS - HIGH TEMP. NYLON GLASS FILLED, UL 94 V-0,
COLOUR - PLS REFER TO SHEET 2.
TERMINALS - COPPER ALLOY
 - PLATING OPTION - PLS REFER TO SHEET 2.
 - CARD SLOT ACCEPTS 1.27±0.10MM MODULE THICKNESS. (MEASURED OVER PC PADS)
 - RECOMMENDED MODULE LAYOUT SHALL BE AS PER JEDEC M0-237. PLS REFER TO SHEET 3.
 - PRODUCT IS PACKED INTO TRAYS. PLS REFER TO SHEET 5
 - MOLEX LOGO, DATE CODE & PART NO. INDICATED ON HOUSING.
 - DIMM MODULE SEATING PLANE FROM TOP OF PCB.
 - COPLANARITY OF SOLDERTAILS SHALL NOT EXCEED 0.20MM.
 - REFER YO PRODUCT SPEC. PS-78125-001 FOR PERFORMANCE SPECIFICATIONS.
 - THE KEEP OUT AREA IS THE AREA WHERE THE CONNECTOR IS MOUNTED ONTO THE PCB, WHICH DOES NOT INCLUDE THE LATCH.
 - KEEP OUT ZONE AS PER JEDEC SO-001.
 - CONTACT MOLEX FOR AVAILABILITY OF PRODUCT OPTIONS.

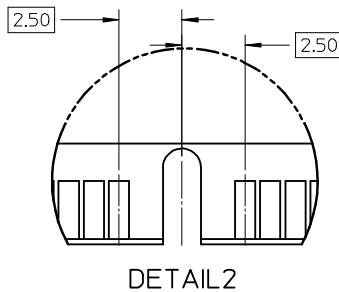
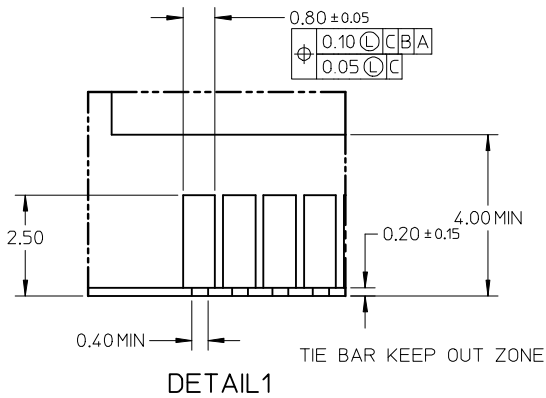
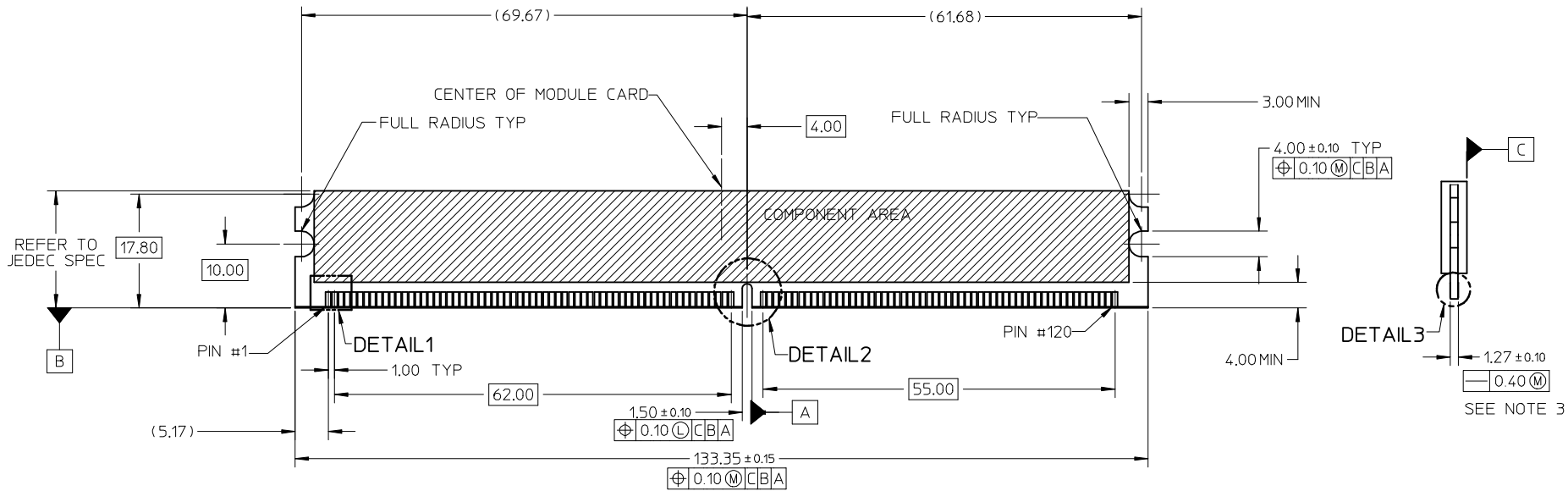
ADD NEW OPTION EC NO: S2009-0166 DRWN:CMTEO 2008/09/05 CHKD:CGTAN 2008/09/05 APPR:SHLENI 2008/09/05	QUALITY SYMBOLS ▽=0 ◻=0	GENERAL TOLERANCES (UNLESS SPECIFIED)		DIMENSION STYLE MM ONLY		SCALE NTS	DESIGN UNITS METRIC	THIRD ANGLE PROJECTION		
			mm	INCH	DRAWN BY CMTEO	DATE 2006/08/07	TITLE DDR2 DIMM, 100MM PITCH 240 CKTS, VLP LATCH, SMT			
		4 PLACES	± ---	± ---	CHECKED BY SHLENI	DATE 2006/08/14	MATERIAL NO. SD-78125-001			
		3 PLACES	± ---	± ---	APPROVED BY GGLEE	DATE 2006/08/14	DOCUMENT NO. SD-78125-001			
	2 PLACES	± 0.2	± ---	DRAFT WHERE APPLICABLE MUST REMAIN WITHIN DIMENSIONS		SEE TABLE		SHEET NO. 1 OF 5		
	1 PLACE	± ---	± ---	SIZE A3		THIS DRAWING CONTAINS INFORMATION THAT IS PROPRIETARY TO MOLEX INCORPORATED AND SHOULD NOT BE USED WITHOUT WRITTEN PERMISSION				
B1	REV	ANGULAR ± 1 °								

ASSEMBLY PART NO.	VOLTAGE KEY POS.	DIM X	PCB THICKNESS DIM Y	PLATING	LATCH COLOR
78125-0001	CENTRE 1.8V	3.94	1.57	0.76µM (30µ IN) MIN. GOLD ON CONTACT 2.54µM (100µ IN) MIN. TIN ON SOLDER TAILS 1.27µM (50µ IN) MIN. NICKEL UNDERPLATE	BLACK
78125-0008		4.42	2.50		

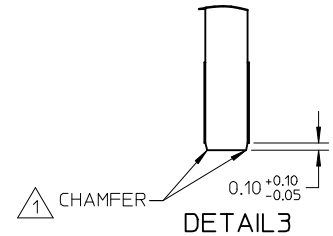


ADD NEW OPTION EC NO: S2009-0166 DRWN:CMTEO CHKD:CGTAN APPR:SHLENI	2008/09/05 2008/09/05 2008/09/05	DESCRIPTION REV	QUALITY SYMBOLS = 0 = 0	GENERAL TOLERANCES (UNLESS SPECIFIED)		DIMENSION STYLE	SCALE	DESIGN UNITS	THIRD ANGLE PROJECTION				
						MM ONLY	NTS	METRIC					
						DRAWN BY	DATE	TITLE					
						CMTED	2006/08/07	DDR2 DIMM, 100MM PITCH 240 CKTS, VLP LATCH, SMT					
				CHECKED BY	DATE								
				SHLENI	2006/08/14								
				APPROVED BY	DATE								
				GGLEE	2006/08/14								
				ANGULAR ± 1 °		MATERIAL NO.	DOCUMENT NO.						
				DRAFT WHERE APPLICABLE MUST REMAIN WITHIN DIMENSIONS		SEE TABLE	MOLEX INCORPORATED			SHEET NO.			
						SIZE	THIS DRAWING CONTAINS INFORMATION THAT IS PROPRIETARY TO MOLEX INCORPORATED AND SHOULD NOT BE USED WITHOUT WRITTEN PERMISSION						
						A3	SD-78125-001			2 OF 5			

RECOMMENDED MODULE LAYOUT



KEY LOCATION	VOLTAGE
CENTER	1.8V



NOTES:
 1. MODULE CARD USED FOR TESTS ARE WITH 0.10MM CHAMFER.

ADD NEW OPTION EC NO: S2009-0166 DRWN:CMTEO 2008/09/05 CHKD:CGTAN 2008/09/05 APPR:SHLENI 2008/09/05	QUALITY SYMBOLS ▽=0 ◻=0	GENERAL TOLERANCES (UNLESS SPECIFIED) mm INCH 4 PLACES ± --- ± --- 3 PLACES ± --- ± --- 2 PLACES ± 0.2 ± --- 1 PLACE ± --- ± --- ANGULAR ± 1 °	DIMENSION STYLE MM ONLY DRAWN BY: CMTEO DATE: 2006/08/07 CHECKED BY: SHLENI DATE: 2006/08/14 APPROVED BY: GGLEE DATE: 2006/08/14	SCALE: NTS DESIGN UNITS: METRIC THIRD ANGLE PROJECTION	TITLE: DDR2 DIMM, 100MM PITCH 240 CKTS, VLP LATCH, SMT
	DRAFT WHERE APPLICABLE MUST REMAIN WITHIN DIMENSIONS	MATERIAL NO.: SEE TABLE SIZE: A3	MOLEX INCORPORATED DOCUMENT NO.: SD-78125-001	SHEET NO.: 3 OF 5	
	THIS DRAWING CONTAINS INFORMATION THAT IS PROPRIETARY TO MOLEX INCORPORATED AND SHOULD NOT BE USED WITHOUT WRITTEN PERMISSION				
	REV: B1				

10 9 8 7 6 5 4 3 2 1

F

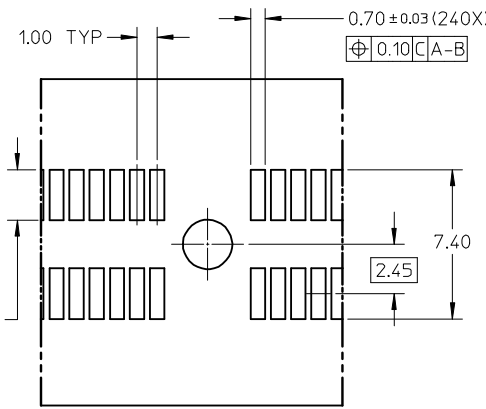
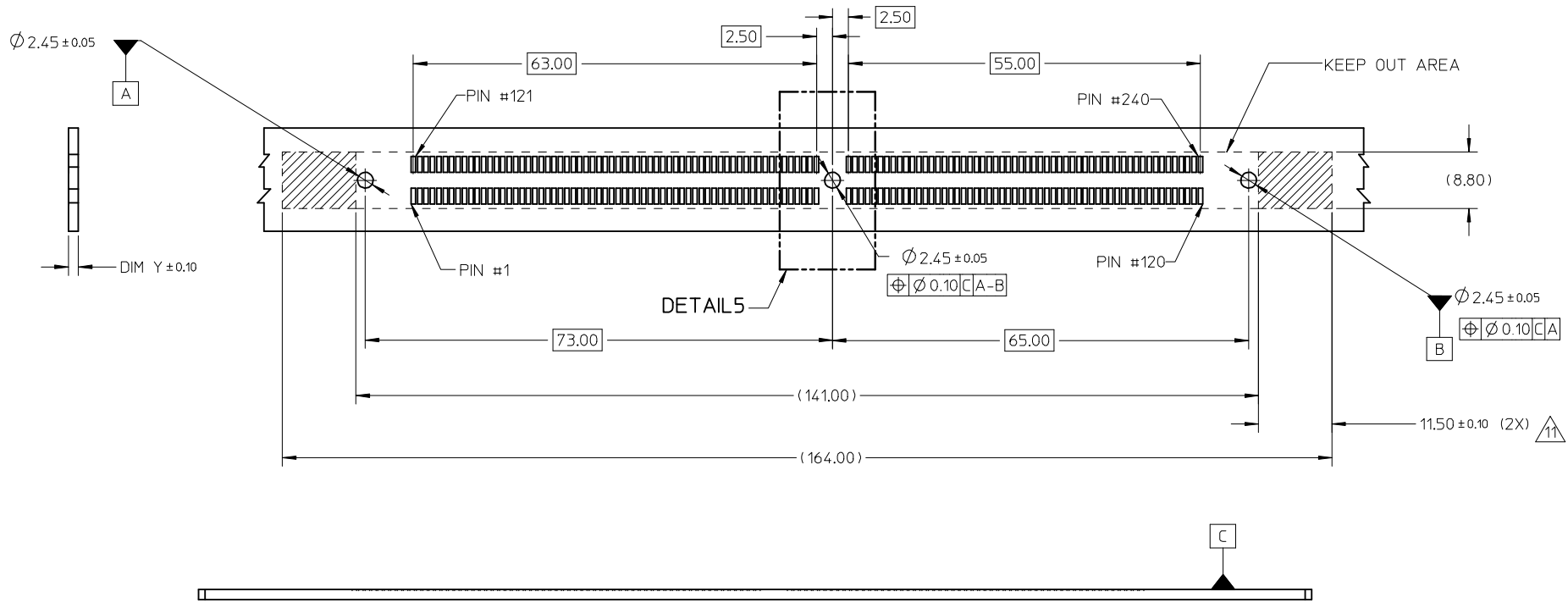
E

D

C

B

A



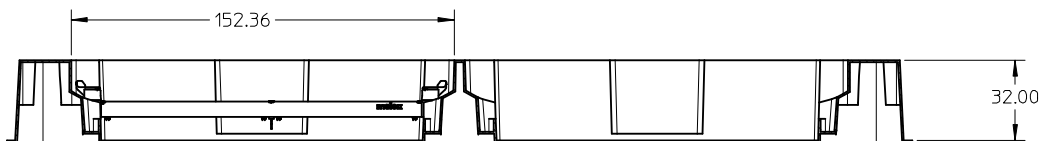
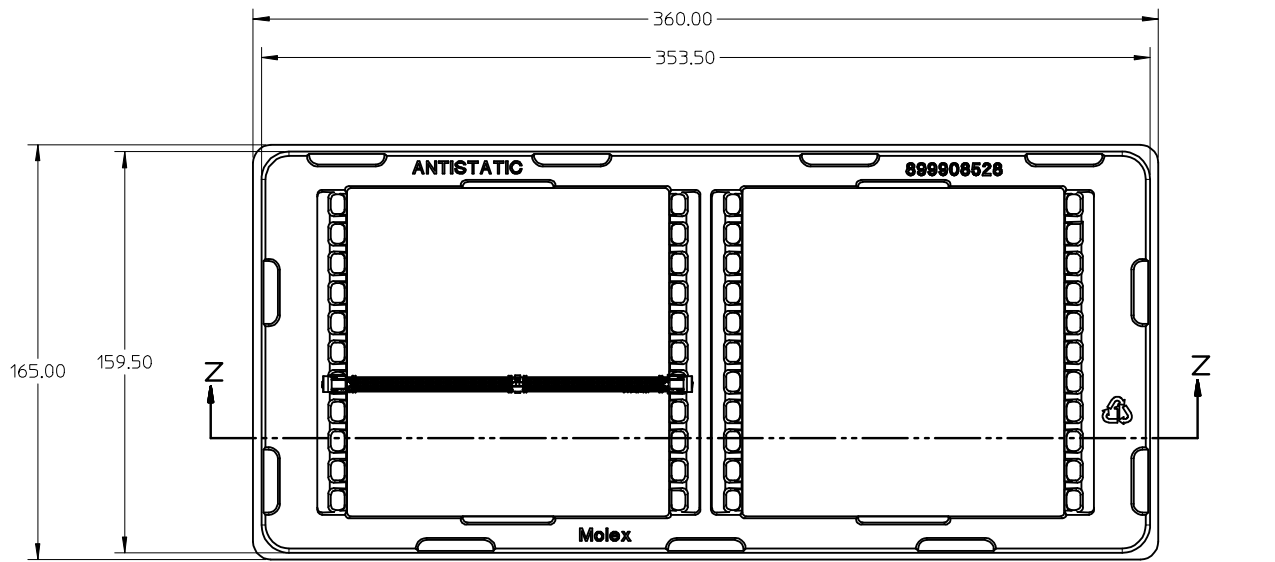
RECOMMENDED STENCIL THICKNESS = 150µM.

2.50 ± 0.03 (240X)
Ø 0.10 [C-A-B]

DETAIL 5

ADD NEW OPTION EC NO: S2009-0166 DRWN:CMTEO 2008/09/05 CHKD:CGTAN 2008/09/05 APPR:SHLENI 2008/09/05	QUALITY SYMBOLS ▽=0 ◻=0	GENERAL TOLERANCES (UNLESS SPECIFIED)		DIMENSION STYLE MM ONLY		SCALE NTS	DESIGN UNITS METRIC	THIRD ANGLE PROJECTION		
			mm	INCH	DRAWN BY	DATE	TITLE			
		4 PLACES	± ---	± ---	CMTEO	2006/08/07	DDR2 DIMM, 100MM PITCH			
		3 PLACES	± ---	± ---	CHECKED BY	DATE	240 CKTS, VLP LATCH, SMT			
	2 PLACES	± 0.2	± ---	SHLENI	2006/08/14	MOLEX INCORPORATED DOCUMENT NO. SD-78125-001				
	1 PLACE	± ---	± ---	APPROVED BY	DATE					
	ANGULAR ± 1 °		GGLEE		2006/08/14	SHEET NO. 4 OF 5				
B1	DRAFT WHERE APPLICABLE MUST REMAIN WITHIN DIMENSIONS		SEE TABLE		THIS DRAWING CONTAINS INFORMATION THAT IS PROPRIETARY TO MOLEX INCORPORATED AND SHOULD NOT BE USED WITHOUT WRITTEN PERMISSION					

9 8 7 6 5 4 3 2 1



SECTION Z-Z

NOTE:
1. CAVITY QTY : 2 X 11 = 22PCS

ADD NEW OPTION EC NO: S2009-0166 DRW:CMTEO 2008/09/05 CHKD:CGTAN 2008/09/05 APPR:SHLENI 2008/09/05	DESCRIPTION B1	QUALITY SYMBOLS	GENERAL TOLERANCES (UNLESS SPECIFIED)	DIMENSION STYLE	SCALE	DESIGN UNITS	THIRD ANGLE PROJECTION
		$\nabla=0$ $\text{C}=0$	mm INCH 4 PLACES ± --- ± --- 3 PLACES ± --- ± --- 2 PLACES ± 0.2 ± --- 1 PLACE ± --- ± --- ANGULAR ± 1 °	MM ONLY	NTS	METRIC	
		DRAWN BY: CMTEO DATE: 2006/08/07 CHECKED BY: SHLENI DATE: 2006/08/14 APPROVED BY: GGLEE DATE: 2006/08/14 MATERIAL NO.	TITLE DDR2 DIMM, 100MM PITCH 240 CKTS, VLP LATCH, SMT				
		SEE TABLE	MOLEX INCORPORATED DOCUMENT NO. SD-78125-001 SHEET NO. 5 OF 5				