

Switch Modules – ESM & DSM

The single switch module ESM and the double switch module DSM are ready-to-install units, consisting of:

- Switches:
K12 (for both ESM or DSM)
K12G (DSM only with two switching-points)
PVA1H4 (ESM only)
- PC board
- Rubber cap
- Optional cable or connector

The rubber cap offers the possibility to use both switch modules under severe ambient conditions where dust, water, oil, solvents etc. can effect or destroy the function of standard switches.

With the rubber cap the two modules are sealed to IP 65 when mounted.

Typical Applications

- Tractors
- Harvesting equipment
- Industrial controls

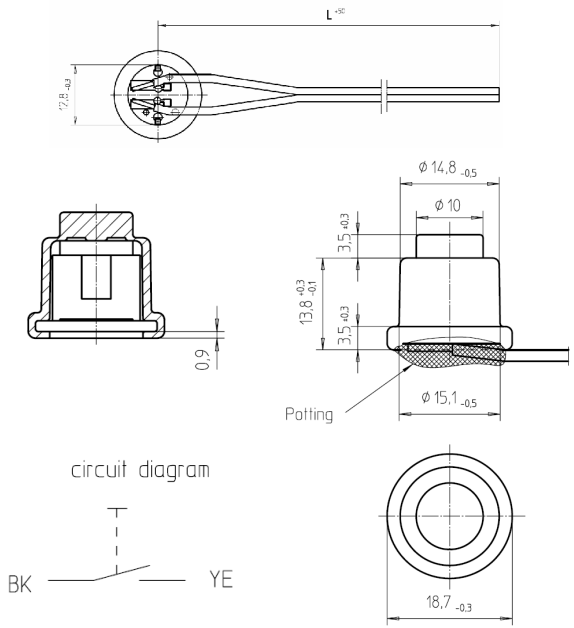


Technical Data		
Cap Material	Silicone rubber	
Protection Level	IP 65 (with cap when mounted)	
Cable	FLK/FLY 0.5 mm ²	
Switches	K12 (both ESM or DSM) K12G (DSM only, two switching-points) PVA1H4 (ESM only)	
	Operating force	Travel (mm/inch)
	K12	5 N 1 / 0.039
	K12G	3.5 / 7 N 1.5 / 0.0591
	PVA1H4	3 N 2.2 / 0.087

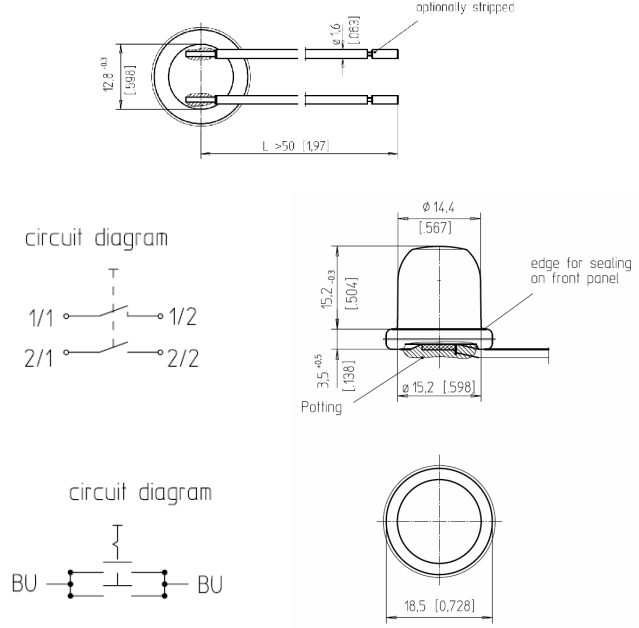
Ordering code		1	2	3	4	6	7	8
	Example	DSM	K12	1	5N	C	L130	Pu Po
1 Designation	ESM = single switch module DSM = double switch module							
2 Switch	K12 = (for ESM and DSM) K12G = with 2 switching-points (DSM only) PVA = PVA1H4 (ESM only)							
3 Travel of Switch	1 = 1 mm (K12) 1.5 = 1.5 mm (K12G) 2.2 = 2.2 mm (PVA1H4)							
4 Operating force	5N = 5 N (K12) 3.5N = 3.5 / 7 N (K12G) 3N = 3 N (PVA1H4)							
6 Cap	N = none C = with cap							
7 Cable	- = none L130 = 130 mm cable length							
8 Cap decals (DSM)*	- = none P = arrows: U (down), O (Up), L (left), R (right)							

* see drawing overleaf

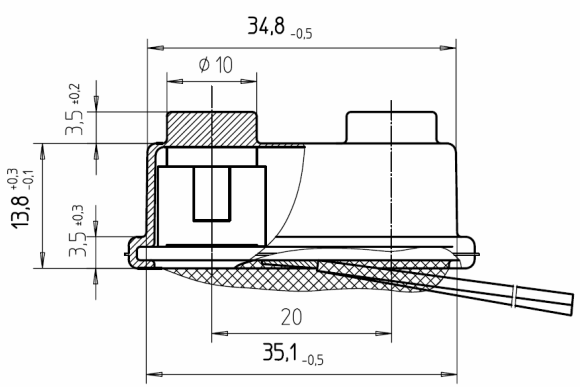
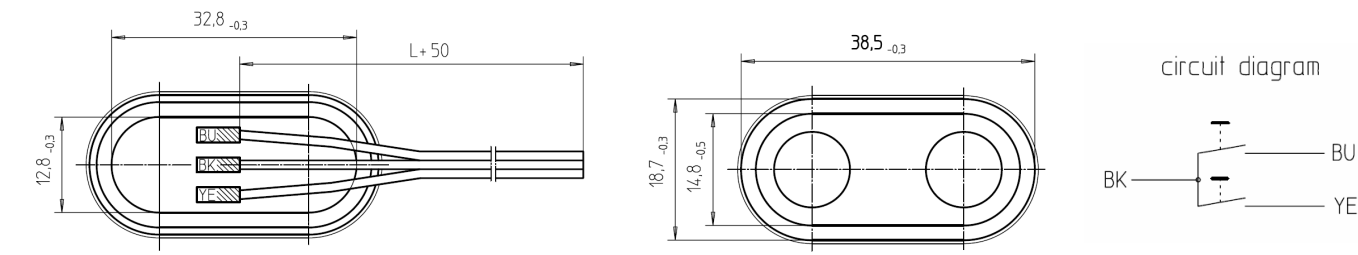
ESM single switch with K12



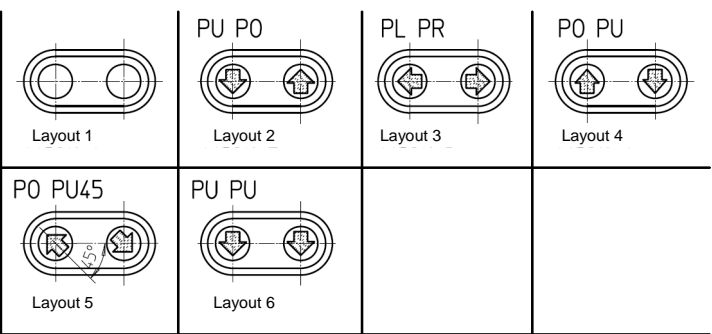
ESM single switch with PVA1H4



DSM double switch module with K12



Decals:





Single & Double Switch Modules – ESM / DSM

DeltaTech Controls – A CoActive Technologies Company - worldwide Facilities

With sales offices and manufacturing facilities located worldwide, please visit our website at www.deltatechcontrols.com for a complete listing and to find the office nearest to you.

France

2 Boulevard Michael Faraday
Arlington Square, Batiment B
Serris - F77716 Marne La Vallee Cedex 4
France
phone: + 33 160 24 51 51
fax: + 33 (0)3 84 69 08 97

Germany

Holzhauser Strasse 26-32
D-13509 Berlin
Germany
phone: + 49 30 43 999 0
fax: + 49 30 43 999 203

Hong Kong

Unit 901, West Tower
Shun Tak Center
168-200 Connaught Road
Central, Hong Kong
phone: + 852 2732 2720
fax: + 852 2732 2919

USA

5288 Valley Industrial Blvd. S
Shakopee, MN 55379
USA
phone: + 1 952 403 7418
fax: + 1 952 233 9707



No information and data contained in this publication shall be construed to create any liability on the part of DeltaTech Controls GmbH. Any new issue of this publication shall automatically invalidate and supersede any and all previous issues. Dimensions are subject to change without prior notice.

All Copyrights belong to DeltaTech Controls GmbH and CoActive Technologies.
All other trademarks or registered trademarks are property of their respective owners.
All data subject to change without notice. ©2007