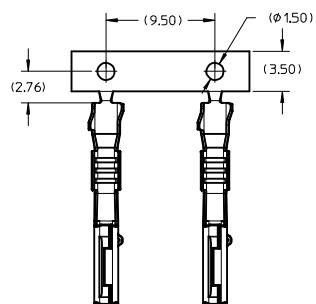
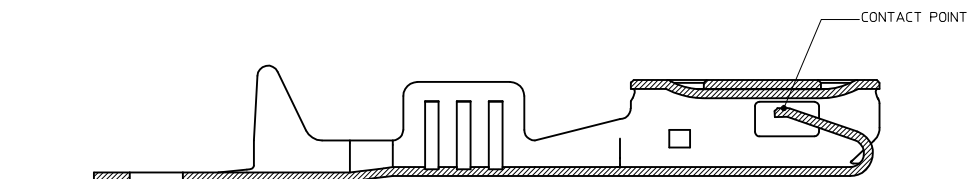


- NOTES:
1. MATERIAL: COPPER ALLOY (MIN. 1 MICRON HOT DIPPED Sn PREPLATED)
 2. PACKAGING: REFER TO PK-36799-001.
 3. APPLICATION SPECIFICATION: REFER TO AS-36783-001.
 4. PRODUCT SPECIFICATION: REFER TO PS-36783-001/PS-36790-001(PRELIMINARY RELEASED).
 5. USE WITH 36792/36807

TABLE A

MOLEX P/N	GRIP CODE	METRIC (mm ²) WIRE SIZE	DIM A	DIM B	DIM ØC	DIM ØD	DIM E	DIM F
367990001	M	0.75-1.00	2.51	3.07	1.50	1.98	2.64	3.25
367990002	S	0.35-0.50	1.91	2.47	1.00	1.54	1.94	2.60



SECTION Y-Y

PART# REPLACEMENT EC NO: 12014-0026 DRWN: MAMAKRISHNA 2013/09/16 CHKD: CHKD: APPR: KPRASAD 2013/09/30	QUALITY SYMBOLS ∇=0 ∇=0 ∇=0	GENERAL TOLERANCES (UNLESS SPECIFIED) <table border="1"> <thead> <tr> <th></th> <th>mm</th> <th>INCH</th> </tr> </thead> <tbody> <tr> <td>4 PLACES</td> <td>± ---</td> <td>± ---</td> </tr> <tr> <td>3 PLACES</td> <td>± ---</td> <td>± ---</td> </tr> <tr> <td>2 PLACES</td> <td>± ---</td> <td>± ---</td> </tr> <tr> <td>1 PLACE</td> <td>± ---</td> <td>± ---</td> </tr> <tr> <td>0 PLACE</td> <td>± ---</td> <td>± ---</td> </tr> </tbody> </table>		mm	INCH	4 PLACES	± ---	± ---	3 PLACES	± ---	± ---	2 PLACES	± ---	± ---	1 PLACE	± ---	± ---	0 PLACE	± ---	± ---	DIMENSION STYLE MM ONLY DRAWN BY: PKRISHNANO1 DATE: 2012/07/05 CHECKED BY: _____ DATE: _____ APPROVED BY: KPRASAD DATE: 2013/05/02	SCALE: 10:1 DESIGN UNITS: METRIC THIRD ANGLE PROJECTION	TITLE: FEMALE TERMINAL 1.2 MM SEALED CONNECTOR SYSTEM molex MATERIAL NO. SD-36799-001 DOCUMENT NO. SD-36799-001
		mm	INCH																				
	4 PLACES	± ---	± ---																				
	3 PLACES	± ---	± ---																				
2 PLACES	± ---	± ---																					
1 PLACE	± ---	± ---																					
0 PLACE	± ---	± ---																					
ANGULAR ±1/2° DRAFT WHERE APPLICABLE MUST REMAIN WITHIN DIMENSIONS	SEE TABLE A	SHEET NO. 1 OF 1																					
THIS DRAWING CONTAINS INFORMATION THAT IS PROPRIETARY TO MOLEX INCORPORATED AND SHOULD NOT BE USED WITHOUT WRITTEN PERMISSION																							
REV: A	DESCRIPTION:	SIZE: A2																					