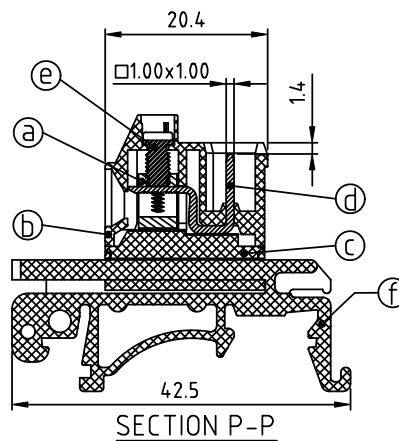
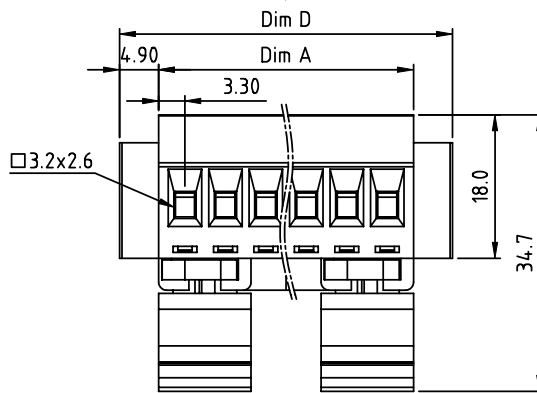
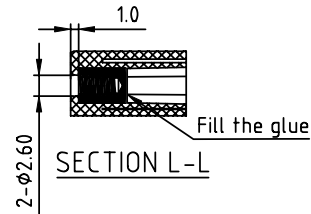
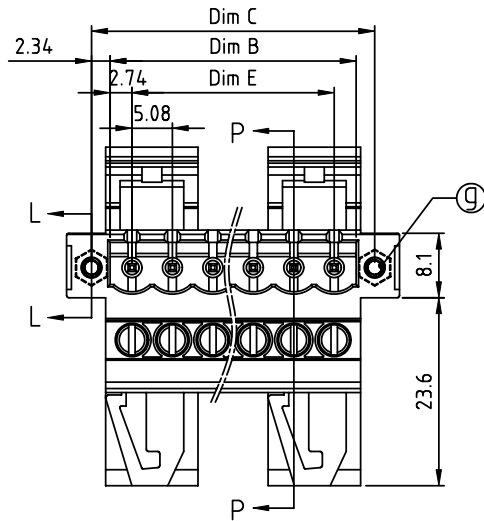


PRODUCT NUMBER	PITCH
V5xx51x500J0G	5.08 mm



- Material:
- Item ① Clamp: Brass, Ni plated
 - Item ② Terminal(housing): Thermoplastic (UL94V-0)
 - Item ③ Terminal(cover): Thermoplastic (UL94V-0)
 - Item ④ Pin: Brass, Tin plated.
 - Item ⑤ Terminal screw: Steel, Zinc plating salt "-" type M3
 - Item ⑥ Terminal(track): Thermoplastic (UL94V-0)
 - Item ⑦ With flange nut: Brass M2.5

- Electrical: cULus
- Voltage rating: 300V
 - Current rating: 12A
 - Wire range:
 - Solid wire(AWG):12-30
 - Stranded wire(AWG):12-30
 - Torque(Lb-In): 4.4
 - Screw:M3
 - Wire strip length: 6-7 mm
 - Withstanding Voltage: 1.6KV
 - Operating temperature: -40°C to +115°C
 - Safety Approval:

PART NO.: V5 xx 51 x 5 00J0 G

DIMENSION

Dim	Nx5.08+1.52	N=Number of poles	
		Poles	Tolerance
Dim A	(N-1)x5.08+5.48	2P-6P	±0.20
Dim B	(N-1)x5.08+10.16	7P-12P	±0.25
Dim C	Nx5.08+11.32	13P-18P	±0.30
Dim D	(N-1)x5.08	19P-24P	±0.40

		Color		RoHS compliant (lead<4%) In copper Alloy
Solid block	No. of poles			
0	2	Black (RAL9005)		
02	2 poles	Red (RAL3001/D)		
03	3 poles	Orange(RAL2011/P)		
...	...	4 Yellow(RAL1018/A)		
...	...	5 Green(RAL6018/T)		
24	24 poles	6 Blue (RAL5015/A)		
		8 Grey(RAL7035/D)		
		9 White(RAL1102)		
		C Green(RAL6018/U)		

mat'l. code				surface ASME Y14.5	tolerance ASME Y14.5	projection 	product family TERMINAL BLOCK	
ltr	ecn	no	dr	tolerances unless otherwise specified		MM	title	
				angles 	X.±0.5		TERMINAL BLOCK PLUGGABLE PLUG, WITH FLANGE DIN RAIL MOUNTING, B TYPE	
				X°±1'	X.XX±0.1	scale	size	
				dr	EVIN ZHONG	050414		dwg no
				enr	EVIN ZHONG	050414		sheet 1 of 1
				chr	HANKE FENG	050414		V5xx51x500J0G
				appd	SHI JUN	050414		A4
sheet index	revision	A						type
	sheet	1						CUSTOMER Drawing