

Technical specification:

| | |
|-------------------------------------|---|
| Rated voltage: IEC 61076-2-101 | 5pos 60 V |
| Current rating: IEC 61076-2-101 | 4 A at 40°C |
| Insulation resistance: IEC 60512 | >=100 MΩ |
| Pollution degree: IEC 60664-1 | 3/2 |
| Degree of protection: IEC 60529 | IP 65, in mated condition |
| Temperature range: IEC 60664-1 | +100°C - 30.000 h +125°C - 8.000 h +150°C - 2.000 h |
| Mating cycles: IEC 60512-9a | >=100 |

Materials:

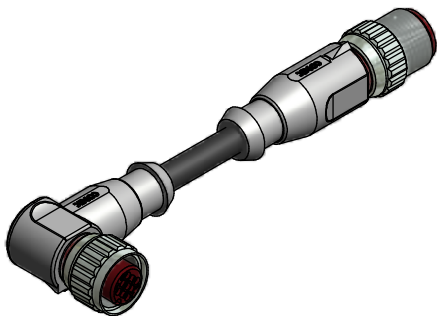
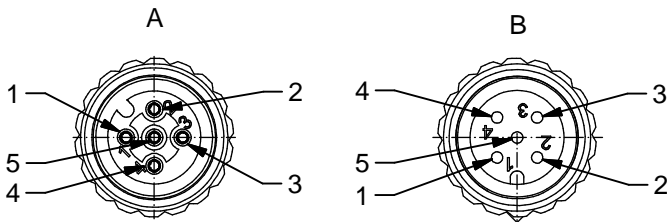
| | |
|-------------------------|--------------------------------|
| Contact: | CuZn, CuBe |
| Contact plating: | Nickel, gold plated |
| Contact carrier: | PBT GF, UL 94 |
| Sealing: | FPM |
| Coupling nut/ screw: | CuZn, nickel plated |
| Moulding body: | Thermoplastic elastomere, grey |

Installation specification:

| | |
|---------------------|--------|
| Recommended torque: | 0,6 Nm |
|---------------------|--------|

Contact assignment:

- 1) brown
- 2) white
- 3) blue
- 4) black
- 5) green-yellow



| Part no: | Description: | Length L: | Cable: |
|----------|---------------------------------------|-----------|---|
| 43-10912 | SAL - HT - 12 - RKW5 - RS5 - 0,3 / S1 | 0,3m | TPE, black, 5x0,34mm ² Cable: 781-S13500 |
| 43-10913 | SAL - HT - 12 - RKW5 - RS5 - 0,6 / S1 | 0,6m | |
| 43-10914 | SAL - HT - 12 - RKW5 - RS5 - 1,5 / S1 | 1,5m | |
| 43-10915 | SAL - HT - 12 - RKW5 - RS5 - 3,0 / S1 | 3m | |
| 43-xxxxx | SAL - HT - 12 - RKW5 - RS5 - ... / S1 | x | |

D see data sheet cable

| | | | | | | | | | | | | | |
|---|-------------------------------------|--|------------|---|--|--|------|------|-------|----------|----------|-------|----------|
| DO NOT ALTER CAD DRAWING BY HAND | Directive 2002/95/EC RoHS compliant | Index: b 16.02.11 VF Ä3909 technical specification changed, part no. cable in table added, data sheet modified | dim. in mm | title: Connecting cable M12x1, HT, female connector angled - male connector axial | | | | | | | | | |
| | | tolerance of cable: L ≤ 4m: L + 40mm L > 4m: L + 1% | | | <table border="1" style="width: 100%; border-collapse: collapse;"> <tr> <td style="width: 30px;"></td> <td style="width: 100px;">date</td> <td style="width: 100px;">name</td> </tr> <tr> <td>drawn</td> <td>14.03.07</td> <td>Burschik</td> </tr> <tr> <td>appd.</td> <td>14.03.07</td> <td>Mankopf</td> </tr> </table> | | date | name | drawn | 14.03.07 | Burschik | appd. | 14.03.07 |
| | | | date | | name | | | | | | | | |
| | | drawn | 14.03.07 | | Burschik | | | | | | | | |
| appd. | 14.03.07 | Mankopf | | | | | | | | | | | |
| THIS DRAWING MAY NOT BE COPIED OR REPRODUCED IN ANY WAY, AND MAY NOT BE PASSED ON TO A THIRD PARTY WITHOUT WRITTEN PERMISSION. OWNERSHIP AND COPYRIGHT OF CONEC GmbH | | dwg no: 43K1A451 | | | | | | | | | | | |
| | | part no: see table | | | | | | | | | | | |