



### FEATURES

Small size - High voltage – High Capacitance

### APPLICATIONS

UPS – DC link – AC/DC motor controls – Power inverters

|   |  |   |                          |            |                           |  |                           |             |                           |                    |
|---|--|---|--------------------------|------------|---------------------------|--|---------------------------|-------------|---------------------------|--------------------|
| <b>Operating Temperature Range</b>                          |  | <b>-40°C to +100°C</b><br>Above +85°C applied voltage must be de-rated by 1.5%/°C   |                          |            |                           |  |                           |             |                           |                    |
| <b>Capacitance Tolerance</b>                                |  | ±10% at 1 kHz, 25°C<br>±5% optional   |                          |            |                           |  |                           |             |                           |                    |
| <b>Surge Voltage</b>  | <b>VDC</b>   | <b>Code</b>   | <b>A35</b>               | <b>A40</b> | <b>A45</b>                | <b>A50</b>   | <b>A55</b>                | <b>A60</b>  | <b>A70</b>                |                    |
|   |  | <b>85°C</b>   | <b>575</b>               | <b>700</b> | <b>800</b>                | <b>900</b>   | <b>1000</b>               | <b>1100</b> | <b>1275</b>               |                    |
|   | <b>Repetitive SVDC</b>   | <b>70°C</b>   | 630                      | 770        | 880                       | 1000   | 1100                      | 1200        | 1400                      |                    |
|   |  | <b>85°C</b>   | 660                      | 805        | 920                       | 1035   | 1150                      | 1265        | 1465                      |                    |
|   |  | <b>70°C</b>   | 720                      | 885        | 1010                      | 1150   | 1265                      | 1380        | 1610                      |                    |
|   |  | <b>85°C</b>   | 750                      | 910        | 1040                      | 1170   | 1300                      | 1430        | 1655                      |                    |
| <b>Non-repetitive SVDC</b>                                  | <b>70°C</b>  | 815   | 1000                     | 1140       | 1300                      | 1430   | 1560                      | 1820        |                           |                    |
|   | Repetitive SVDC: Maximum repetitive voltage for 1 hour Max/Day |   |                          |            |                           |  |                           |             |                           |                    |
| <b>AC Voltage</b>   | <b>Code</b>  |   | <b>A35</b>               | <b>A40</b> | <b>A45</b>                | <b>A50</b>   | <b>A55</b>                | <b>A60</b>  | <b>A70</b>                |                    |
|   | <b>VDC</b>   |   | <b>575</b>               | <b>700</b> | <b>800</b>                | <b>900</b>   | <b>1000</b>               | <b>1100</b> | <b>1275</b>               |                    |
|   | <b>VAC</b>   | <b>85°C</b>   | 240                      | 285        | 315                       | 350  | 400                       | 420         | 440                       |                    |
| <b>70°C</b>   |  | 250   | 300                      | 330        | 370                       | 420  | 440                       | 460         |                           |                    |
| <b>Dissipation Factor (MAX) Tan δ (%) at 1 kHz and 25°C</b> |  | <b>C ≤ 4μF</b>  | <b>4μF &lt; C ≤ 12μF</b> |            | <b>12μF &lt; C ≤ 20μF</b> |  | <b>20μF &lt; C ≤ 40μF</b> |             | <b>40μF &lt; C ≤ 75μF</b> | <b>C &gt; 75μF</b> |
|   |  | .06   | .08                      |            | .11                       |  | .14                       |             | .17                       | .2                 |
| <b>ESR (mΩ)</b>   | <b>Lead spacing (mm)</b>                                       |   | <b>Frequency range</b>   |            |                           | <b>ESR Value</b>   |                           |             |                           |                    |
|   | 27.5   |   | 10kHz - 60kHz            |            |                           | See standard part listing  |                           |             |                           |                    |
|   | 37.5   |   | 10kHz - 45 kHz           |            |                           | See standard part listing  |                           |             |                           |                    |
|   | 52.5   |   | 10kHz - 30 kHz           |            |                           | See standard part listing  |                           |             |                           |                    |
| <b>RMS Current</b>  |  | No RMS current is to be applied at temperatures > +95°C   |                          |            |                           |  |                           |             |                           |                    |
| <b>Ripple Current</b>                                       |  | See standard part listing, No ripple current is to be applied when the ambient temperature is ≥ +95°C                     |                          |            |                           |  |                           |             |                           |                    |
| <b>Insulation Resistance</b>                                |  | 3000 MΩxμF (10000 MΩxμF typical)<br>"Not to exceed 3GΩ"<br>After 1 minute of 100VDC applied between the terminals at 25°C |                          |            |                           |  |                           |             |                           |                    |
| <b>Self Inductance</b>                                      |  | <1 nano-Henry per mm of lead spacing and lead length  |                          |            |                           |  |                           |             |                           |                    |
| <b>Long Term Stability</b>                                  |  | Capacitance variation <1% MAX after 2 years   |                          |            |                           |  |                           |             |                           |                    |
| <b>Dielectric Strength</b>                                  | <b>Terminal to Terminal</b>                                    |   |                          |            |                           | <b>Terminal to case</b>  |                           |             |                           |                    |
|   | 150% of VDC or 150% of VAC applied for 10 Seconds and 25°C     |   |                          |            |                           | 3KVAC at 50/60 Hz applied between the terminals and case for 60 Seconds and 25°C |                           |             |                           |                    |



|  |  |  |   |
|--|--|--|---|
| <b>Life Expectancy</b>   | $\geq 60000$ with VAC, $\geq 200000$ With WVDC applied at $+70^{\circ}\text{C}$<br>$\geq 30000$ with VAC, $\geq 100000$ With WVDC applied at $+85^{\circ}\text{C}$<br>$\geq 10000$ with $0.8 \times \text{VAC}$ , $\geq 30000$ With $0.8 \times \text{WVDC}$ applied at $+100^{\circ}\text{C}$ |  |   |
| <b>Failure Quota</b>   | 300/billion component hours  |  |   |
| <b>Damp Heat Test</b>  | <b>Test Condition</b>  | <b>Performance requirements</b>        |   |
|  | <b>Temperature= <math>+40^{\circ}\text{C} \pm 2^{\circ}\text{C}</math></b>   | <b>Max Capacitance change</b>          | $\leq \pm 3\%$ of initially measured valued |
|  | <b>Relative Humidity= <math>93 \pm 2\%</math></b>  | <b>DF Change</b>                       | $\leq 200\%$ of initially specified valued  |
|  | <b>Test length= 56 days</b>  | <b>Insulation resistance</b>           | $\geq 50\%$ of minimum specified value      |
| <b>Resistance to soldering Heat</b><br>Solder bath temperature: $+260^{\circ}\text{C} \pm 5^{\circ}\text{C}$<br>Exposure time: 10 seconds $\pm 1$ second | <b>Max Capacitance change</b>  | $\leq 1\%$ of initially measured value |   |
|  | <b>DF Change</b>   | $\leq .1\%$ at 1kHz                    |   |
|  | <b>Insulation resistance</b>   | $\geq 50\%$ of minimum specified value |   |
| <b>Construction</b>  | Metallized Polypropylene film  |  |   |
| <b>Electrodes</b>  | Vacuum deposited Metal layers  |  |   |
| <b>Coating</b>   | Flame retardant Solvent resistant plastic case with epoxy end fill   |  |   |
| <b>Lead Terminations</b>   | Lead free tinned copper leads  |  |   |

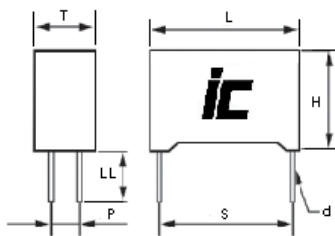


### Lead styles



#### 2 leads

|                  |             |      |      |      |
|------------------|-------------|------|------|------|
| Length (L)       | 32          | 41.5 | 42.5 | 57.5 |
| Lead spacing (S) | 27.5        | 37.5 | 37.5 | 52.5 |
| Lead Length (LL) | 5mm +/-1 mm |      |      |      |



#### 4 leads

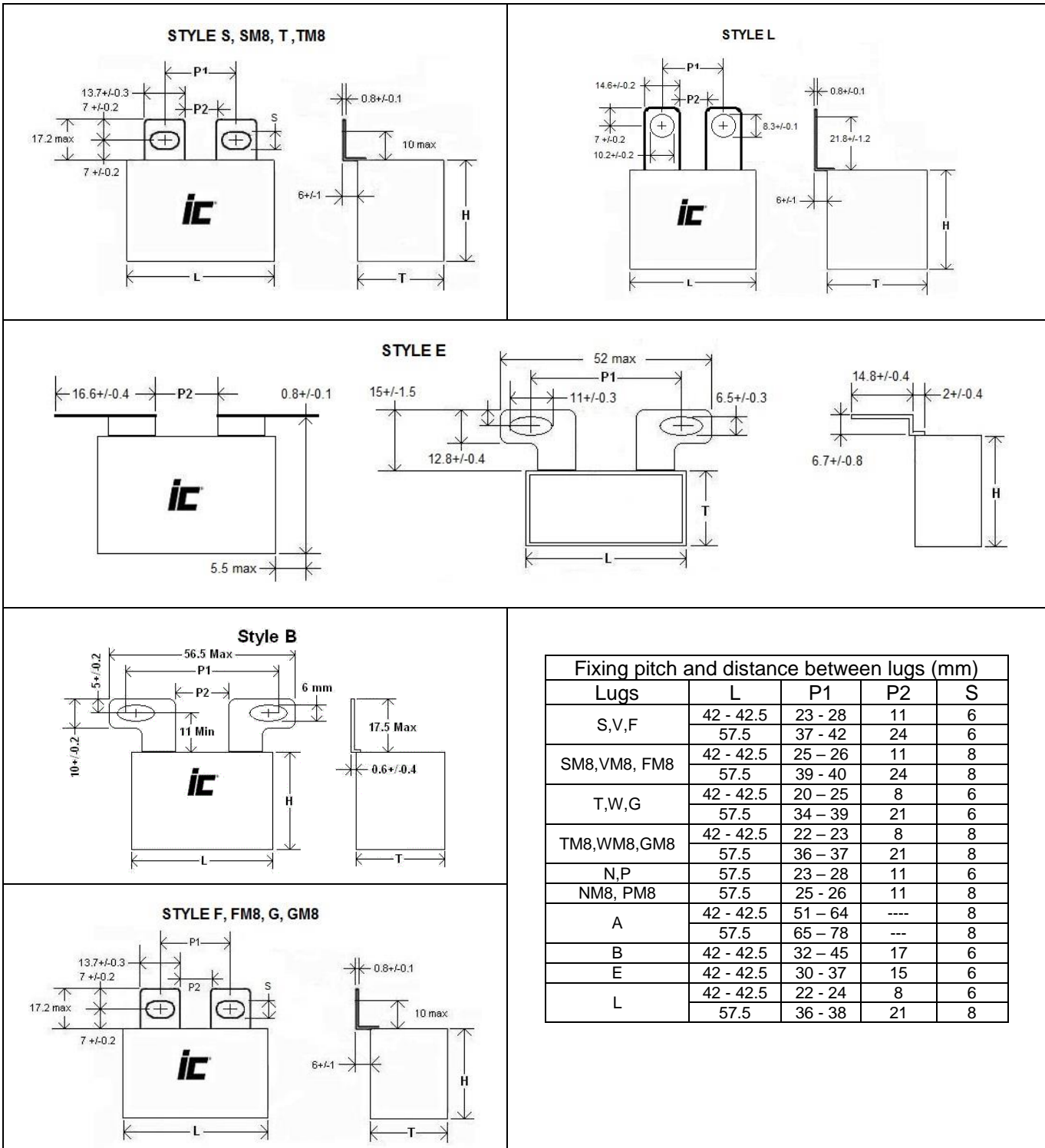
|                  |                  |      |      |      |
|------------------|------------------|------|------|------|
| Length (L)       | 32               | 41.5 | 42.5 | 57.5 |
| Lead spacing (S) | 27.5             | 37.5 | 37.5 | 52.5 |
| Lead Spacing (P) | See part listing |      |      |      |
| Lead Length (LL) | 5mm +/-1 mm      |      |      |      |



#### 6 leads

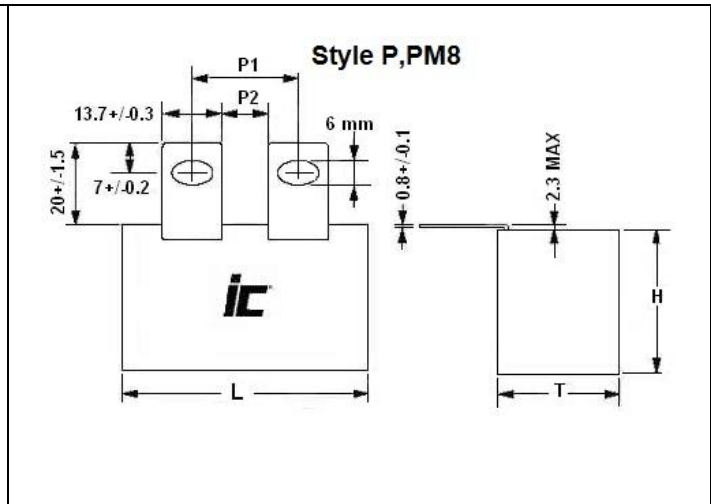
|                  |                  |      |      |      |
|------------------|------------------|------|------|------|
| Length (L)       | 32               | 41.5 | 42.5 | 57.5 |
| Lead spacing (S) | 27.5             | 37.5 | 37.5 | 52.5 |
| Lead Spacing (P) | See part listing |      |      |      |
| Lead Length (LL) | 5mm +/-1 mm      |      |      |      |

Dimensions in mm



| Fixing pitch and distance between lugs (mm) |           |         |     |   |
|---|-----------|---------|-----|---|
| Lugs  | L         | P1      | P2  | S |
| S, V, F                                     | 42 - 42.5 | 23 - 28 | 11  | 6 |
|   | 57.5      | 37 - 42 | 24  | 6 |
| SM8, VM8, FM8                               | 42 - 42.5 | 25 - 26 | 11  | 8 |
|   | 57.5      | 39 - 40 | 24  | 8 |
| T, W, G                                     | 42 - 42.5 | 20 - 25 | 8   | 6 |
|   | 57.5      | 34 - 39 | 21  | 6 |
| TM8, WM8, GM8                               | 42 - 42.5 | 22 - 23 | 8   | 8 |
|   | 57.5      | 36 - 37 | 21  | 8 |
| N, P  | 57.5      | 23 - 28 | 11  | 6 |
| NM8, PM8                                    | 57.5      | 25 - 26 | 11  | 8 |
| A   | 42 - 42.5 | 51 - 64 | --- | 8 |
|   | 57.5      | 65 - 78 | --- | 8 |
| B   | 42 - 42.5 | 32 - 45 | 17  | 6 |
| E   | 42 - 42.5 | 30 - 37 | 15  | 6 |
| L   | 42 - 42.5 | 22 - 24 | 8   | 6 |
|   | 57.5      | 36 - 38 | 21  | 8 |

Dimensions in mm



Dimensions in mm

# MHBS

2,4,6, lug lead radial box

| Capacitance (µF) | WVDC | IC PART NUMBER | dv/dt (V/µsec) | Maximum RMS Ripple Current (A) 100 kHz, +70°C |       |      | Typical ESR (mΩ) **, +25°C | Dimensions LxHxT (mm) | S (MM) | d (MM) | P (MM) | # Leads |
|------------------|------|----------------|----------------|---|-------|------|----------------------------|-----------------------|--------|--------|--------|---------|
|                  |      |                |                | +15°C   | +10°C | +5°C |                            |                       |        |        |        |         |
| 0.68             | 1275 | 684MHBS70K2H   | 61             | 4   | 3     | 2.5  | 23                         | 32x20x11              | 27.5   | 0.8    |        | 2       |
| 1                | 1275 | 105MHBS70K2H   | 61             | 5   | 4     | 3    | 17.8                       | 32x22x13              | 27.5   | 1      |        | 2       |
| 1.2              | 1100 | 125MHBS60K2H   | 50             | 4.5   | 3.5   | 2.5  | 18                         | 32x20x11              | 27.5   | 0.8    |        | 2       |
| 1.5              | 1000 | 155MHBS55K2H   | 47             | 4.5   | 3.5   | 2.5  | 17.8                       | 32x20x11              | 27.5   | 0.8    |        | 2       |
| 1.5              | 1100 | 155MHBS60K2H   | 50             | 5   | 4     | 3    | 15.5                       | 32x22x13              | 27.5   | 1      |        | 2       |
| 1.5              | 1275 | 155MHBS70K2H   | 61             | 6   | 4.5   | 3.5  | 14                         | 32x24.5x15            | 27.5   | 1      |        | 2       |
| 2                | 1000 | 205MHBS55K2H   | 47             | 5.5   | 4     | 3    | 14.5                       | 32x22x13              | 27.5   | 1      |        | 2       |
| 2                | 1100 | 205MHBS60K2H   | 50             | 6   | 5     | 3.5  | 12.9                       | 32x24.5x15            | 27.5   | 1      |        | 2       |
| 2                | 1275 | 205MHBS70K2H   | 61             | 8   | 6.5   | 4.5  | 11.5                       | 32x33x18              | 27.5   | 1.2    |        | 2       |
| 2.2              | 800  | 225MHBS45K2H   | 36             | 4.5   | 4     | 3    | 15.3                       | 32x20x11              | 27.5   | 0.8    |        | 2       |
| 2.2              | 900  | 225MHBS50K2H   | 41.5           | 5   | 4     | 3    | 14.7                       | 32x22x13              | 27.5   | 1      |        | 2       |
| 2.2              | 1100 | 225MHBS60K2H   | 50             | 6   | 5     | 3.5  | 12.2                       | 32x24.5x15            | 27.5   | 1      |        | 2       |
| 2.2              | 1275 | 225MHBS70K2H   | 61             | 8.5   | 6.5   | 4.5  | 10.8                       | 32x33x18              | 27.5   | 1.2    |        | 2       |
| 2.2              | 1275 | 225MHBS70K2J   | 41             | 6.5   | 5     | 4    | 12.5                       | 42.5x25x14            | 37.5   | 1.2    |        | 2       |
| 2.5              | 700  | 255MHBS40K2H   | 31             | 4.5   | 4     | 3    | 15.8                       | 32x20x11              | 27.5   | 0.8    |        | 2       |
| 2.5              | 700  | 255MHBS40K2H   | 31             | 4.5   | 3.5   | 3    | 15.8                       | 32x20x11              | 27.5   | 0.8    |        | 2       |
| 2.5              | 900  | 255MHBS50K2H   | 41.5           | 5.5   | 4.5   | 3    | 13.5                       | 32x22x13              | 27.5   | 1      |        | 2       |
| 2.5              | 1000 | 255MHBS55K2H   | 47             | 6   | 5     | 3.5  | 12.8                       | 32x24.5x15            | 27.5   | 1      |        | 2       |
| 2.5              | 1000 | 255MHBS55K2H   | 47             | 6   | 5     | 3.5  | 12.8                       | 32x28x15              | 27.5   | 1.2    |        | 2       |
| 2.5              | 1100 | 255MHBS60K2H   | 50             | 7   | 5.5   | 4    | 10.8                       | 32x28x14              | 27.5   | 1.2    |        | 2       |
| 2.5              | 1275 | 255MHBS70K2H   | 61             | 9   | 7     | 5    | 9.7                        | 32x33x18              | 27.5   | 1.2    |        | 2       |
| 3                | 800  | 305MHBS45K2H   | 36             | 5.5   | 4.5   | 3.5  | 12.4                       | 32x22x13              | 27.5   | 1      |        | 2       |
| 3                | 900  | 305MHBS50K2H   | 41.5           | 6.5   | 5     | 3.5  | 11.9                       | 32x24.5x15            | 27.5   | 1      |        | 2       |
| 3                | 1000 | 305MHBS55K2H   | 47             | 7.5   | 6     | 4    | 11                         | 32x28x14              | 27.5   | 1.2    |        | 2       |
| 3                | 1100 | 305MHBS60K2J   | 34             | 6.5   | 5     | 4    | 11.8                       | 42x25x14              | 37.5   | 1.2    |        | 2       |
| 3                | 1275 | 305MHBS70K2H   | 61             | 9.5   | 7.5   | 5.5  | 8.6                        | 32x33x18              | 27.5   | 1.2    |        | 2       |
| 3                | 1275 | 305MHBS70K2J   | 41             | 8   | 6.5   | 5    | 10.1                       | 42.5x28x17            | 37.5   | 1.2    |        | 2       |
| 3                | 1275 | 305MHBS70KJ##  | 41             | 9.5   | 7.5   | 5.5  | 9.3                        | 42.5x28x17            |        |        |        | lugs    |
| 3.3              | 575  | 335MHBS35K2H   | 27             | 4.5   | 3.5   | 2.5  | 15                         | 32x20x11              | 27.5   | 0.8    |        | 2       |
| 3.3              | 700  | 335MHBS40K2H   | 31             | 5.5   | 4.5   | 3.5  | 13.3                       | 32x22x13              | 27.5   | 1      |        | 2       |
| 3.3              | 900  | 335MHBS50K2H   | 41.5           | 7   | 5.5   | 4    | 11                         | 32x28x14              | 27.5   | 1.2    |        | 2       |
| 3.3              | 1100 | 335MHBS60K2H   | 50             | 9   | 7     | 5    | 9.2                        | 32x33x18              | 27.5   | 1.2    |        | 2       |
| 3.3              | 1275 | 335MHBS70K2H   | 61             | 11  | 8.5   | 6.5  | 8.1                        | 32x37x22              | 27.5   | 1.2    |        | 2       |
| 3.3              | 1275 | 335MHBS70K2J   | 41             | 9   | 7.5   | 5.5  | 9.6                        | 42.5x30x22            | 37.5   | 1.2    |        | 2       |
| 3.3              | 1275 | 335MHBS70KJ##  | 41             | 10.5  | 8.5   | 6    | 8.8                        | 42.5x30x22            |        |        |        | lugs    |
| 3.3              | 1275 | 335MHBS70K4H   | 61             | 12  | 9     | 6.5  | 7.5                        | 32x37x22              | 27.5   | 1.2    | 10.2   | 4       |
| 4                | 800  | 405MHBS45K2H   | 36             | 6.5   | 5.5   | 4    | 10.8                       | 32x24.5x15            | 27.5   | 1      |        | 2       |
| 4                | 1000 | 405MHBS55K2J   | 31             | 7   | 5.5   | 4    | 11                         | 42.5x25x14            | 37.5   | 1.2    |        | 2       |
| 4                | 1100 | 405MHBS60KJ##  | 34             | 9.5   | 7.5   | 5.5  | 9.1                        | 42.5x28x17            |        |        |        | lugs    |
| 4                | 1100 | 405MHBS60K2H   | 50             | 9.5   | 7.5   | 5.5  | 8.1                        | 32x33x18              | 27.5   | 1.2    |        | 2       |
| 4                | 1100 | 405MHBS60K2J   | 34             | 8.5   | 6.5   | 4.5  | 9.9                        | 42.5x28x17            | 37.5   | 1.2    |        | 2       |
| 4                | 1100 | 405MHBS60K4H   | 50             | 10.5  | 8.5   | 6    | 7.5                        | 32x33x18              | 27.5   | 1.2    | 5.1    | 4       |
| 4                | 1275 | 405MHBS70K4H   | 61             | 13.5  | 10.5  | 7.5  | 6.5                        | 32x37x22              | 27.5   | 1.2    | 10.2   | 4       |
| 4                | 1275 | 405MHBS70K2H   | 61             | 12  | 9.5   | 7    | 7.1                        | 32x37x22              | 27.5   | 1.2    |        | 2       |
| 4                | 1275 | 405MHBS70KJ##  | 41             | 11.5  | 9     | 6.5  | 7.9                        | 42.5x30x22            |        |        |        | lugs    |
| 4                | 1275 | 405MHBS70K2J   | 41             | 10  | 8     | 6    | 8.7                        | 42.5x30x22            | 37.5   | 1.2    |        | 2       |
| 4.7              | 575  | 475MHBS35K2H   | 27             | 5.5   | 4.5   | 3.5  | 11.6                       | 32x22x13              | 27.5   | 1      |        | 2       |
| 4.7              | 700  | 475MHBS40K2H   | 31             | 6.5   | 5.5   | 4    | 10.5                       | 32x24.5x15            | 27.5   | 1      |        | 2       |
| 4.7              | 900  | 475MHBS50K2J   | 28             | 7   | 5.5   | 4    | 10.6                       | 42.5x25x14            | 27.5   | 1.2    |        | 2       |
| 4.7              | 1000 | 475MHBS55K2H   | 47             | 9.5   | 7.5   | 5.5  | 8.3                        | 32x33x18              | 27.5   | 1.2    |        | 2       |
| 4.7              | 1000 | 475MHBS55K2J   | 31             | 8.5   | 6.5   | 4.5  | 9.6                        | 42.5x28x17            | 37.5   | 1.2    |        | 2       |
| 4.7              | 1000 | 475MHBS55K4H   | 47             | 10.5  | 8.5   | 6    | 7.7                        | 32x33x18              | 27.5   | 1.2    | 10.2   | 4       |
| 4.7              | 1000 | 475MHBS55K2J   | 31             | 8.5   | 6.5   | 4.5  | 9.6                        | 42.5x28x17            | 37.5   | 1.2    |        | 2       |
| 4.7              | 1000 | 475MHBS55KJ##  | 31             | 9.5   | 7.5   | 5.5  | 8.7                        | 42.5x28x17            |        |        |        | lugs    |
| 4.7              | 1100 | 475MHBS60KJ##  | 34             | 11.5  | 8.5   | 6.5  | 7.5                        | 42.5x30x22            |        |        |        | lugs    |
| 4.7              | 1100 | 475MHBS60K2H   | 50             | 11.5  | 9     | 7    | 7.4                        | 32x37x22              | 27.5   | 1.2    |        | 2       |
| 4.7              | 1100 | 475MHBS60K2J   | 34             | 10  | 7.5   | 5.5  | 8.3                        | 42.5x30x22            | 37.5   | 1.2    |        | 2       |
| 4.7              | 1100 | 475MHBS60K4H   | 50             | 12.5  | 10    | 7.5  | 6.8                        | 32x37x22              | 27.5   | 1.2    | 10.2   | 4       |

# MHBS

2,4,6, lug lead radial box

| Capacitance (µF) | WVDC | IC PART NUMBER | dv/dt (V/µsec) | Maximum RMS Ripple Current (A) 100 kHz, +70°C |       |      | Typical ESR (mΩ) **, +25°C | Dimensions LxHxT (mm) | S (MM) | d (MM) | P (MM) | # Leads |
|------------------|------|----------------|----------------|---|-------|------|----------------------------|-----------------------|--------|--------|--------|---------|
|                  |      |                |                | +15°C   | +10°C | +5°C |                            |                       |        |        |        |         |
| 4.7              | 1275 | 475MHBS70K4J   | 41             | 11.5  | 9     | 6.5  | 7.3                        | 42.5x33.5x22          | 37.5   | 1.2    | 5.1    | 4       |
| 4.7              | 1275 | 475MHBS70K2J   | 41             | 10.5  | 8.5   | 6    | 7.9                        | 42.5x33.5x22          | 37.5   | 1.2    |        | 2       |
| 4.7              | 1275 | 475MHBS70KJ##  | 41             | 12.5  | 10    | 7.5  | 7.1                        | 42.5x33.5x22          |        |        |        | lugs    |
| 5                | 575  | 505MHBS35K2H   | 27             | 6   | 4.5   | 3.5  | 11                         | 32x22x13              | 27.5   | 1      |        | 2       |
| 5                | 700  | 505MHBS40K2H   | 31             | 7   | 5.5   | 4    | 9.7                        | 32x24.5x15            | 27.5   | 1.2    |        | 2       |
| 5                | 800  | 505MHBS45K2J   | 24             | 7.5   | 6     | 4    | 10.3                       | 42.5x25x14            | 37.5   | 1.2    |        | 2       |
| 5                | 800  | 505MHBS45K2H   | 36             | 7.5   | 6     | 4    | 10.5                       | 32x28x14              | 27.5   | 1.2    |        | 2       |
| 5                | 1000 | 505MHBS55KJ##  | 31             | 10.5  | 8.5   | 6    | 8.5                        | 42.5x28x17            |        |        |        | lugs    |
| 5                | 1000 | 505MHBS55K2H   | 47             | 10  | 7.5   | 5.5  | 8                          | 32x33x18              | 27.5   | 1.2    |        | 2       |
| 5                | 1000 | 505MHBS55K2J   | 31             | 9.5   | 7.5   | 5.5  | 9.3                        | 42.5x28x17            | 37.5   | 1.2    |        | 2       |
| 5                | 1000 | 505MHBS55K4H   | 47             | 11  | 9     | 6.5  | 7.4                        | 32x33x18              | 27.5   | 1.2    | 10.2   | 4       |
| 5                | 1100 | 505MHBS60K4H   | 50             | 13  | 10.5  | 7.5  | 6.6                        | 32x37x22              | 27.5   | 1.2    | 10.2   | 4       |
| 5                | 1100 | 505MHBS60KJ##  | 34             | 12  | 9     | 6.5  | 7.3                        | 42.5x30x22            |        |        |        | lugs    |
| 5                | 1100 | 505MHBS60K2J   | 34             | 10.5  | 8     | 5.5  | 8.1                        | 42.5x30x22            | 37.5   | 1.2    |        | 2       |
| 5                | 1100 | 505MHBS60K2H   | 50             | 12  | 9.5   | 7    | 7.2                        | 32x37x22              | 27.5   | 1.2    |        | 2       |
| 5                | 1275 | 505MHBS70K2H   | 41             | 10.5  | 8.5   | 6.5  | 7.7                        | 42.5x33.5x22          | 37.5   | 1.2    |        | 2       |
| 5                | 1275 | 505MHBS70KJ##  | 41             | 12.5  | 10    | 7.5  | 6.9                        | 42.5x33.5x22          |        |        |        | lugs    |
| 5                | 1275 | 505MHBS70K4J   | 41             | 11.5  | 9     | 6.5  | 7.1                        | 42.5x33.5x22          | 37.5   | 1.2    | 5.1    | 4       |
| 6                | 900  | 605MHBS50K2J   | 42.5           | 9   | 7     | 5    | 9.2                        | 42.5x18x17            | 37.5   | 1.2    |        | 4       |
| 6                | 900  | 605MHBS50KJ##  | 28             | 10.5  | 8.5   | 6    | 8.4                        | 42.5x28x17            |        |        |        | lugs    |
| 6                | 900  | 605MHBS50K2H   | 41.5           | 9.5   | 7.5   | 5.5  | 7.6                        | 32x33x18              | 27.5   | 1.2    |        | 2       |
| 6                | 900  | 605MHBS50K4H   | 41.5           | 10.5  | 8.5   | 6    | 7                          | 32x33x18              | 27.5   | 1.2    | 5.1    | 2       |
| 6.8              | 575  | 685MHBS35K2H   | 27             | 7   | 5.5   | 4    | 9.4                        | 32x24.5x15            | 27.5   | 1      |        | 2       |
| 6.8              | 800  | 685MHBS45K2H   | 36             | 9.5   | 7.5   | 5.5  | 7.6                        | 32x33x18              | 27.5   | 1.2    |        | 2       |
| 6.8              | 1000 | 685MHBS55K2H   | 47             | 12  | 10    | 7.5  | 6.9                        | 32x37x22              | 27.5   | 1.2    |        | 2       |
| 6.8              | 1000 | 685MHBS55K2J   | 31             | 10  | 8     | 6    | 7.9                        | 42.5x30x22            | 37.5   | 1.2    |        | 2       |
| 6.8              | 1000 | 685MHBS55KJ##  | 31             | 11.5  | 9     | 7    | 7.1                        | 42.5x30x22            |        |        |        | lugs    |
| 6.8              | 1000 | 685MHBS55K4H   | 47             | 13.5  | 11    | 8    | 6.3                        | 32x37x22              | 27.5   | 1.2    | 10.2   | 4       |
| 6.8              | 1100 | 685MHBS60KJ##  | 34             | 13  | 10.5  | 7.5  | 6.1                        | 42.5x33.5x22          |        |        |        | lugs    |
| 6.8              | 1100 | 685MHBS60K2J   | 34             | 11  | 9     | 6.5  | 6.9                        | 42.5x33.5x22          | 37.5   | 1.2    |        | 2       |
| 6.8              | 1100 | 685MHBS60K4J   | 34             | 12  | 9.5   | 7    | 6.3                        | 42.5x33.5x22          | 37.5   | 1.2    | 5.1    | 4       |
| 6.8              | 1275 | 685MHBS70K4JA  | 41             | 14.5  | 11.5  | 8.5  | 5.9                        | 41.5x44x24            | 37.5   | 1.2    | 10.2   | 4       |
| 6.8              | 1275 | 685MHBS70K2JA  | 41             | 13.5  | 11    | 8    | 6.5                        | 41.5x44x24            | 37.5   | 1.2    |        | 2       |
| 6.8              | 1275 | 685MHBS70KJ##  | 41             | 16  | 12.5  | 9.5  | 5.7                        | 41.5x44x24            |        |        |        | lugs    |
| 7.5              | 575  | 755MHBS35K2H   | 27             | 8   | 6.5   | 4.5  | 8.6                        | 32x28x14              | 27.5   | 1.2    |        | 2       |
| 7.5              | 700  | 755MHBS40K2J   | 21             | 7.5   | 6     | 4.5  | 9.2                        | 42.5x25x14            | 37.5   | 1.2    |        | 2       |
| 7.5              | 800  | 755MHBS45K2H   | 36             | 10.5  | 8.5   | 6    | 7.1                        | 32x33x18              | 27.5   | 1.2    |        | 2       |
| 7.5              | 800  | 755MHBS45K2J   | 24             | 9   | 7     | 5    | 8.3                        | 42.5x28x17            | 37.5   | 1.2    |        | 2       |
| 7.5              | 800  | 755MHBS45K4H   | 36             | 11.5  | 9     | 6.5  | 6.5                        | 32x33x18              | 27.5   | 1.2    | 5.1    | 4       |
| 7.5              | 800  | 755MHBS45KJ##  | 24             | 10.5  | 8.5   | 6    | 7.5                        | 42.5x28x17            |        |        |        | lugs    |
| 7.5              | 900  | 755MHBS50KH##  | 28             | 12  | 9.5   | 7    | 7.2                        | 42.5x30x22            |        |        |        | lugs    |
| 7.5              | 900  | 755MHBS50K2J   | 28             | 10  | 8     | 5.5  | 8                          | 42.5x30x22            | 37.5   | 1.2    |        | 2       |
| 7.5              | 900  | 755MHBS50K4H   | 41.5           | 13.5  | 10.5  | 8    | 6.3                        | 32x37x22              | 27.5   | 1.2    | 10.2   | 4       |
| 7.5              | 900  | 755MHBS50K2H   | 41.5           | 12.5  | 9.5   | 7    | 6.9                        | 32x37x22              | 27.5   | 1.2    |        | 2       |
| 7.5              | 1000 | 755MHBS55K4J   | 31             | 12  | 9.5   | 7    | 6.8                        | 42.5x33.5x22          | 37.5   | 1.2    | 5.1    | 4       |
| 7.5              | 1000 | 755MHBS55K2J   | 31             | 11  | 8.5   | 6.5  | 7.4                        | 42.5x33.5x22          | 37.5   | 1.2    |        | 2       |
| 7.5              | 1000 | 755MHBS55KJ##  | 31             | 13  | 10.5  | 7.5  | 6.6                        | 42.5x33.5x22          |        |        |        | lugs    |
| 7.5              | 1100 | 755MHBS60KJ##  | 34             | 14  | 11.5  | 8.5  | 5.8                        | 41.5x40x20            |        |        |        | lugs    |
| 7.5              | 1100 | 755MHBS70K2J   | 41             | 14  | 11.5  | 8.5  | 6.1                        | 42.5x37x28            | 37.5   | 1.2    |        | 2       |
| 7.5              | 1100 | 755MHBS70KJ##  | 41             | 17.5  | 13.5  | 10   | 5.3                        | 42.5x37x28            |        |        |        | lugs    |
| 7.5              | 1100 | 755MHBS60K2J   | 34             | 11.5  | 9.5   | 6.5  | 6.6                        | 42.5x33.5x22          | 37.5   | 1.2    |        | 2       |
| 7.5              | 1100 | 755MHBS60K4J   | 34             | 12.5  | 10.5  | 7.5  | 6                          | 42.5x33.5x22          | 37.5   | 1.2    | 10.2   | 4       |
| 7.5              | 1100 | 755MHBS70K4J   | 41             | 16  | 12.5  | 9    | 5.5                        | 42.5x37x28            | 37.5   | 1.2    | 10.2   | 4       |
| 7.5              | 1275 | 755MHBS70K4JA  | 41             | 16  | 12.5  | 9    | 5.5                        | 41.5x44x24            | 37.5   | 1.2    | 10.2   | 4       |
| 7.5              | 1275 | 755MHBS70K2JA  | 41             | 14  | 11.5  | 8.5  | 6.1                        | 41.5x44x24            | 37.5   | 1.2    |        | 2       |
| 7.5              | 1275 | 755MHBS70KJ##  | 41             | 17.5  | 13.5  | 10   | 5.3                        | 41.5x44x24            |        |        |        | lugs    |
| 9                | 1000 | 905MHBS55KJ##  | 31             | 15.5  | 12    | 8.5  | 5.8                        | 41.5x40x20            |        |        |        | lugs    |
| 9                | 1000 | 905MHBS55K2JA  | 31             | 13  | 10    | 7.5  | 6.6                        | 41.5x40x20            | 37.5   | 1.2    |        | 2       |

# MHBS

2,4,6, lug lead radial box

| Capacitance (µF) | WVDC | IC PART NUMBER  | dv/dt (V/µsec) | Maximum RMS Ripple Current (A) 100 kHz, +70°C |       |      | Typical ESR (mΩ) **, +25°C | Dimensions LxHxT (mm) | S (MM) | d (MM) | P (MM) | # Leads |
|------------------|------|-----------------|----------------|---|-------|------|----------------------------|-----------------------|--------|--------|--------|---------|
|                  |      |                 |                | +15°C   | +10°C | +5°C |                            |                       |        |        |        |         |
| 9                | 1000 | 905MHBS55K4JA   | 31             | 14.5  | 11    | 8    | 6                          | 41.5x40x20            | 37.5   | 1.2    | 10.2   | 4       |
| 10               | 575  | 106MHBS35K2H    | 27             | 10  | 8     | 5.5  | 7                          | 32x33x18              | 27.5   | 1.2    |        | 2       |
| 10               | 800  | 106MHBS45K2H    | 36             | 13  | 10.5  | 7.5  | 5.9                        | 32x37x22              | 27.5   | 1.2    |        | 2       |
| 10               | 800  | 106MHBS45K4H    | 24             | 14.5  | 11.5  | 8.5  | 5.3                        | 32x37x22              | 27.5   | 1.2    | 10.2   | 4       |
| 10               | 800  | 106MHBS45K4J    | 24             | 11.5  | 9     | 6.5  | 6.4                        | 42.5x30x22            | 37.5   | 1.2    | 5.1    | 4       |
| 10               | 800  | 106MHBS45K2J    | 24             | 10.5  | 8.5   | 6    | 7                          | 42.5x30x22            | 37.5   | 1.2    |        | 2       |
| 10               | 800  | 106MHBS45KJ##   | 24             | 12.5  | 10    | 7.5  | 6.2                        | 42.5x30x22            |        |        |        | lugs    |
| 10               | 900  | 106MHBS50KJ##   | 28             | 13.5  | 10.5  | 8    | 6                          | 42.5x33.5x22          |        |        |        | lugs    |
| 10               | 900  | 106MHBS50K2J    | 28             | 11.5  | 9     | 6.5  | 6.8                        | 42.5x33.5x22          | 37.5   | 1.2    |        | 2       |
| 10               | 900  | 106MHBS50K4J    | 28             | 12.5  | 9.5   | 7    | 6.2                        | 42.5x33.5x22          | 37.5   | 1.2    | 5.1    | 4       |
| 10               | 1000 | 106MHBS55K4JA   | 31             | 15  | 11.5  | 8.5  | 5.7                        | 41.5x40x20            | 37.5   | 1.2    | 10.2   | 4       |
| 10               | 1000 | 106MHBS55K2JA   | 31             | 13.5  | 10.5  | 8    | 6.3                        | 41.5x40x20            | 37.5   | 1.2    |        | 2       |
| 10               | 1100 | 106MHBS60K2J    | 34             | 14  | 12.5  | 9    | 5.5                        | 42.5x37x28            | 37.5   | 1.2    |        | 2       |
| 10               | 1100 | 106MHBS60KJ##   | 34             | 18.5  | 14.5  | 10.5 | 4.7                        | 42.5x37x28            |        |        |        | lugs    |
| 10               | 1100 | 106MHBS60K2JA   | 34             | 14  | 12.5  | 9    | 5.5                        | 41.5x44x24            | 37.5   | 1.2    |        | 2       |
| 10               | 1100 | 106MHBS60K4JA## | 34             | 18.5  | 14.5  | 10.5 | 4.7                        | 41.5x44x24            |        |        |        | lugs    |
| 10               | 1100 | 106MHBS60K4JA   | 34             | 17  | 13.5  | 10   | 4.9                        | 41.5x44x24            | 37.5   | 1.2    | 10.2   | 4       |
| 10               | 1100 | 106MHBS60K4J    | 34             | 17  | 13.5  | 10   | 4.9                        | 42.5x37x28            | 37.5   | 1.2    | 10.2   | 4       |
| 10               | 1275 | 106MHBS70K4J    | 41             | 18  | 14    | 10.5 | 4.5                        | 42.5x45x30            | 37.5   | 1.2    | 20.3   | 4       |
| 10               | 1275 | 106MHBS70KJ##   | 41             | 20  | 15.5  | 11.5 | 4.3                        | 42.5x45x30            |        |        |        | lugs    |
| 10               | 1275 | 106MHBS70K2J    | 41             | 14  | 13    | 9.5  | 5.1                        | 42.5x45x30            | 37.5   | 1.2    |        | 2       |
| 12               | 575  | 126MHBS35KJ##   | 19             | 11  | 8.5   | 6.5  | 6.6                        | 42.5x28x17            |        |        |        | lugs    |
| 12               | 575  | 126MHBS35K2H    | 27             | 11  | 8.5   | 6.5  | 6.1                        | 32x33x18              | 27.5   | 1.2    |        | 2       |
| 12               | 575  | 126MHBS35K2J    | 19             | 9.5   | 7.5   | 5.5  | 7.4                        | 42.5x28x17            | 37.5   | 1.2    |        | 2       |
| 12               | 700  | 126MHBS40K2H    | 31             | 13  | 10.5  | 7.5  | 5.8                        | 32x37x22              | 27.5   | 1.2    |        | 2       |
| 12               | 700  | 126MHBS40K2J    | 21             | 11  | 8.5   | 6.5  | 6.4                        | 42.5x30x22            | 37.5   | 1.2    |        | 2       |
| 12               | 700  | 126MHBS40K4H    | 31             | 14.5  | 11.5  | 8.5  | 5.2                        | 32x37x22              | 27.5   | 1.2    | 10.2   | 4       |
| 12               | 700  | 126MHBS40KJ##   | 21             | 13  | 10    | 7.5  | 5.6                        | 42.5x30x22            |        |        |        | lugs    |
| 12               | 800  | 126MHBS45KJ##   | 24             | 13.5  | 11    | 8    | 5.6                        | 42.5x33.5x22          |        |        |        | lugs    |
| 12               | 800  | 126MHBS45K4J    | 24             | 12.5  | 10    | 7.5  | 5.8                        | 42.5x33.5x22          | 37.5   | 1.2    | 5.1    | 4       |
| 12               | 800  | 126MHBS45K2J    | 24             | 11.5  | 9     | 7    | 6.4                        | 42.5x33.5x22          | 37.5   | 1.2    |        | 2       |
| 12               | 900  | 126MHBS50K4JA   | 28             | 14.5  | 11.5  | 8    | 5.7                        | 41.5x40x20            | 37.5   | 1.2    | 10.2   | 4       |
| 12               | 900  | 126MHBS50KJA##  | 28             | 15.5  | 12.5  | 9    | 5.5                        | 41.5x40x20            |        |        |        | lugs    |
| 12               | 900  | 126MHBSA50K2JA  | 28             | 13.5  | 11    | 7.5  | 6.3                        | 41.5x40x20            | 37.5   | 1.2    |        | 2       |
| 12               | 1000 | 126MHBS55K2JA   | 31             | 14  | 12    | 9    | 5.7                        | 41.5x44x24            | 37.5   | 1.2    |        | 2       |
| 12               | 1000 | 126MHBS55KJ##   | 31             | 18  | 14    | 10.5 | 4.9                        | 42.5x37x28            |        |        |        | lugs    |
| 12               | 1000 | 126MHBS55K4JA## | 31             | 16.5  | 13.5  | 10   | 4.9                        | 41.5x44x24            |        |        |        | lugs    |
| 12               | 1000 | 126MHBS55K4JA   | 31             | 16.5  | 13.5  | 9.5  | 5.1                        | 41.5x44x24            | 37.5   | 1.2    | 10.2   | 4       |
| 12               | 1000 | 126MHBS55K4J    | 31             | 16.5  | 13.5  | 9.5  | 5.1                        | 42.5x37x28            | 37.5   | 1.2    | 10.2   | 4       |
| 12               | 1000 | 126MHBS55K2J    | 31             | 14  | 12    | 9    | 5.7                        | 42.5x37x28            | 37.5   | 1.2    |        | 2       |
| 12               | 1100 | 126MHBS60K4J    | 34             | 18.5  | 14.5  | 10.5 | 4.4                        | 42.5x45x30            | 37.5   | 1.2    | 20.3   | 4       |
| 12               | 1100 | 126MHBS60KJ##   | 34             | 20  | 15.5  | 11.5 | 4.2                        | 42.5x45x30            |        |        |        | lugs    |
| 12               | 1100 | 126MHBS60K2J    | 34             | 14  | 13.5  | 10   | 5                          | 42.5x45x30            | 37.5   | 1.2    |        | 2       |
| 12               | 1275 | 126MHBS70K2R    | 28             | 14  | 12.5  | 9    | 6                          | 57.5x45x30            | 52.5   | 1.2    |        | 2       |
| 12               | 1275 | 126MHBS70KR##   | 28             | 18.5  | 14.5  | 10   | 5.2                        | 57.5x45x30            |        |        |        | lugs    |
| 12               | 1275 | 126MHBS70K4R    | 28             | 17  | 13.5  | 9.5  | 5.4                        | 57.5x45x30            | 52.5   | 1.2    | 20.3   | 4       |
| 15               | 575  | 156MHBS35K2H    | 27             | 13.5  | 10.5  | 7.5  | 5.6                        | 32x37x22              | 27.5   | 1.2    |        | 2       |
| 15               | 575  | 156MHBS35K2J    | 19             | 11  | 8.5   | 6.5  | 6.4                        | 42.5x30x22            | 37.5   | 1.2    |        | 2       |
| 15               | 575  | 156MHBS35K4H    | 27             | 14.5  | 11.5  | 8.5  | 4.9                        | 32x37x22              | 27.5   | 1.2    | 10.2   | 2       |
| 15               | 575  | 156MHBS35KJ##   | 19             | 13  | 10    | 7.5  | 5.6                        | 42.5x30x22            |        |        |        | lugs    |
| 15               | 700  | 156MHBS40KJ##   | 21             | 14.5  | 11.5  | 8.5  | 4.7                        | 42.5x33.5x22          |        |        |        | lugs    |
| 15               | 700  | 156MHBS40K2J    | 21             | 12  | 9.5   | 7    | 5.5                        | 42.5x33.5x22          | 37.5   | 1.2    |        | 2       |
| 15               | 700  | 156MHBS40K4J    | 21             | 13.5  | 10.5  | 7.5  | 4.9                        | 42.5x33.5x22          | 37.5   | 1.2    | 5.1    | 4       |
| 15               | 800  | 156MHBS45K4JA   | 24             | 15  | 12    | 8.5  | 5                          | 41.5x40x20            | 37.5   | 1.2    | 10.2   | 4       |
| 15               | 800  | 156MHBS45K2JA   | 24             | 13.5  | 11    | 8    | 5.6                        | 41.5x40x20            | 37.5   | 1.2    |        | 2       |
| 15               | 900  | 156MHBS50K2JA   | 28             | 14  | 12.5  | 9.5  | 5.3                        | 41.5x44x24            | 37.5   | 1.2    |        | 2       |
| 15               | 900  | 156MHBS50K4JA   | 28             | 17  | 14    | 10.5 | 4.7                        | 41.5x44x24            | 37.5   | 1.2    | 10.2   | 4       |
| 15               | 900  | 156MHBS50K4J    | 28             | 15.5  | 12.5  | 9    | 4.7                        | 42.5x37x28            | 37.5   | 1.2    | 10.2   | 4       |



# MHBS

2,4,6, lug lead radial box

| Capacitance (µF) | WVDC | IC PART NUMBER | dv/dt (V/µsec) | Maximum RMS Ripple Current (A) 100 kHz, +70°C |       |      | Typical ESR (mΩ) **, +25°C | Dimensions LxHxT (mm) | S (MM) | d (MM) | P (MM) | # Leads |
|------------------|------|----------------|----------------|---|-------|------|----------------------------|-----------------------|--------|--------|--------|---------|
|                  |      |                |                | +15°C   | +10°C | +5°C |                            |                       |        |        |        |         |
| 15               | 900  | 156MHBS50KJ##  | 28             | 17.5  | 14    | 10.5 | 4.5                        | 42.5x37x28            |        |        |        | lugs    |
| 15               | 900  | 156MHBS50KJA## | 28             | 18.5  | 15    | 11.5 | 4.5                        | 41.5x44x24            |        |        |        | lugs    |
| 15               | 900  | 156MHBS50KJ##  | 28             | 17  | 14    | 10.5 | 4.5                        | 42.5x37x28            |        |        |        | lugs    |
| 15               | 900  | 156MHBS50K2JA  | 28             | 14  | 12.5  | 9.5  | 5.3                        | 41.5x44x24            | 37.5   | 1.2    |        | 2       |
| 15               | 900  | 156MHBS50K2J   | 28             | 14  | 11.5  | 8    | 5.3                        | 42.5x37x28            | 37.5   | 1.2    |        | 2       |
| 15               | 1000 | 156MHBS55K2J   | 31             | 14  | 13.5  | 10   | 5                          | 42.5x45x30            | 37.5   | 1.2    |        | 2       |
| 15               | 1000 | 156MHBS55KJ##  | 31             | 20  | 16    | 12   | 4.2                        | 42.5x45x30            |        |        |        | lugs    |
| 15               | 1000 | 156MHBS55K4J   | 31             | 18  | 14.5  | 11   | 4.4                        | 42.5x45x30            | 37.5   | 1.2    | 20.3   | 4       |
| 15               | 1275 | 156MHBS70K4R   | 28             | 18  | 14.5  | 10.5 | 4.8                        | 57.5x45x30            | 52.5   | 1.2    | 20.3   | 4       |
| 15               | 1275 | 156MHBS70KR##  | 28             | 19.5  | 15.5  | 11.5 | 4.6                        | 57.5x45x30            |        |        |        | lugs    |
| 15               | 1275 | 156MHBS70K2R   | 28             | 14  | 13    | 10   | 5.4                        | 57.5x45x30            | 52.5   | 1.2    |        | 2       |
| 20               | 575  | 206MHBS35KJA## | 19             | 16.5  | 12.5  | 9.5  | 4.8                        | 41.5x40x20            |        |        |        | lugs    |
| 20               | 575  | 206MHBS35K4JA  | 19             | 15  | 12    | 8.5  | 5                          | 41.5x40x20            | 37.5   | 1.2    | 10.2   | 4       |
| 20               | 575  | 206MHBS35K2JA  | 19             | 13.5  | 11    | 8    | 5.6                        | 41.5x40x20            | 37.5   | 1.2    |        | 2       |
| 20               | 700  | 206MHBS40K2J   | 21             | 14  | 11.5  | 8.5  | 4.9                        | 42.5x37x28            | 37.5   | 1.2    |        | 2       |
| 20               | 700  | 206MHBS40K4J   | 21             | 18.5  | 14.5  | 10.5 | 4.1                        | 42.5x37x28            | 37.5   | 1.2    | 10.2   | 4       |
| 20               | 700  | 206MHBS40KJ##  | 21             | 17.5  | 14    | 10   | 4.1                        | 42.5x37x28            |        |        |        | lugs    |
| 20               | 800  | 206MHBS45K4JA  | 24             | 18  | 14.5  | 10.5 | 4.2                        | 41.5x44x24            | 37.5   | 1.2    | 10.2   | 4       |
| 20               | 800  | 206MHBS45K2JA  | 24             | 14  | 13    | 9.5  | 4.8                        | 41.5x44x24            | 37.5   | 1.2    |        | 2       |
| 20               | 900  | 206MHBS50K2J   | 28             | 14  | 14    | 10.5 | 4.5                        | 42.5x45x30            | 37.5   | 1.2    |        | 2       |
| 20               | 900  | 206MHBS50KJ##  | 28             | 21  | 16.5  | 12   | 3.7                        | 42.5x45x30            | 37.5   |        |        | lugs    |
| 20               | 900  | 206MHBS50K4J   | 28             | 19  | 15    | 11   | 3.9                        | 42.5x45x30            | 37.5   | 1.2    | 20.3   | 4       |
| 20               | 1100 | 206MHBS60KR##  | 23             | 21  | 17    | 12.5 | 4                          | 57.5x45x30            |        |        |        | lugs    |
| 20               | 1100 | 206MHBS60K2R   | 23             | 14  | 13.5  | 10   | 4.8                        | 57.5x45x30            | 52.5   | 1.2    |        | 2       |
| 20               | 1100 | 206MHBS60K4R   | 23             | 19  | 15    | 11   | 4.2                        | 57.5x45x30            | 52.5   | 1.2    | 20.3   | 4       |
| 20               | 1275 | 206MHBS70K4R   | 28             | 21.5  | 17.5  | 12   | 4                          | 57.5x50x35            | 52.5   | 1.2    | 20.3   | 4       |
| 20               | 1275 | 206MHBS70K2R   | 28             | 14  | 14    | 11.5 | 4.6                        | 57.5x50x35            | 52.5   | 1.2    |        | 2       |
| 20               | 1275 | 206MHBS70KR##  | 28             | 23.5  | 19    | 13.5 | 3.8                        | 57.5x50x35            |        |        |        | lugs    |
| 22               | 700  | 226MHBS40K2J   | 21             | 14  | 13    | 9.5  | 4.6                        | 42.5x37x28            | 37.5   | 1.2    |        | 2       |
| 22               | 700  | 226MHBS40KJA## | 21             | 18.5  | 14.5  | 10.5 | 3.8                        | 41.5x44x24            |        |        |        | lugs    |
| 22               | 700  | 226MHBS40K4JA  | 21             | 16.5  | 13.5  | 10   | 4                          | 41.5x44x24            | 37.5   | 1.2    | 10.2   | 4       |
| 22               | 700  | 226MHBS40K4J   | 21             | 17.5  | 14    | 10.5 | 4                          | 42.5x37.5x28          | 37.5   | 1.2    | 10.2   | 4       |
| 22               | 700  | 226MHBS40K2JA  | 21             | 14  | 12    | 9    | 4.6                        | 41.5x44x24            | 37.5   | 1.2    |        | 2       |
| 22               | 700  | 226MHBS40KJ##  | 21             | 19.5  | 15.5  | 11.5 | 3.8                        | 42.5x37.5x28          |        |        |        | 2       |
| 22               | 800  | 226MHBS45K4J   | 24             | 14  | 13.5  | 10   | 4.6                        | 42.5x45x30            | 37.5   | 1.2    |        | 2       |
| 22               | 800  | 226MHBS45K4J   | 24             | 18.5  | 14.5  | 10.5 | 4                          | 42.5x45x30            | 37.5   | 1.2    | 20.3   | 4       |
| 22               | 800  | 226MHBS45KJ##  | 24             | 20.5  | 16    | 12   | 3.8                        | 42.5x45x30            |        |        |        | lugs    |
| 22               | 1000 | 226MHBS55KR##  | 21             | 20.5  | 16.5  | 12   | 4.3                        | 57.5x45x30            |        |        |        | lugs    |
| 22               | 1000 | 226MHBS55K2R   | 21             | 14  | 13.5  | 10   | 5.1                        | 57.5x45x30            | 52.5   | 1.2    |        | 2       |
| 22               | 1000 | 226MHBS55K4R   | 21             | 18.5  | 15    | 11   | 4.5                        | 57.5x45x30            | 52.5   | 1.2    | 20.3   | 4       |
| 22               | 1100 | 226MHBS60K4R   | 23             | 21  | 17    | 12   | 4                          | 57.5x50x35            | 52.5   | 1.2    | 20.3   | 4       |
| 22               | 1100 | 226MHBS60K2R   | 23             | 14  | 14    | 11   | 4.6                        | 57.5x50x35            | 52.5   | 1.2    |        | 2       |
| 22               | 1100 | 226MHBS60KR##  | 23             | 23  | 18.5  | 13   | 3.8                        | 57.5x50x35            |        |        |        | lugs    |
| 25               | 575  | 256MHBS35KJ##  | 19             | 17  | 13.5  | 10   | 4.2                        | 42.5x37x28            |        |        |        | lugs    |
| 25               | 575  | 256MHBS35K4J   | 19             | 15.5  | 12.5  | 9    | 4.4                        | 42.5x37x28            | 37.5   | 1.2    | 10.2   | 4       |
| 25               | 575  | 256MHBS35K2J   | 19             | 14  | 11.5  | 8.5  | 5                          | 42.5x37x28            | 37.5   | 1.2    |        | 2       |
| 25               | 700  | 256MHBS40K2JA  | 21             | 14  | 13.5  | 10   | 4.3                        | 41.5x44x24            | 37.5   | 1.2    |        | 2       |
| 25               | 700  | 256MHBS40K4JA  | 21             | 19  | 15    | 11   | 3.7                        | 41.5x44x24            | 37.5   | 1.2    | 10.2   | 4       |
| 25               | 700  | 256MHBS40KJA## | 21             | 21  | 16.5  | 12   | 3.5                        | 41.5x44x24            |        |        |        | lugs    |
| 25               | 800  | 256MHBS45KJ##  | 24             | 22  | 17    | 12.5 | 3.5                        | 42.5x45x30            |        |        |        | lugs    |
| 25               | 800  | 256MHBS45K4J   | 24             | 19.5  | 15.5  | 11.5 | 3.7                        | 42.5x45x30            | 37.5   | 1.2    | 20.3   | 4       |
| 25               | 800  | 256MHBS45K2J   | 24             | 14  | 14    | 10.5 | 4.3                        | 42.5x45x30            | 37.5   | 1.2    |        | 2       |
| 25               | 900  | 256MHBS50K2R   | 18.5           | 14  | 13    | 10   | 5.3                        | 57.5x45x30            | 52.5   | 1.2    |        | 2       |
| 25               | 900  | 256MHBS50KR##  | 18.5           | 19.5  | 16    | 11.5 | 4.5                        | 57.5x45x30            |        |        |        | lugs    |
| 25               | 900  | 256MHBS50K4R   | 18.5           | 18  | 15    | 11   | 4.7                        | 57.5x45x30            | 52.5   | 1.2    | 20.3   | 4       |
| 25               | 1100 | 256MHBS70K4R   | 28             | 23  | 19    | 13.5 | 3.6                        | 57.5x57.5x38          | 52.5   | 1.2    | 20.3   | 4       |
| 25               | 1100 | 256MHBS70K6R   | 28             | 24  | 19.5  | 14   | 3.4                        | 57.5x57.5x38          | 52.5   | 1.2    | 10.2   | 6       |
| 25               | 1100 | 256MHBS60KR##  | 23             | 24  | 19.5  | 14   | 3.6                        | 57.5x50x35            | 52.5   |        |        | lugs    |

# MHBS

2,4,6, lug lead radial box

| Capacitance (µF) | WVDC | IC PART NUMBER | dv/dt (V/µsec) | Maximum RMS Ripple Current (A) 100 kHz, +70°C |       |      | Typical ESR (mΩ) **, +25°C | Dimensions LxHxT (mm) | S (MM) | d (MM) | P (MM) | # Leads |
|------------------|------|----------------|----------------|---|-------|------|----------------------------|-----------------------|--------|--------|--------|---------|
|                  |      |                |                | +15°C   | +10°C | +5°C |                            |                       |        |        |        |         |
| 25               | 1100 | 256MHBS60K2R   | 23             | 14  | 14    | 12   | 4.4                        | 57.5x50x35            | 52.5   | 1.2    |        | 2       |
| 25               | 1100 | 256MHBS70KR##  | 28             | 26  | 21    | 15   | 3.4                        | 0x0x0                 |        |        |        | lugs    |
| 25               | 1100 | 256MHBS60K4R   | 23             | 22  | 17.5  | 12.5 | 3.8                        | 57.5x50x35            | 52.5   | 1.2    | 20.3   | 4       |
| 30               | 575  | 306MHBS35K4J   | 19             | 16.5  | 13    | 9.5  | 4                          | 42.5x37x28            | 37.5   | 1.2    | 10.2   | 4       |
| 30               | 575  | 306MHBS35K2J   | 19             | 14  | 12    | 9    | 4.6                        | 42.5x37x28            | 37.5   | 1.2    |        | 2       |
| 30               | 575  | 306MHBS35KJ##  | 19             | 18.5  | 14.5  | 10.5 | 3.8                        | 42.5x37x28            |        |        |        | lugs    |
| 30               | 700  | 306MHBS40KJ##  | 21             | 22.5  | 17.5  | 13   | 3.2                        | 42.5x45x30            |        |        |        | lugs    |
| 30               | 700  | 306MHBS40K2J   | 21             | 14  | 14    | 11   | 4                          | 42.5x45x30            | 37.5   | 1.2    |        | 2       |
| 30               | 700  | 306MHBS40K4J   | 21             | 20.5  | 16    | 12   | 3.4                        | 42.5x45x30            | 37.5   | 1.2    | 20.3   | 4       |
| 30               | 800  | 306MHBS45K4R   | 16.5           | 21  | 16.5  | 12   | 4.1                        | 57.5x45x30            | 52.5   | 1.2    | 20.3   | 4       |
| 30               | 800  | 306MHBS45K2R   | 16.5           | 14  | 14    | 10   | 4.7                        | 57.5x45x30            | 52.5   | 1.2    |        | 2       |
| 30               | 800  | 306MHBS45KR##  | 16.5           | 21  | 16.5  | 12   | 4.1                        | 57.5x45x30            |        |        |        | lugs    |
| 30               | 1000 | 306MHBS55KR##  | 21             | 24  | 19    | 13.5 | 3.6                        | 57.5x50x35            |        |        |        | lugs    |
| 30               | 1000 | 306MHBS55K2R   | 21             | 14  | 14    | 11.5 | 4.3                        | 57.5x50x35            | 52.5   | 1.2    |        | 2       |
| 30               | 1000 | 306MHBS55K4R   | 21             | 22  | 17.5  | 12.5 | 3.8                        | 57.5x50x35            | 52.5   | 1.2    | 20.3   | 4       |
| 33               | 1000 | 336MHBS55K2R   | 21             | 14  | 14    | 12   | 4.1                        | 57.5x50x35            | 52.5   | 1.2    |        | 2       |
| 33               | 1000 | 336MHBS55K4R   | 21             | 23  | 18.5  | 13   | 3.5                        | 57.5x50x35            | 52.5   | 1.2    | 20.3   | 4       |
| 33               | 1100 | 336MHBS60K4R   | 23             | 24.5  | 19.5  | 14.5 | 3.3                        | 57.5x57.5x38          | 52.5   | 1.2    | 20.3   | 4       |
| 33               | 1100 | 336MHBS60KR##  | 23             | 25.5  | 20.5  | 15   | 3.1                        | 57.5x57.5x38          |        |        |        | lugs    |
| 35               | 575  | 356MHBS35KJ##  | 19             | 21  | 16.5  | 12.5 | 3.5                        | 42.5x45x30            |        |        |        | lugs    |
| 35               | 575  | 356MHBS35K2J   | 19             | 14  | 14    | 11   | 4.3                        | 42.5x45x30            | 37.5   | 1.2    |        | 2       |
| 35               | 575  | 356MHBS35K4J   | 19             | 19  | 15.5  | 11   | 3.7                        | 42.5x45x30            | 37.5   | 1.2    | 20.3   | 4       |
| 35               | 800  | 356MHBS45K4R   | 16.5           | 20  | 16    | 11.5 | 3.9                        | 57.5x45x30            | 52.5   | 1.2    | 20.3   | 4       |
| 35               | 800  | 356MHBS45KR##  | 16.5           | 22  | 17.5  | 13   | 3.7                        | 0x0x0                 |        |        |        | lugs    |
| 35               | 800  | 356MHBS45K2R   | 16.5           | 14  | 14    | 11   | 4.5                        | 57.5x45x30            | 52.5   | 1.2    |        | 2       |
| 35               | 900  | 356MHBS50KR##  | 18.5           | 24  | 19    | 14   | 3.4                        | 57.5x50x35            |        |        |        | lugs    |
| 35               | 900  | 356MHBS50K2R   | 18.5           | 14  | 14    | 12   | 4.2                        | 57.5x50x35            | 52.5   | 1.2    |        | 2       |
| 35               | 900  | 356MHBS50K4R   | 18.5           | 22  | 17.5  | 13   | 3.6                        | 57.5x50x35            | 52.5   | 1.2    | 20.3   | 4       |
| 35               | 1100 | 356MHBS60K6R   | 23             | 26  | 20.5  | 15   | 3                          | 57.5x57.5x38          | 52.5   | 1.2    | 10.2   | 6       |
| 35               | 1100 | 356MHBS60K4R   | 23             | 25  | 20    | 14.5 | 3.2                        | 57.5x57.5x38          | 52.5   | 1.2    | 20.3   | 4       |
| 40               | 575  | 406MHBS35K2J   | 19             | 14  | 14    | 11   | 4                          | 42.5x45x30            | 37.5   | 1.2    |        | 2       |
| 40               | 575  | 406MHBS35K4J   | 19             | 20  | 16    | 12   | 3.4                        | 42.5x45x30            | 37.5   | 1.2    | 20.3   | 4       |
| 40               | 575  | 406MHBS35KJ##  | 19             | 22  | 17.5  | 13   | 3.2                        | 42.5x45x30            |        |        |        | lugs    |
| 40               | 700  | 406MHBS40KR##  | 14.5           | 22  | 17.5  | 12.5 | 3.6                        | 57.5x45x30            |        |        |        | lugs    |
| 40               | 700  | 406MHBS40K4R   | 14.5           | 20  | 16    | 11.5 | 3.8                        | 57.5x45x30            | 52.5   | 1.2    | 20.3   | 4       |
| 40               | 700  | 406MHBS40K2R   | 14.5           | 14  | 14    | 10.5 | 4.4                        | 57.5x45x30            | 52.5   | 1.2    |        | 2       |
| 40               | 800  | 406MHBS45K2R   | 16.5           | 14  | 14    | 11.5 | 4.2                        | 57.5x50x35            | 52.5   | 1.2    |        | 2       |
| 40               | 800  | 406MHBS45K4R   | 16.5           | 21.5  | 17.5  | 12.5 | 3.6                        | 57.5x50x35            | 52.5   | 1.2    | 20.3   | 4       |
| 40               | 800  | 406MHBS45KR##  | 16.5           | 23.5  | 19    | 14   | 3.4                        | 57.5x50x35            |        |        |        | lugs    |
| 40               | 900  | 406MHBS50KR2   | 18.5           | 14  | 14    | 13   | 3.9                        | 57.5x50x30            | 52.5   | 1.2    |        | 2       |
| 40               | 900  | 406MHBS50K4R   | 18.5           | 23.5  | 19    | 13.5 | 3.3                        | 57.5x50x30            | 52.5   | 1.2    | 20.3   | 4       |
| 40               | 1000 | 406MHBS55K4R   | 21             | 25  | 20    | 14.5 | 3.2                        | 57.5x57.5x38          | 52.5   | 1.2    | 20.3   | 4       |
| 40               | 1000 | 406MHBS55KR##  | 21             | 27.5  | 22    | 16.5 | 3                          | 57.5x57.5x38          |        |        |        | lugs    |
| 40               | 1000 | 406MHBS55K6R   | 21             | 26  | 15    | 3    | 3                          | 57.5x57.5x38          | 52.5   | 1.2    | 10.2   | 6       |
| 45               | 700  | 456MHBS40KR##  | 14.5           | 23  | 18    | 13   | 3.4                        | 57.5x45x30            |        |        |        | lugs    |
| 45               | 700  | 456MHBS40K4R   | 14.5           | 21  | 16.5  | 12   | 3.6                        | 57.5x45x30            | 52.5   | 1.2    | 20.3   | 4       |
| 45               | 700  | 456MHBS40K2R   | 14.5           | 14  | 14    | 11   | 4.2                        | 57.5x45x30            | 52.5   | 1.2    |        | 2       |
| 45               | 800  | 456MHBS45K2R   | 16.5           | 14  | 14    | 12   | 4                          | 57.5x50x35            | 52.5   | 1.2    |        | 2       |
| 45               | 800  | 456MHBS45K4R   | 16.5           | 23  | 18.5  | 13.5 | 3.4                        | 57.5x50x35            | 52.5   | 1.2    | 20.3   | 4       |
| 45               | 800  | 456MHBS45KR##  | 16.5           | 25.5  | 20    | 15   | 3.2                        | 57.5x50x35            |        |        |        | lugs    |
| 47               | 800  | 476MHBS45K4R   | 16.5           | 23.5  | 19    | 13.5 | 3.3                        | 57.5x50x35            | 52.5   | 1.2    | 20.3   | 4       |
| 47               | 800  | 476MHBS45K2R   | 16.5           | 14  | 14    | 12.5 | 3.9                        | 57.5x50x35            | 52.5   | 1.2    |        | 2       |
| 47               | 900  | 476MHBS50K4R   | 18.5           | 25.5  | 20.5  | 15   | 3                          | 57.5x57.5x38          | 52.5   | 1.2    | 20.3   | 4       |
| 47               | 900  | 476MHBS50KR##  | 18.5           | 28.5  | 23    | 16.5 | 2.8                        | 57.5x57.5x38          |        |        |        | lugs    |
| 47               | 900  | 476MHBS50K6R   | 18.5           | 26.5  | 21.5  | 15.5 | 2.8                        | 57.5x57.5x38          | 52.5   | 1.2    | 10.2   | 6       |
| 50               | 575  | 506MHBS35KR##  | 12.5           | 21.5  | 17.5  | 12.5 | 3.8                        | 57.5x45x30            |        |        |        | lugs    |
| 50               | 575  | 506MHBS35K4R   | 12.5           | 19  | 15.5  | 11   | 4                          | 57.5x45x30            | 52.5   | 1.2    | 20.3   | 4       |
| 50               | 575  | 506MHBS35K2R   | 12.5           | 14  | 14    | 10   | 4.6                        | 57.5x45x30            | 52.5   | 1.2    |        | 2       |

# MHBS

2,4,6, lug lead radial box

| Capacitance<br>( $\mu$ F) | WVDC | IC PART NUMBER | dv/dt<br>(V/ $\mu$ sec) | Maximum RMS Ripple Current<br>(A) 100 kHz, +70°C |       |      | Typical ESR<br>(m $\Omega$ ) **,<br>+25°C | Dimensions<br>LxHxT (mm) | S (MM) | d (MM) | P (MM) | # Leads |
|---------------------------|------|----------------|-------------------------|--|-------|------|---|--------------------------|--------|--------|--------|---------|
|                           |      |                |                         | +15°C  | +10°C | +5°C |   |                          |        |        |        |         |
| 50                        | 700  | 506MHBS40K2R   | 14.5                    | 14   | 14    | 12   | 4   | 57.5x50x35               | 52.5   | 1.2    |        | 2       |
| 50                        | 700  | 506MHBS40K4R   | 14.5                    | 22.5   | 18    | 13   | 3.4                                       | 57.5x50x35               | 52.5   | 1.2    | 20.3   | 4       |
| 50                        | 700  | 506MHBS40KR##  | 14.5                    | 24.5   | 19.5  | 14.5 | 3.2                                       | 57.5x50x35               |        |        |        | lugs    |
| 50                        | 900  | 506MHBS50K6R   | 18.5                    | 27   | 22    | 16   | 2.8                                       | 57.5x57.5x38             | 52.5   | 1.2    | 10.2   | lugs    |
| 50                        | 900  | 506MHBS50K4R   | 18.5                    | 26   | 21    | 15   | 3   | 57.5x57.5x38             | 52.5   | 1.2    | 20.3   | 4       |
| 55                        | 700  | 556MHBS40K4R   | 14.5                    | 23.5   | 19    | 13.5 | 3.3                                       | 57.5x50x35               | 52.5   | 1.2    | 20.3   | 4       |
| 55                        | 700  | 556MHBS40K2R   | 14.5                    | 14   | 14    | 12.5 | 3.9                                       | 57.5x50x35               | 52.5   | 1.2    |        | 2       |
| 55                        | 700  | 556MHBS40KR##  | 14.5                    | 25.5   | 20.5  | 15   | 3.1                                       | 57.5x50x35               |        |        |        | lugs    |
| 60                        | 575  | 606MHBS35K4R   | 12.5                    | 23   | 18.5  | 13.5 | 3.4                                       | 57.5x50x35               |        |        |        | lugs    |
| 60                        | 575  | 606MHBS35K2R   | 12.5                    | 14   | 14    | 10.5 | 4.2                                       | 57.5x45x30               | 52.5   | 1.2    |        | 2       |
| 60                        | 575  | 606MHBS35K4R   | 12.5                    | 20.5   | 16.5  | 12   | 3.6                                       | 57.5x45x30               | 52.5   | 1.2    | 20.3   | 4       |
| 60                        | 700  | 606MHBS40K4R   | 14.5                    | 24.5   | 19.5  | 14   | 3.1                                       | 57.5x50x35               | 52.5   | 1.2    | 20.3   | 4       |
| 60                        | 700  | 606MHBS40K2R   | 14.5                    | 14   | 14    | 13   | 3.7                                       | 57.5x50x35               | 52.5   | 1.2    |        | 2       |
| 60                        | 700  | 606MHBS40KR##  | 14.5                    | 26.5   | 21    | 15.5 | 2.9                                       | 57.5x50x35               |        |        |        | lugs    |
| 60                        | 800  | 606MHBS45K4R   | 16.5                    | 28.5   | 22.5  | 16.5 | 2.8                                       | 57.5x57.5x38             |        |        |        | lugs    |
| 60                        | 800  | 606MHBS45K6R   | 16.5                    | 25.5   | 20.5  | 15.5 | 3   | 57.5x57.5x38             | 52.5   | 1.2    | 20.3   | 4       |
| 60                        | 800  | 606MHBS45K4R   | 16.5                    | 26.5   | 21.5  | 15.5 | 2.8                                       | 57.5x57.5x38             | 52.5   | 1.2    | 10.2   | 6       |
| 65                        | 800  | 656MHBS45K6R   | 16.5                    | 27.5   | 22    | 16   | 2.7                                       | 57.5x57.5x38             | 52.5   | 1.2    | 10.2   | 6       |
| 65                        | 800  | 656MHBS45K4R   | 16.5                    | 26.5   | 21    | 15.5 | 2.9                                       | 57.5x57.5x38             | 52.5   | 1.2    | 20.3   | 4       |
| 75                        | 575  | 756MHBS35K4R   | 12.5                    | 23   | 18.5  | 13.5 | 3.3                                       | 57.5x50x35               | 52.5   | 1.2    | 20.3   | 4       |
| 75                        | 575  | 756MHBS35K2R   | 12.5                    | 14   | 14    | 12   | 3.9                                       | 57.5x50x35               | 52.5   | 1.2    |        | 2       |
| 75                        | 575  | 756MHBS35KR##  | 12.5                    | 25.5   | 20.5  | 15   | 3.1                                       | 57.5x50x35               |        |        |        | lugs    |
| 75                        | 700  | 756MHBS40K4R   | 14.5                    | 28.5   | 24    | 17   | 2.7                                       | 57.5x57.5x38             |        |        |        | lugs    |
| 75                        | 700  | 756MHBS40K2R   | 14.5                    | 26   | 21.5  | 15.5 | 2.9                                       | 57.5x57.5x38             | 52.5   | 1.2    | 20.3   | 4       |
| 75                        | 700  | 756MHBS40K6R   | 14.5                    | 27   | 22.5  | 16   | 2.7                                       | 57.5x57.5x38             | 52.5   | 1.2    | 10.2   | 6       |
| 80                        | 700  | 806MHBS40K6R   | 14.5                    | 27.5   | 22    | 16.5 | 2.6                                       | 57.5x57.5x38             | 52.5   | 1.2    | 10.2   | 6       |
| 80                        | 700  | 806MHBS40K4R   | 14.5                    | 26.5   | 22    | 15.5 | 2.8                                       | 57.5x57.5x38             | 52.5   | 1.2    | 20.3   | 4       |
| 90                        | 575  | 906MHBS35K4R   | 12.5                    | 25   | 21    | 14.5 | 3.1                                       | 57.5x57.5x38             | 52.5   | 1.2    | 20.3   | 4       |
| 90                        | 575  | 906MHBS35K6R   | 12.5                    | 26   | 23    | 16   | 2.9                                       | 57.5x57.5x38             | 52.5   | 1.2    | 10.2   | 6       |
| 100                       | 575  | 107MHBS35K6R   | 12.5                    | 27   | 22    | 15.5 | 2.8                                       | 57.5x57.5x38             | 52.5   | 1.2    | 10.2   | 6       |
| 100                       | 575  | 107MHBS35K4R   | 12.5                    | 26   | 21.5  | 15   | 3   | 57.5x57.5x38             | 52.5   | 1.2    | 20.3   | 4       |