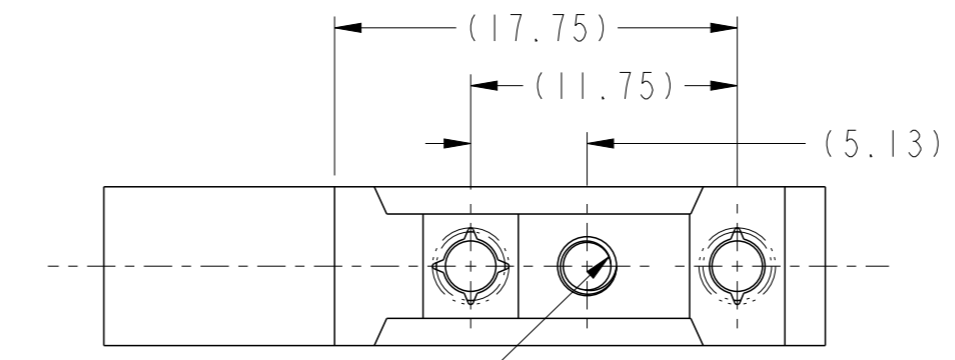
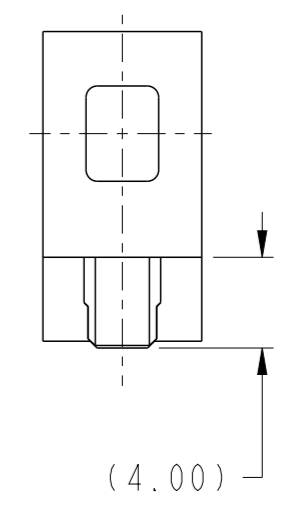
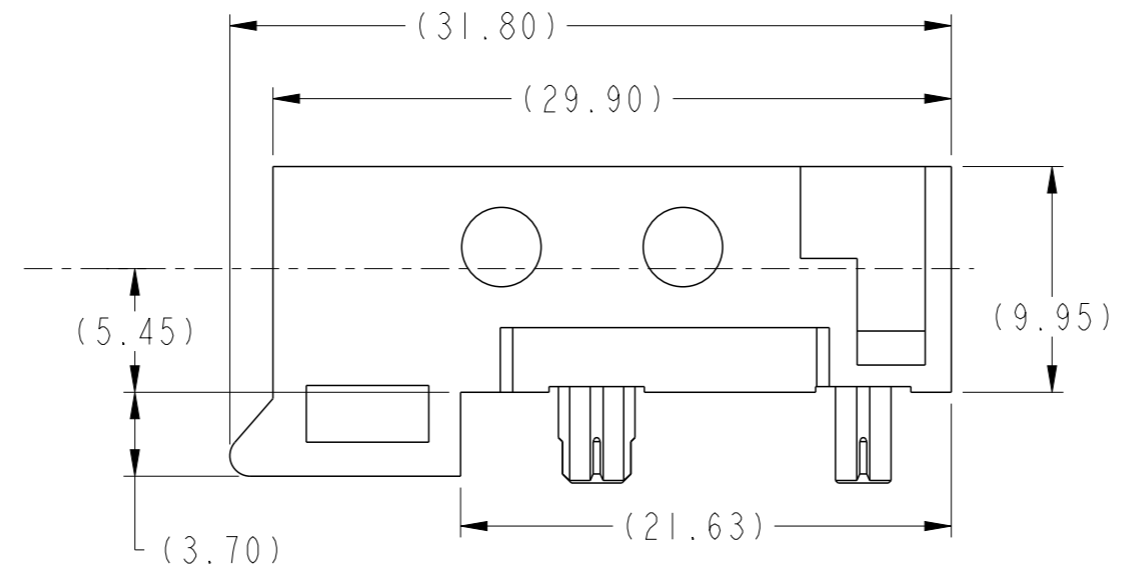
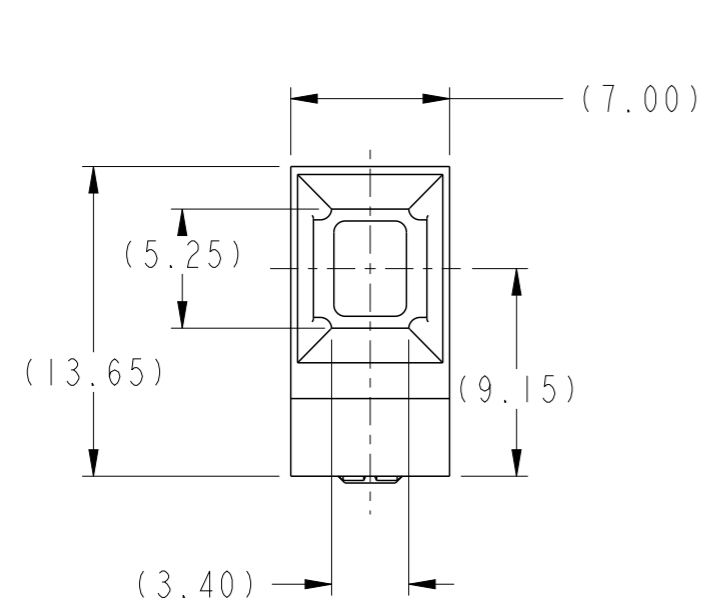


PRODUCT NUMBER  
SEE TABLE, SHT 2



M3 x 0.5-6H  
x 3.0 DEEP  
(0.3 x 45° CHAMFER)  $\triangle D$




Copyright FCI.

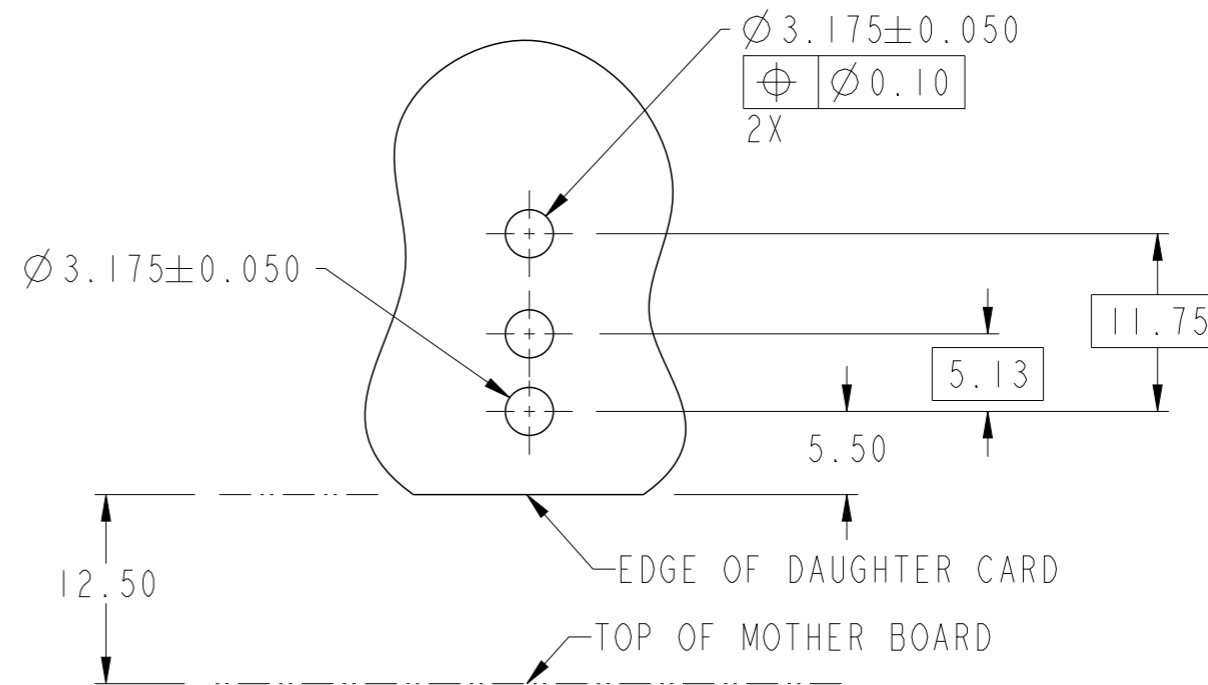
spec ref	-	dr	Chen-Hong Tan	2005/08/17	projection	MM	size	A3	scale	3:1	
tolerance std	ASME Y14.5	eng	Yong-Keat Lim	2011/10/04			ecn no	ELX-S-006144-1			
TOLERANCES UNLESS OTHERWISE SPECIFIED		chr	-	-			product family	AirMax ACCESSORIES		rel level	Released
surface	linear	appr	Chen-Hong Tan	2011/10/07				dwg no	10045367	rev	D
ASME Y14.5	angular	www.fci.com		cat. no.	-		Product - Customer Drw		sheet 1 of 2		
	0.X	±0.3		7.2MM R/A GUIDE SOCKET							
	0.XX	±0.10		2/3 PAIR							
	0.XXX	±0.050									
	0°	±2°									

PRODUCT NUMBER

10045367-101LF

NOTES:

- ① MATERIAL: ZINC ALLOY.
- ② FINISH: TRIVALENT CHROMATE IRIDESCENT
- ③ APPLICATION SPECIFICATION: GS-20-045.
- ④ REFER TO CUSTOMER DRAWING 10035911 FOR INFORMATION REGARDING PCB LAYOUT OF POWER AND GUIDE MODULES RELATIVE TO SIGNAL MODULES.
- 5 THIS PRODUCT MEETS EUROPEAN UNION DIRECTIVES AND OTHER COUNTRY REGULATIONS AS DESCRIBED IN GS-22-008.
- 6 PACKAGING MEETS GS-14-920 LEAD FREE LABELING SPECIFICATION.
- 7 A  SYMBOL WILL BE NEXT TO ANY DIMENSION, VIEW OR NOTE WHICH HAS BEEN MODIFIED WITH THE CURRENT DRAWING REVISION.

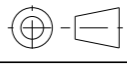
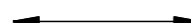



RECOMMENDED PCB LAYOUT

NOTE 4  
SCALE: 2:1



Copyright FCI.

spec ref	-	dr	Chen-Hong Tan	2005/08/17	projection	MM	size	A3	scale	1:1	
tolerance std	ASME Y14.5	eng	Yong-Keat Lim	2011/10/04			ecn no		ELX-S-006144-1		
TOLERANCES UNLESS OTHERWISE SPECIFIED		chr	-	-			rel level		Released		
surface	✓	appr	Chen-Hong Tan	2011/10/07	product family			AirMax ACCESSORIES		rel level	Released
linear	0.X ±0.3				7.2MM R/A GUIDE SOCKET 2/3 PAIR			dwg no 10045367		rev D	
linear	0.XX ±0.10										
linear	0.XXX ±0.050										
angular	0° ±2°	www.fci.com			cat. no.			-		Product - Customer Drw	