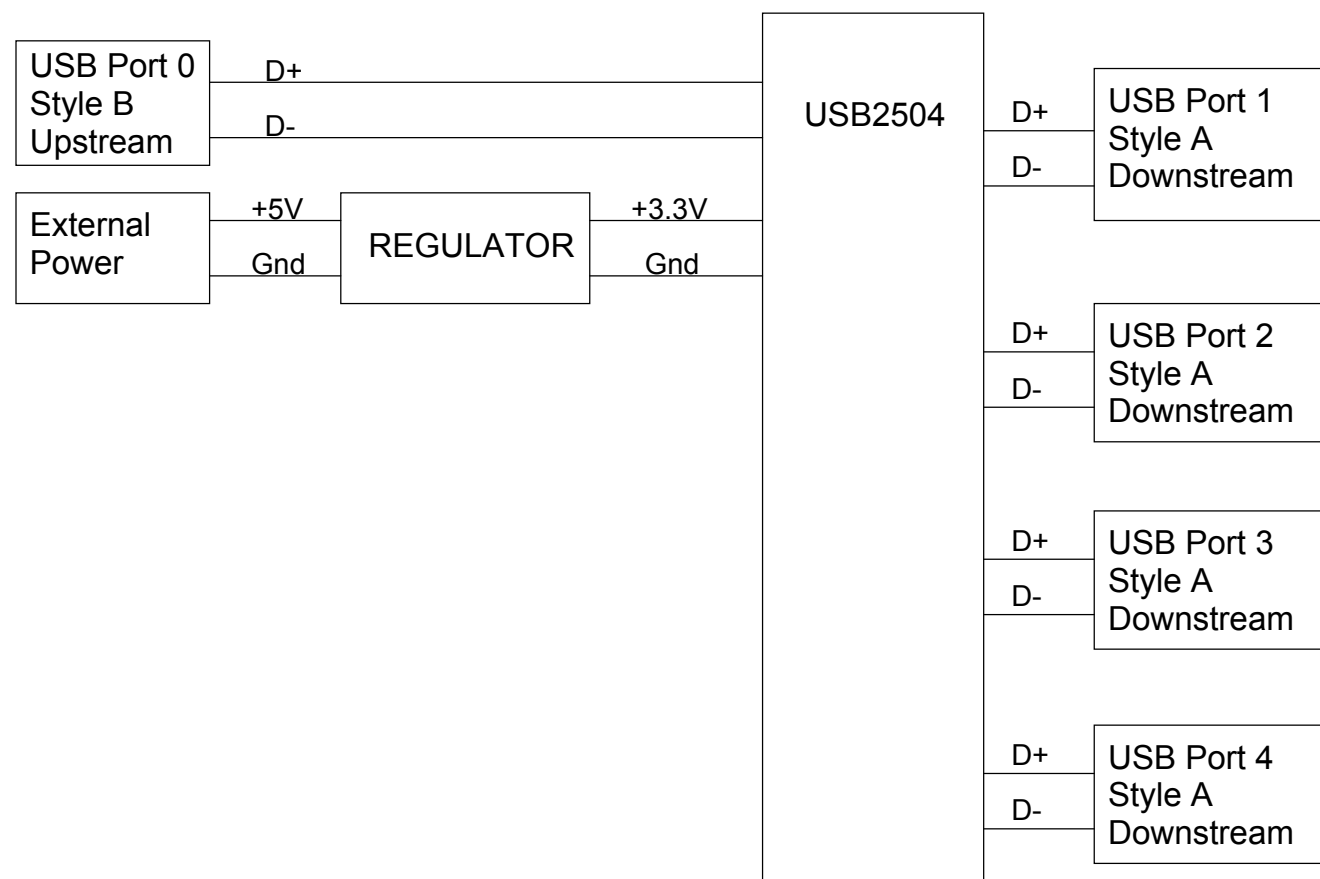


# EVB-USB2504

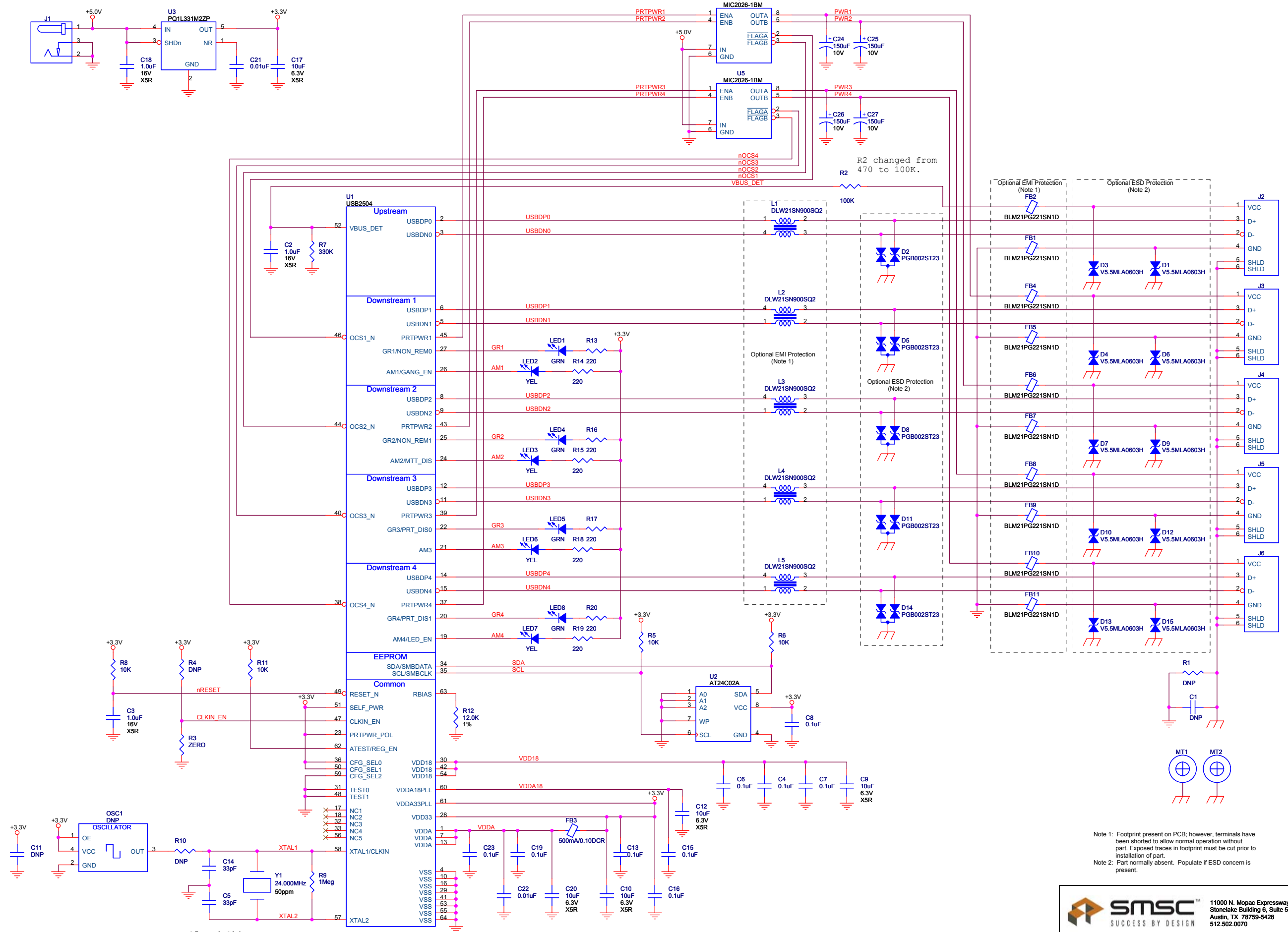
Evaluation Board for USB2504, 64-pin QFP, 2 Layers

## Revision History

Revision	Date	Revision Summary	Author
A	05/22/2004	Initial schematic	Edward Tatum
A1	09/09/2004	Documentation changes to name EVB-USB2504 PCB retains AUS2004-05-23 identification	Edward Tatum
A1	11/09/2004	Changed C5 and C14 from 18pF to 33pF for 18pF load capacitance on crystal. Changed R2 from 470 to 100k to prevent VBUS_DET backdriving power. Added notes to page 2 schematic.	Hans Magnusson



Title		
EVB-USB2504 - USB2504 Customer Evaluation Board		
Size	Document Number	Rev
C	EVB-USB2504 (Guava)	A2
Date:	Tuesday, November 09, 2004	Sheet 1 of 2



C5 and C14 changed to 33pF.

R2 changed from 470 to 100K.

Note 1: Footprint present on PCB; however, terminals have been shorted to allow normal operation without part. Exposed traces in footprint must be cut prior to installation of part.  
 Note 2: Part normally absent. Populate if ESD concern is present.



Title: EVB-USB2504 - USB2504 Evaluation Platform		
Size C	Document Number: AUS2004-05-22 (EVB-USB2504)	Rev A2
Date: Tuesday, November 09, 2004	Sheet 2 of 2	

