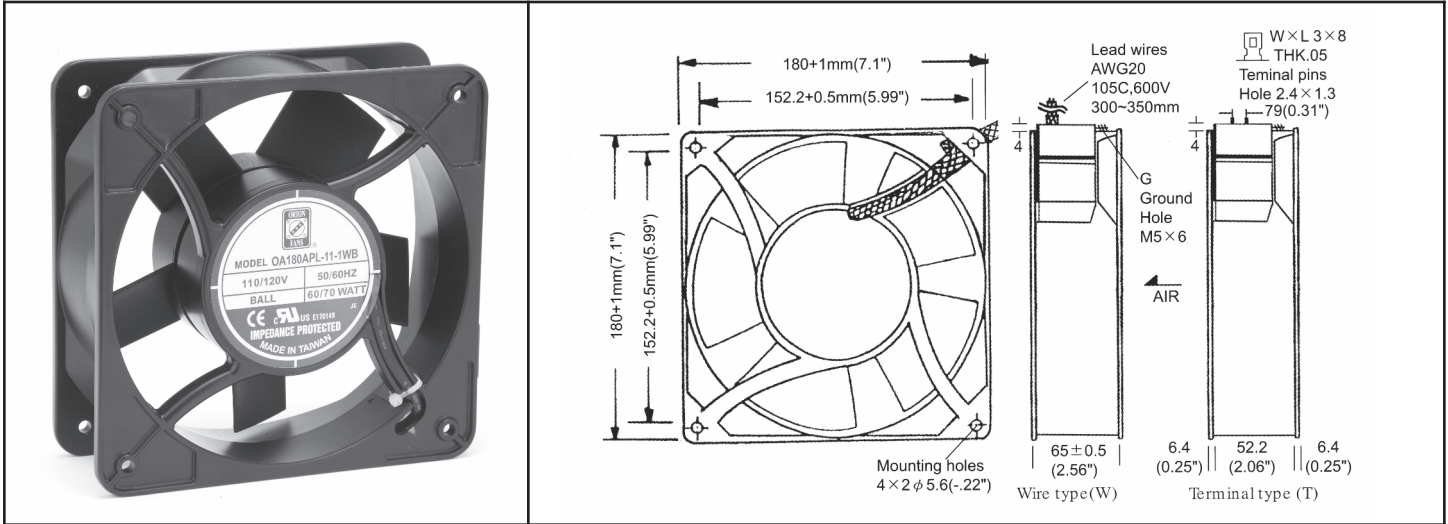


OA180APL Series



AC Fan - 115V, 230V
180 x 65mm (7.1" x 2.6")



| | | | |
|------------------------------|---|--|--|
| Frame | Diecast Aluminum | <u>Operating Temperature</u> Ball Bearing -20C ~ +80C Storage Temp -40C ~ +80C <u>Life Expectancy</u> Ball Bearing 60,000 hours (L10 at 40C) Available as dual speed or dual voltage Weight: ~ 4.0 lbs. m0 | |
| Impeller | PBT, UL94V-0 plastic | | |
| Connection | 2x Lead Wires 20 AWG or terminals | | |
| Motor | Single phase Capacitor induction, 2/4 pole, inner rotor, thermal protection | | |
| Bearing System | Dual ball | | |
| Insulation Resistance | >100M ohm between lead-wire and frame (500VDC) | | |
| Dielectric Strength | 1 min at 1500 VAC, 50/60Hz | | |

| Model Number | Speed (RPM) | Airflow (CFM) | Noise (dB) | Volts AC | Voltage Range | Watts | Max. Static Pressure (\"H ₂ O) |
|-----------------|-------------|---------------|------------|----------|---------------|-------|---|
| OA180APL-11-1 * | 3300 | 405 | 60 | 115 | 60~130 | 70 | 0.83 |
| OA180APL-11-2 * | 2200 | 280 | 47 | 115 | 60~130 | 50 | 0.58 |
| OA180APL-11-3 * | 1650 | 210 | 40 | 115 | 60~130 | 38 | 0.43 |
| OA180APL-22-1 * | 3300 | 405 | 60 | 230 | 120~260 | 70 | 0.83 |
| OA180APL-22-2 * | 2200 | 280 | 47 | 230 | 120~260 | 50 | 0.58 |
| OA180APL-22-3 * | 1650 | 210 | 40 | 230 | 120~260 | 38 | 0.43 |

* Indicate "TB" for terminal or "WB" for wire leads