

**DESIGNED & DIMENSIONED
IN MILLIMETERS [INCHES]**

SEM-X-1XX-XX-XX.X-XX-D-XX-XX

BODY OPTION
(LEAVE BLANK IF OPTION NOT USED, USE SEM)
L: FRICTION LOCK
(USE SEML, SEE FIG 6, SHEET 3)
S: SLIM
(USE SEMS, SEE FIG 7, SHEET 3)
(NOT AVAILABLE WITH -A, -LC, OR -WT)
(ONLY AVAILABLE WITH -K-TR)

OPTION
-TR: TAPE & REEL
(SEE NOTE 7 & 8)
-K: POLYIMIDE FILM
(USE K-DOT-.138-.250-.005,
SEE FIG 5, SHT 2)

No OF POSITIONS
-05 THRU -50 (PER ROW)
(IN 5 POS INCREMENTS)

LEAD STYLE
-02: SURFACE MOUNT

STACK HEIGHT
-03.0: 3 MM

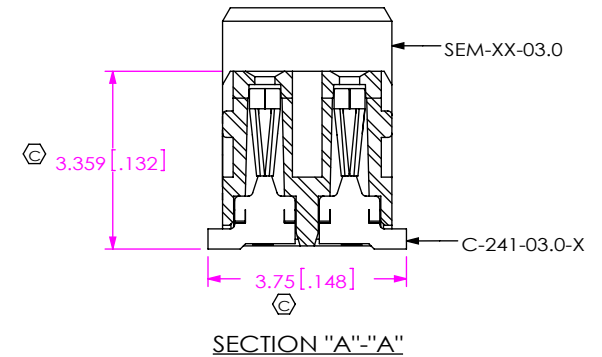
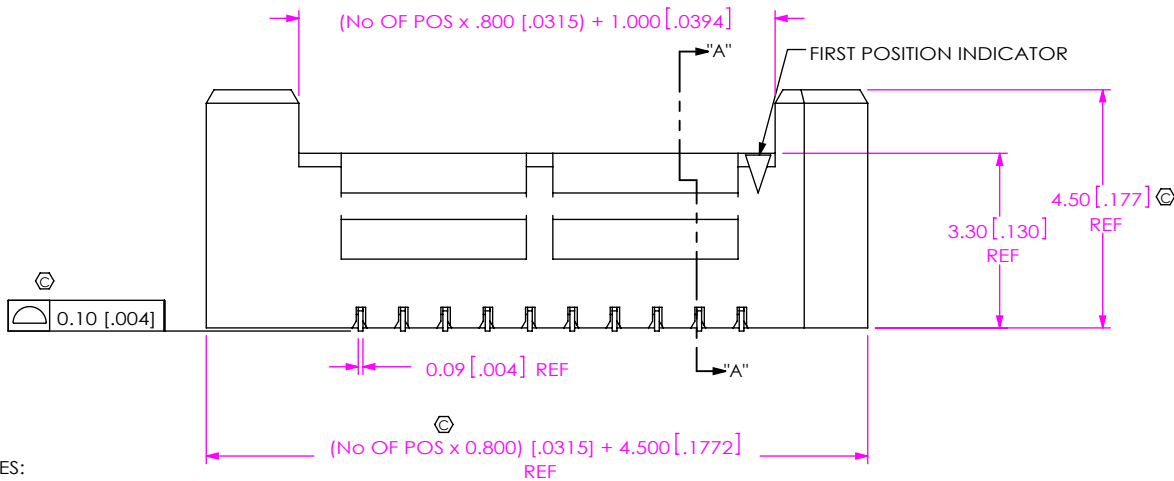
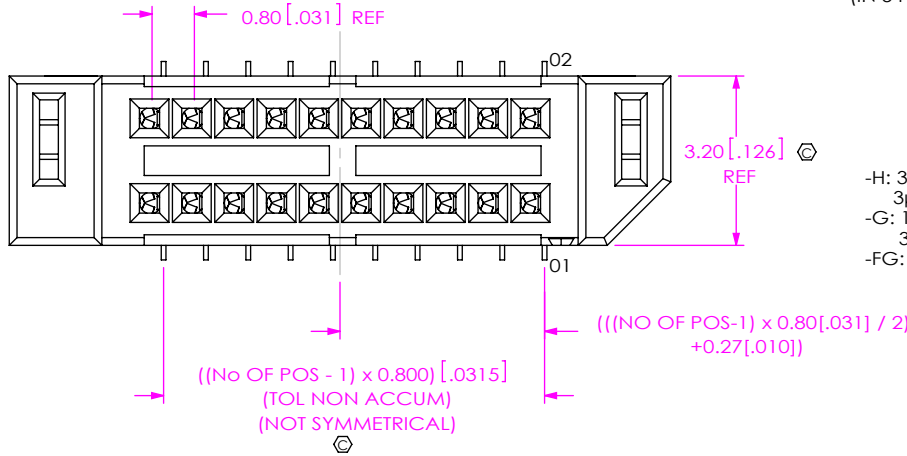
PLATING SPECIFICATION
-H: 30µ" HEAVY GOLD IN CONTACT AREA,
3µ" GOLD ON TAIL
-G: 10µ" GOLD IN CONTACT AREA,
3µ" GOLD ON TAIL
-FG: 3µ" FLASH GOLD ON ENTIRE
TERMINAL

OPTION
-A: ALIGNMENT PIN (SEE FIG 2, SHEET 2)
(NOT AVAILABLE WITH -LC OR -WT)
(NOT AVAILABLE ON SEML OR SEMS)
-LC: LOCKING CLIP (SEE FIG 3, SHEET 2
& NOTE 9)
(NOT AVAILABLE WITH -A OR -WT)
(NOT AVAILABLE ON SEML OR SEMS)
-WT: WELD TAB (SEE FIG 4, SHEET 2)
(NOT AVAILABLE WITH -A OR -LC)
(STANDARD ON SEML)
(NOT AVAILABLE ON SEMS)

ROW SPECIFICATION
-D: DOUBLE ROW

DO NOT
SCALE FROM
THIS PRINT

FIG 1
SEM-110-02-03.0-XX-D SHOWN



NOTES:

- REPRESENTS A CRITICAL DIMENSION.
- MINIMUM PUSHOUT FORCE FOR CONTACT, LOCKING CLIP AND WELD TAB: 2.22N.
- HEIGHT VARIATION BETWEEN ANY TWO CONTACTS: 0.13 MAXIMUM.
- PARTS TO BE PACKAGED IN TRAYS UNLESS OTHERWISE SPECIFIED.
- POSITIONS -05 THRU -20 WILL HAVE ONLY ONE FRICTION LOCK.
POSITIONS -25 THRU -40 WILL HAVE TWO FRICTION LOCKS.
POSITIONS -45 THRU -50 WILL HAVE THREE FRICTION LOCKS.
- NOTE DELETED.
- FOR QUANTITIES UP TO 49 PIECES, NO LEADER, TRAILER, OR REEL WILL BE SUPPLIED.
FOR QUANTITIES 50-124, NO LEADER, OR TRAILER WILL BE SUPPLIED.
- ALL SAMPLES AND/OR NO CHARGE ORDERS ARE REQUIRED TO BE PACKAGED IN SUSPENSION PACKS AND NOT T&R.
- DUE TO HIGH AMOUNT OF INSERTION FORCE NEEDED, THE -LC OPTION IS NOT COMPATIBLE WITH AUTO-PLACEMENT. SAMTEC RECOMMENDS MANUAL PLACEMENT FOR ALL ASSEMBLIES WITH THE -LC OPTION.

F:\DWG\MISC\MKTG\SEM-X-1XX-XX-XX.X-XX-D-XX-XX-MKT.SLDDRW

**UNLESS OTHERWISE SPECIFIED,
DIMENSIONS ARE IN MILLIMETERS.**

TOLERANCES ARE:

DECIMALS	ANGLES
X.X: ±0.3 [.01]	2°
X.XX: ±0.13 [.005]	
X.XXX: ±0.051 [.0020]	

PROPRIETARY NOTE

THIS DOCUMENT CONTAINS CONFIDENTIAL AND PROPRIETARY INFORMATION AND ALL DESIGN, MANUFACTURING, REPRODUCTION, USE, PATENT RIGHTS AND SALES RIGHTS ARE EXPRESSLY RESERVED BY SAMTEC, INC. THIS DOCUMENT SHALL NOT BE DISCLOSED, IN WHOLE OR PART, TO ANY UNAUTHORIZED PERSON OR ENTITY NOR REPRODUCED, TRANSFERRED OR INCORPORATED IN ANY OTHER PROJECT IN ANY MANNER WITHOUT THE EXPRESS WRITTEN CONSENT OF SAMTEC, INC.

MATERIAL: DO NOT SCALE DRAWING

INSULATOR: VECTRA E130i
CONTACT: #25 BeCu, HALF HARD
LOCKING CLIP: PHOS BRONZE 510
WELD TAB: BRASS ALLOW 260, FULL HARD

SHEET SCALE: 7:1



520 PARK EAST BLVD, NEW ALBANY, IN 47150
PHONE: 812-944-6733 FAX: 812-948-5047
e-Mail info@SAMTEC.com code 55322

DESCRIPTION:
.8MM TIGER EYE MICRO SOCKET

DWG. NO.
SEM-X-1XX-XX-XX.X-XX-D-XX-XX

BY: B RAY 10-19-2007 SHEET 1 OF 3

FIG 2
SEM-110-02-03.0-XX-D-A SHOWN

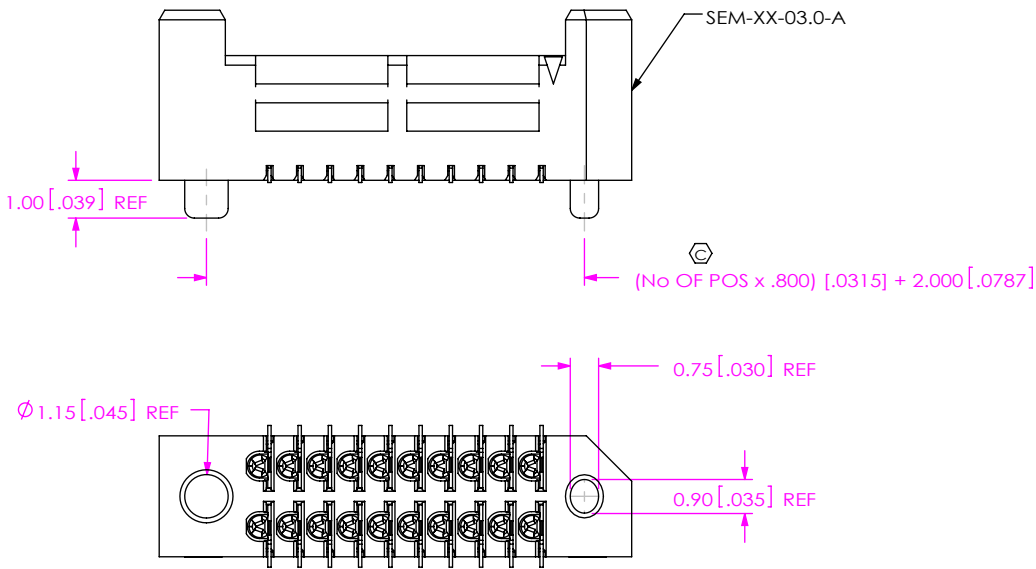


FIG 3
SEM-110-02-03.0-XX-D-LC SHOWN

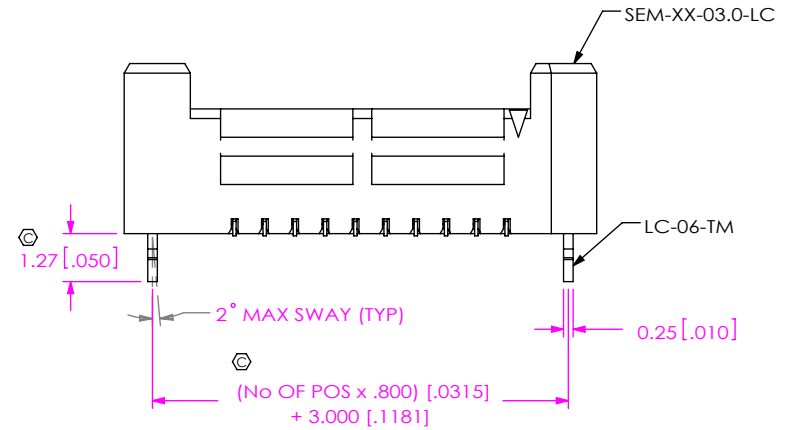
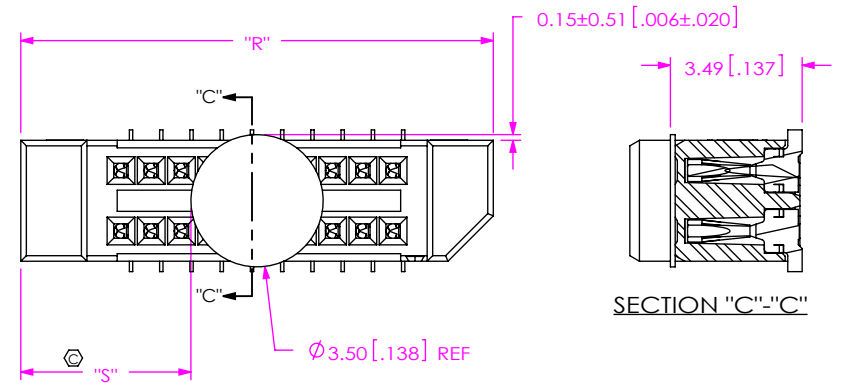
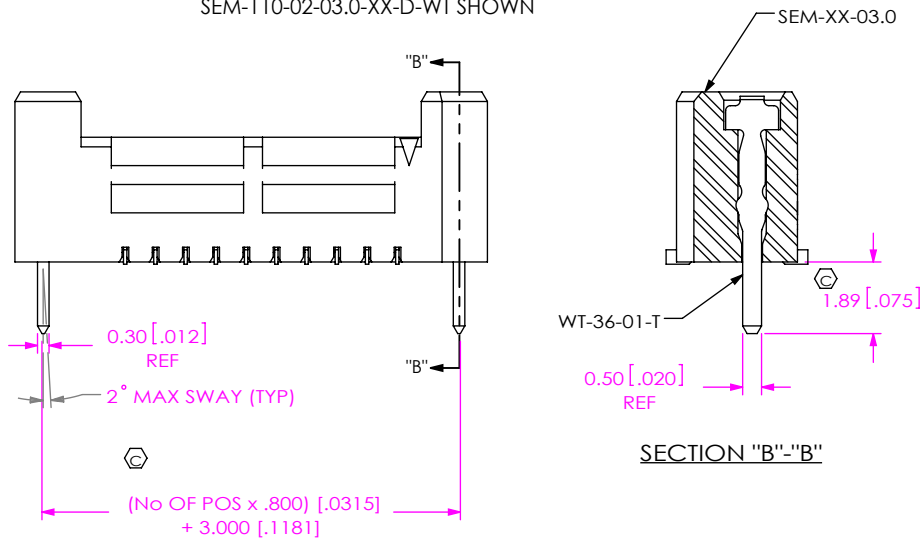


FIG 5
SEM-110-02-03.0-XX-D-K SHOWN



NOTE: "R" = OVERALL LENGTH (REF)
"S" = $\{("R" - 3.51 [.138]) / 2\} \pm 0.51 [.02]$

FIG 4
SEM-110-02-03.0-XX-D-WT SHOWN



PROPRIETARY NOTE
THIS DOCUMENT CONTAINS CONFIDENTIAL AND PROPRIETARY INFORMATION AND ALL DESIGN, MANUFACTURING, REPRODUCTION, USE, PATENT RIGHTS AND SALES RIGHTS ARE EXPRESSLY RESERVED BY SAMTEC, INC. THIS DOCUMENT SHALL NOT BE DISCLOSED, IN WHOLE OR PART, TO ANY UNAUTHORIZED PERSON OR ENTITY NOR REPRODUCED, TRANSFERRED OR INCORPORATED IN ANY OTHER PROJECT IN ANY MANNER WITHOUT THE EXPRESS WRITTEN CONSENT OF SAMTEC, INC.

DO NOT SCALE DRAWING

SHEET SCALE: 5:1

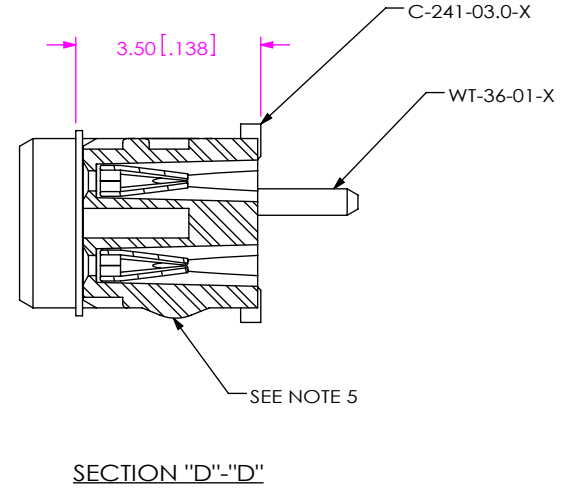
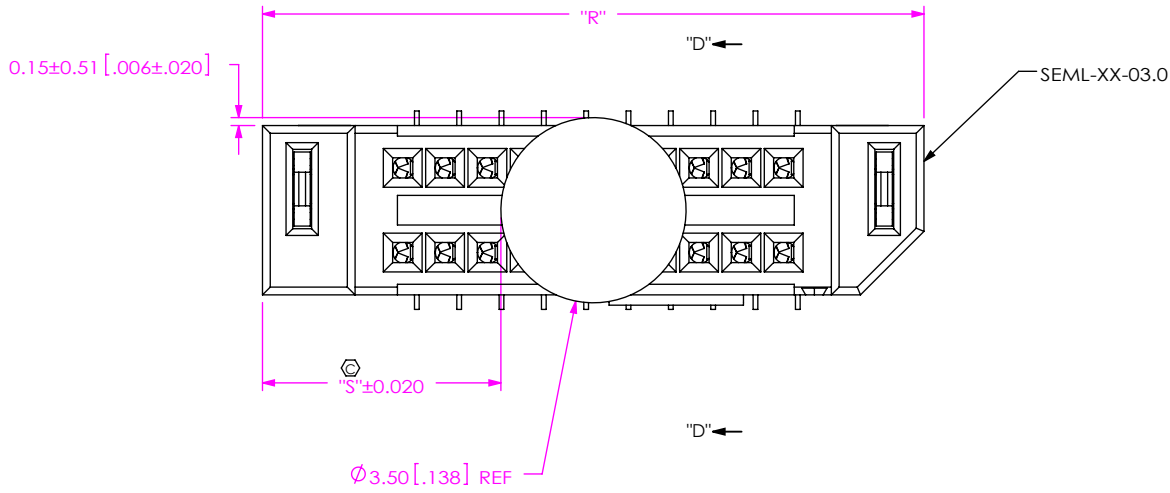
samtec

520 PARK EAST BLVD, NEW ALBANY, IN 47150
PHONE: 812-944-6733 FAX: 812-948-5047
e-Mail info@SAMTEC.com code 55322

DESCRIPTION:
.8MM TIGER EYE MICRO SOCKET
DWG. NO.
SEM-1XX-XX-XX.X-XX-D-XX-XX

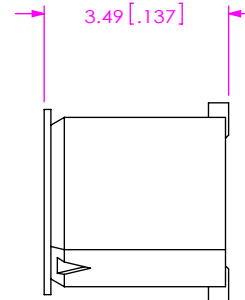
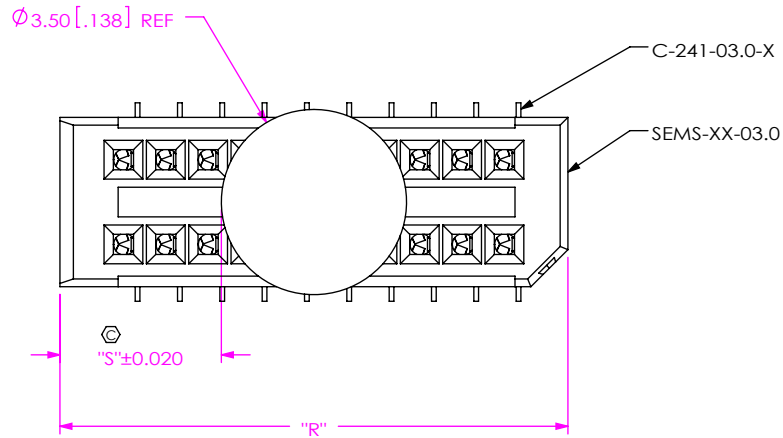
BY: B RAY 10-19-2007 SHEET 2 OF 3

FIG 6
SEML-110-02-03.0-XX-D-WT-K SHOWN



NOTE: "R" = OVERALL LENGTH (REF)
"S" = $\{("R" - 3.51 [0.138]) / 2 [0.0787]\} \pm 0.51 [0.02]$

FIG 7
SEMS-110-02-03.0-XX-D-K SHOWN



NOTE: "R" = $\{(No. \text{ OF POS} \times 0.800) + 1.600\} \pm 0.05$
"S" = $\{("R" - 3.51 [0.138]) / 2 [0.0787]\} \pm 0.51 [0.02]$

PROPRIETARY NOTE
THIS DOCUMENT CONTAINS CONFIDENTIAL AND PROPRIETARY INFORMATION AND ALL DESIGN, MANUFACTURING, REPRODUCTION, USE, PATENT RIGHTS AND SALES RIGHTS ARE EXPRESSLY RESERVED BY SAMTEC, INC. THIS DOCUMENT SHALL NOT BE DISCLOSED, IN WHOLE OR PART, TO ANY UNAUTHORIZED PERSON OR ENTITY NOR REPRODUCED, TRANSFERRED OR INCORPORATED IN ANY OTHER PROJECT IN ANY MANNER WITHOUT THE EXPRESS WRITTEN CONSENT OF SAMTEC, INC.

DO NOT SCALE DRAWING

SHEET SCALE: 7:1

samtec

520 PARK EAST BLVD, NEW ALBANY, IN 47150
PHONE: 812-944-6733 FAX: 812-948-5047
e-Mail info@SAMTEC.com code 55322

DESCRIPTION:
.8MM TIGER EYE MICRO SOCKET

DWG. NO.
SEM-X-1XX-XX-XX.X-XX-D-XX-XX

BY: B RAY 10-19-2007 SHEET 3 OF 3