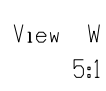
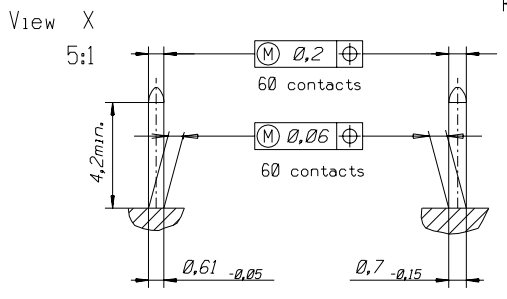
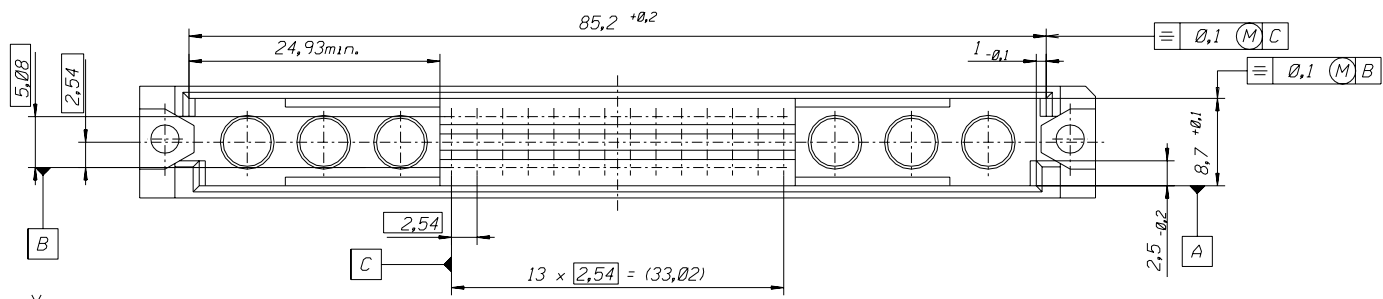
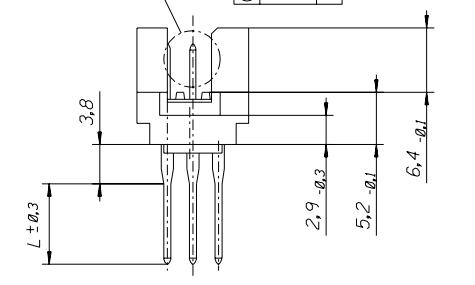
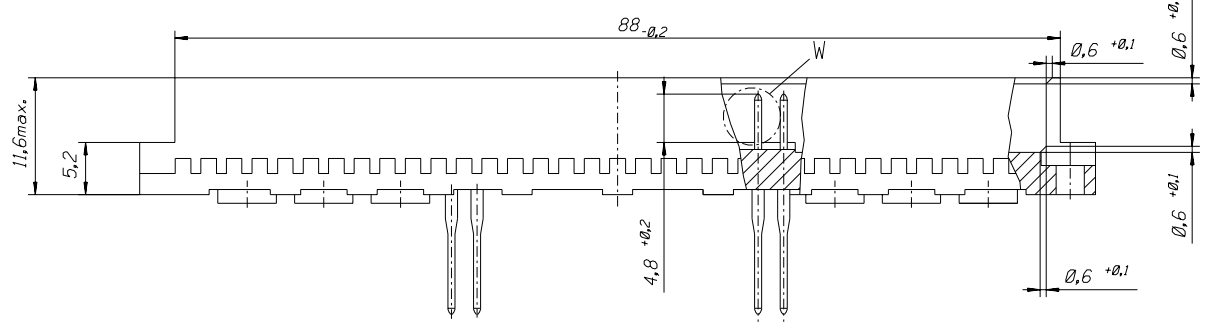
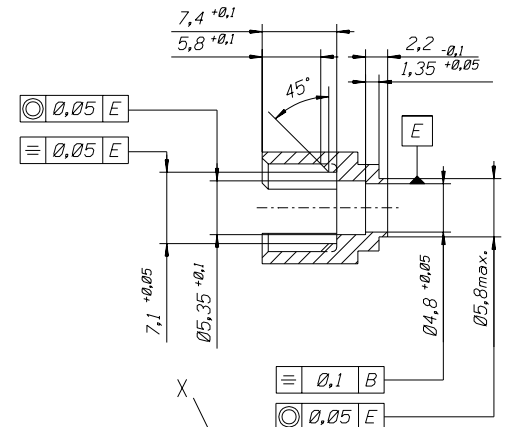
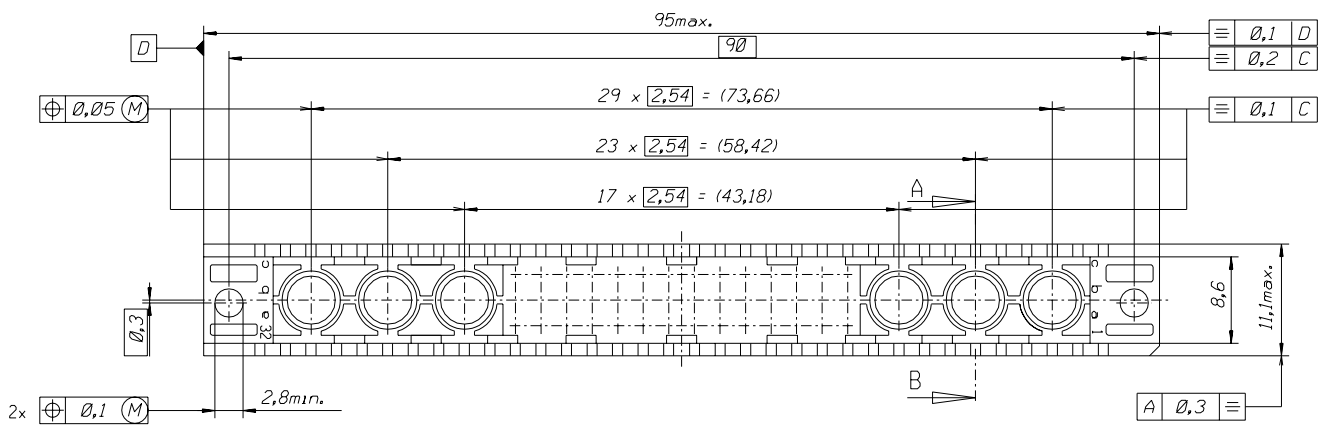


PART NO.
DWG. NO.

Section A-B
(without contacts)



FIRST ANGLE PROJECTION REVISE ONLY ON CAD SYSTEM SH. REV.

REVISIONS FOR PREVIOUS REVISIONS SEE WMT LIST	UNLESS OTHERWISE SPECIFIED TOLERANCES: ANGULAR $\pm 2'$	DRWG BY Ca	SIGN	CADCAM PROJECT NAME 60393241 dgn	THIS DRAWING CONTAINS INFORMATION THAT IS PROPRIETARY TO MOLEX INC. & SHOULD NOT BE USED WITHOUT WRITTEN PERMISSION	
	INCH	CHK'D BY KN	SIGN	TITLE 42 pos. Male connector DIN 41612 style M (C-Pin) inverted / Dimensions		
	3 PLACE \pm . \pm	DRAFT WHERE APPLICABLE MUST REMAIN WITHIN DIMENSIONS	APP'D BY	SIGN	MOLEX MOLEX EUROPE	SHEET NO. DATE 1 OF 3 93/05/04
	2 PLACE \pm . \pm	DESIGN DIMENSION <input type="checkbox"/> MM <input type="checkbox"/> IN.	SCALE 2:1	PART NO. see sh. no. 2 of 3	DWG NO. 603-6093-24	SIZE B
1 PLACE \pm . \pm	EQUIVALENT DIMENSION <input type="checkbox"/> MM <input type="checkbox"/> IN.					
	IF TWO DIMENSIONS ARE SHOWN THE UPPER IS THE DESIGN DIMENSION, LOWER IS SECONDARY					