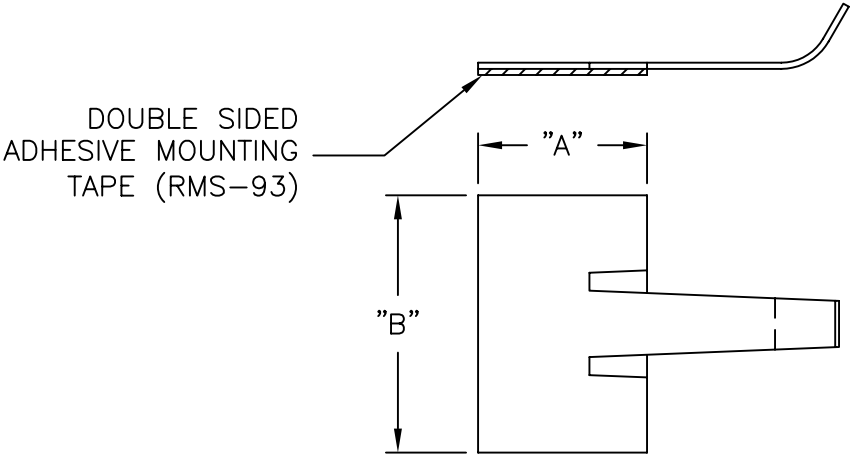


| PART NO. | DIM "A"    | DIM "B"    | MAX. BUNDLE DIA. |
|----------|------------|------------|------------------|
| RAK-1    | .44 (11.3) | .67 (17.1) | .23 (6.0)        |
| RAK-2    | .64 (16.3) | .76 (19.3) | .38 (9.5)        |



- NOTES:
1. MATERIAL: ALUMINIUM (RMS-194); BRIGHT FINISH
  2. COLOR: SILVER.
  3. POLYETHYLENE ADHESIVE TAPE (RMS-93)

|   |                           |  |           |                   |            |
|---|---------------------------|--|-----------|-------------------|------------|
| TITLE: ALUMINIUM CLAMP  |                           |  |           | DWG IN<br>IN (MM) |            |
| TOLERANCES UNLESS NOTED<br>.XX=±.015<br>.XXX=±.005<br>FRAC=±1/64<br>ANG=±1° |                           | FILE # RAK   | DWN: J.B. | APP:              | FINAL      |
| MAT'L: SEE NOTES  |                           | DT: 01-20-97   | DT:       | PART #            | PRINT TYPE |
| RE: RICHCO, INC.  |                           | RICHCO INC.<br>PO BOX 804238, CHICAGO, 60680<br>(773) 539-4060 |           | SEE TABLE         | CA         |
| B   | SEE ECN #1254 FOR CHANGES | SK 11.29.06  |           |                   |            |
| A   | SEE ECN #501 FOR CHANGES  | SM 10.24.02  |           |                   |            |
| REV   | DESCRIPTION               | ENGR DATE  |           |                   |            |