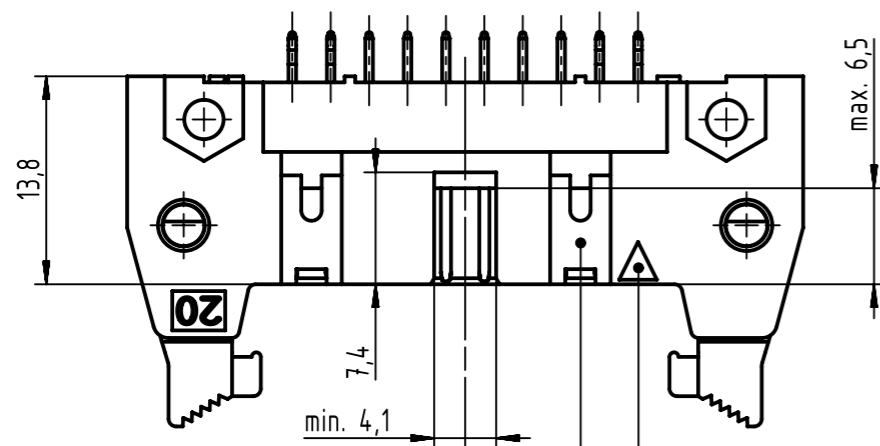
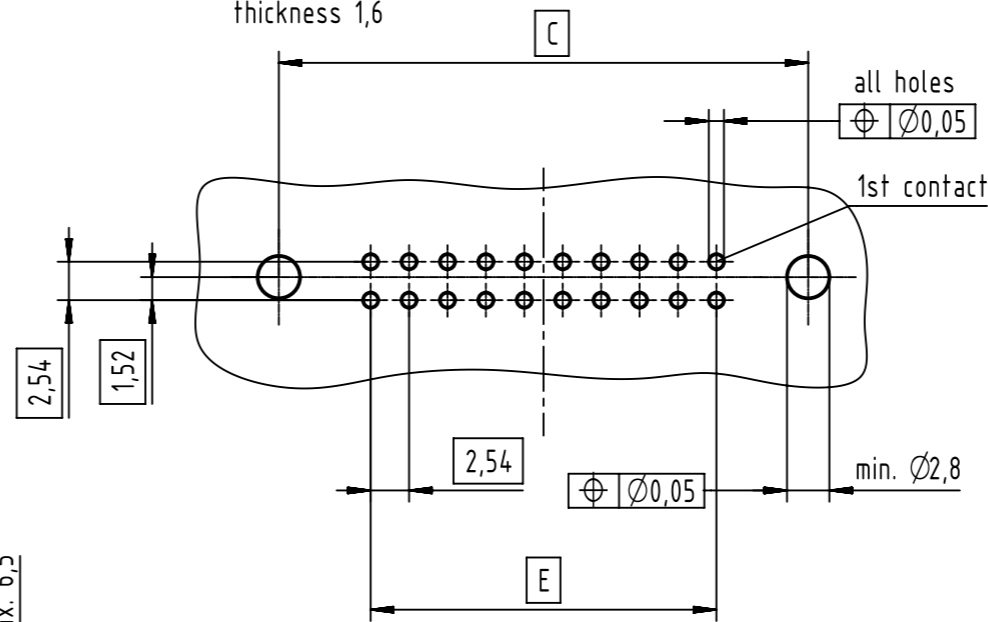
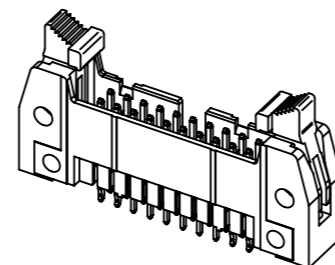


PCB layout  
view component side  
thickness 1,6

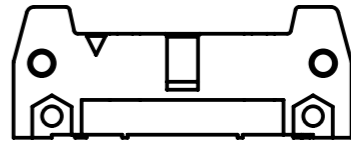
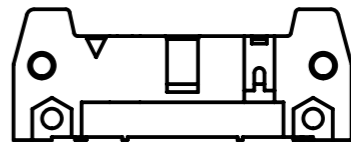





see table for coding,  
feature arrangement and style




further information see:  
DS 09181200001 for 09185XXX014  
DS 09191230202 for 09195XXX014

full range of P/N's and  
dimensions shown on page 2/2

<span style="border: 1px solid black; padding: 2px;">1</span> kinked contacts	
PCB thickness from 1,50 to 1,94 mm after Cu+Sn plating with non remelted plated through holes $\varnothing 0,85$ mm to $\varnothing 1,05$ mm max. insertion force = 125N min. retention force = 3N	
<span style="border: 1px solid black; padding: 2px;">2</span> non kinked contacts	
solder contacts for PCB connections $\varnothing 1\pm 0,1$ acc. to IEC 60603-13	
coding style table	
	style A: for connectors 6-pole
	style B: for connectors from 10 to 14-pole
	style C: for connectors from 16 to 64-pole

 All Dimensions in mm Original Size DIN A3		Scale 2:1	Free size tol. IEC 60603-13	Ref. Sub. TB 091X5XXX014 / 500000087654 / 2015-04-08	
 All rights reserved Department EC PD - DE	Created by STORCK	Inspected by TADJE	Standardisation KOHLE	Date 2015-12-21	State Final Release
	Title <b>SEK 18/19 male STD straight kinked with short lever 2.9</b>				Doc-Key / ECM-Nr. 100154464/UGD/043/A 50000094644
HARTING Electronics GmbH D-32339 Espelkamp		Type TB	Number 091X5XXX014		Rev. <b>A</b> Page 1/2

		performance level			dimensions						
		PL3	PL2	S4	solder process	insulator colour	A max.	C	D	E	F
no. of contacts	part number	part number	part number								
06	09 18 506 7014	09 18 506 6014	09 18 506 5014	wave soldering	grey	27,2	22,86	12,45	2,54 x 2 = 5,08	36,9	
10	09 18 510 7014	09 18 510 6014	09 18 510 5014			32,3	27,94	17,53	2,54 x 4 = 10,16	42,0	
14	09 18 514 7014	09 18 514 6014	09 18 514 5014			37,4	33,02	22,61	2,54 x 6 = 15,24	47,1	
16	09 18 516 7014	09 18 516 6014	09 18 516 5014			39,9	35,56	25,15	2,54 x 7 = 17,78	49,6	
20	09 18 520 7014	09 18 520 6014	09 18 520 5014			45,0	40,64	30,23	2,54 x 9 = 22,86	54,7	
24	09 18 524 7014	09 18 524 6014	09 18 524 5014			50,1	45,72	35,91	2,54 x 11 = 27,94	59,8	
26	09 18 526 7014	09 18 526 6014	09 18 526 5014			52,6	48,26	37,85	2,54 x 12 = 30,48	62,3	
30	09 18 530 7014	09 18 530 6014	09 18 530 5014			58,0	53,34	43,83	2,54 x 14 = 35,56	68,2	
34	09 18 534 7014	09 18 534 6014	09 18 534 5014			62,8	58,42	48,01	2,54 x 16 = 40,64	72,5	
40	09 18 540 7014	09 18 540 6014	09 18 540 5014			70,4	66,04	55,63	2,54 x 19 = 48,26	80,1	
50	09 18 550 7014	09 18 550 6014	09 18 550 5014			83,1	78,74	68,33	2,54 x 24 = 60,96	92,8	
60	09 18 560 7014	09 18 560 6014	09 18 560 5014			95,8	91,44	81,03	2,54 x 29 = 73,66	105,5	
64	09 18 564 7014	09 18 564 6014	09 18 564 5014			100,9	96,52	86,11	2,54 x 31 = 78,74	110,6	
06	09 19 506 7014	09 19 506 6014	09 19 506 5014			wave & reflow soldering	beige	27,2	22,86	12,45	2,54 x 2 = 5,08
10	09 19 510 7014	09 19 510 6014	09 19 510 5014	32,3	27,94			17,53	2,54 x 4 = 10,16	42,0	
14	09 19 514 7014	09 19 514 6014	09 19 514 5014	37,4	33,02			22,61	2,54 x 6 = 15,24	47,1	
16	09 19 516 7014	09 19 516 6014	09 19 516 5014	39,9	35,56			25,15	2,54 x 7 = 17,78	49,6	
20	09 19 520 7014	09 19 520 6014	09 19 520 5014	45,0	40,64			30,23	2,54 x 9 = 22,86	54,7	
24	09 19 524 7014	09 19 524 6014	09 19 524 5014	50,1	45,72			35,91	2,54 x 11 = 27,94	59,8	
26	09 19 526 7014	09 19 526 6014	09 19 526 5014	52,6	48,26			37,85	2,54 x 12 = 30,48	62,3	
30	09 19 530 7014	09 19 530 6014	09 19 530 5014	58,0	53,34			43,83	2,54 x 14 = 35,56	68,2	
34	09 19 534 7014	09 19 534 6014	09 19 534 5014	62,8	58,42			48,01	2,54 x 16 = 40,64	72,5	
40	09 19 540 7014	09 19 540 6014	09 19 540 5014	70,4	66,04			55,63	2,54 x 19 = 48,26	80,1	
50	09 19 550 7014	09 19 550 6014	09 19 550 5014	83,1	78,74			68,33	2,54 x 24 = 60,96	92,8	
60	09 19 560 7014	09 19 560 6014	09 19 560 5014	95,8	91,44			81,03	2,54 x 29 = 73,66	105,5	
64	09 19 564 7014	09 19 564 6014	09 19 564 5014	100,9	96,52			86,11	2,54 x 31 = 78,74	110,6	

	All rights reserved	Created by	Inspected by	Standardisation	Date	State	
	Department EC PD - DE	STORCK	TADJE	KOHLER	2015-12-21	Final Release	
HARTING Electronics GmbH D-32339 Espelkamp		Title SEK 18/19 male STD straight kinked with short lever 2.9				Doc-Key / ECM-Nr. 100154464/UGD/043/A 50000094644	
		Type	Number		Rev.	Page	
		TB	091X5XXX014		A	2/2	