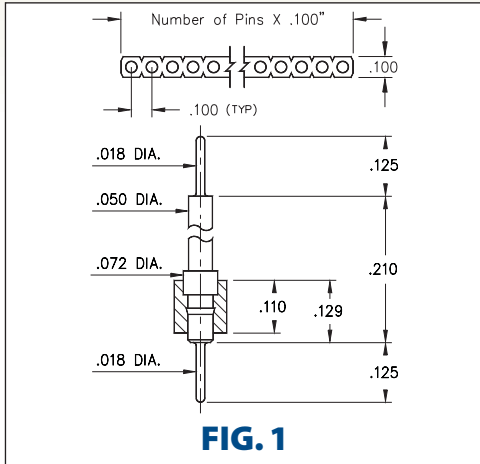
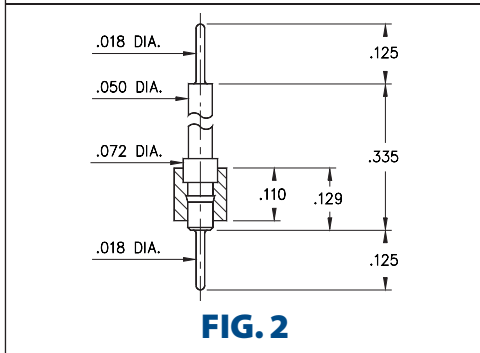


# INTERCONNECTS

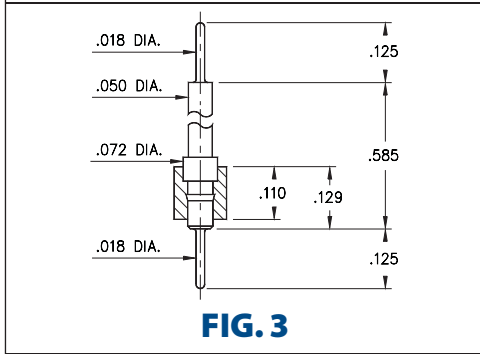
## SERIES 342 • .100" GRID BOARD STACKING HEADERS • SINGLE ROW STRIPS



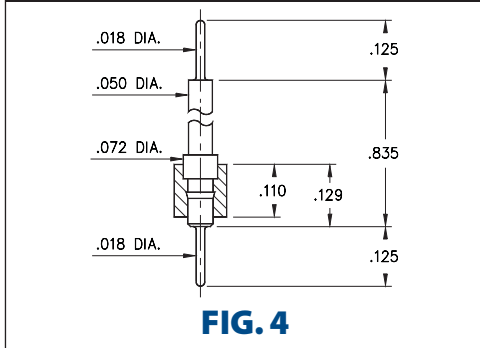
**FIG. 1**



**FIG. 2**



**FIG. 3**



**FIG. 4**

- Series 342 interconnect header strips come in four heights with .018" dia. pluggable solder tails at both ends

342...591 uses pin #4259-1 (L = .210")  
 342...592 uses pin #4259-2 (L = .335")  
 342...593 uses pin #4259-3 (L = .585")  
 342...594 uses pin #4259-4 (L = .835")  
 See page 212 for details

- Insulators are high temperature thermoplastic, suitable for all soldering operations



### ORDERING INFORMATION

	Series 342...591	.018" / .018" Dia. Solder Tails
<b>FIG. 1</b>	342-XX-1	-00-591000 Specify number of pins 01-64
<b>FIG. 2</b>	Series 342...592	.018" / .018" Dia. Solder Tails
	342-XX-1	-00-592000 Specify number of pins 01-64
<b>FIG. 3</b>	Series 342...593	.018" / .018" Dia. Solder Tails
	342-XX-1	-00-593000 Specify number of pins 01-64
<b>FIG. 4</b>	Series 342...594	.018" / .018" Dia. Solder Tails
	342-XX-1	-00-594000 Specify number of pins 01-64



XX=Plating Code  
See Below

For  
Electrical, Mechanical  
& Environmental Data,  
See page 264

SPECIFY PLATING CODE XX=	10 ◆	90	40 ◆	
Pin Plating	10 μ" Au	200 μ" Sn/Pb	200 μ" Sn	

