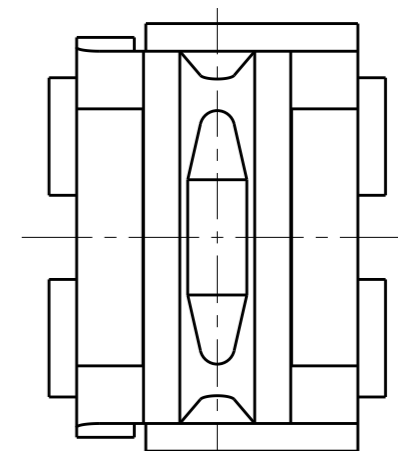
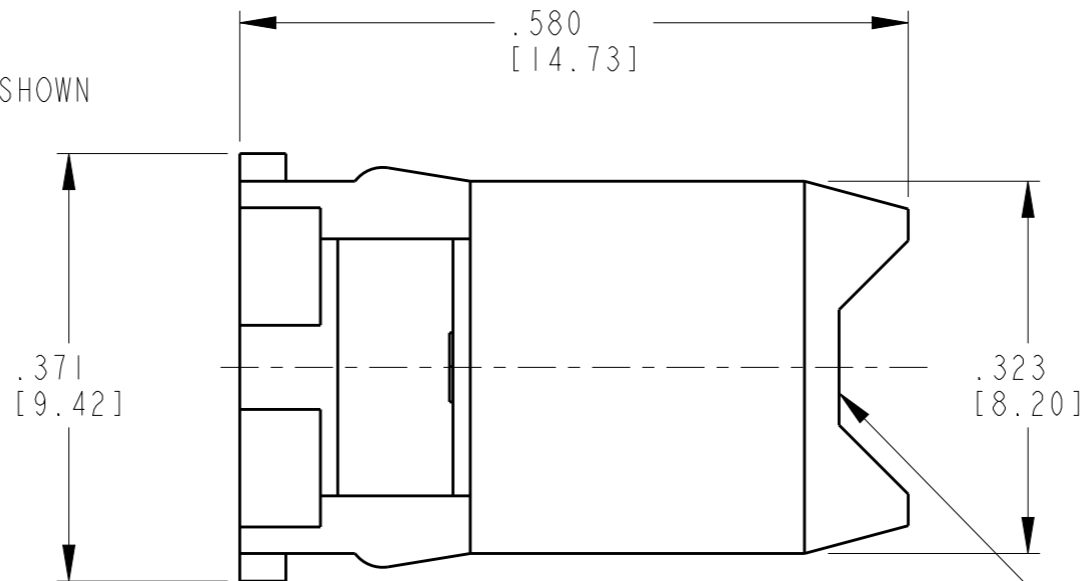
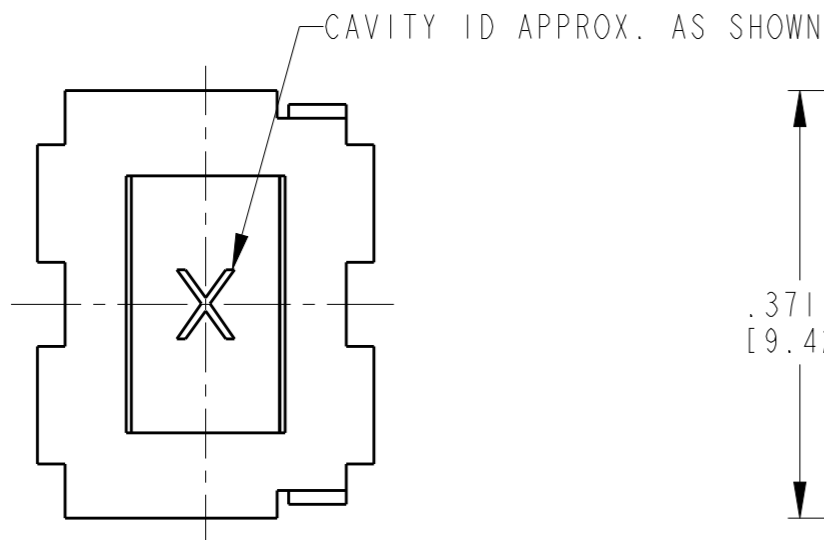
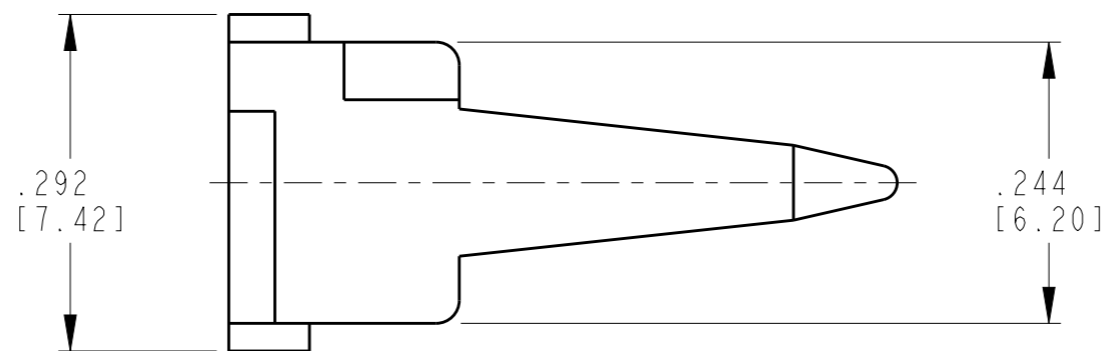
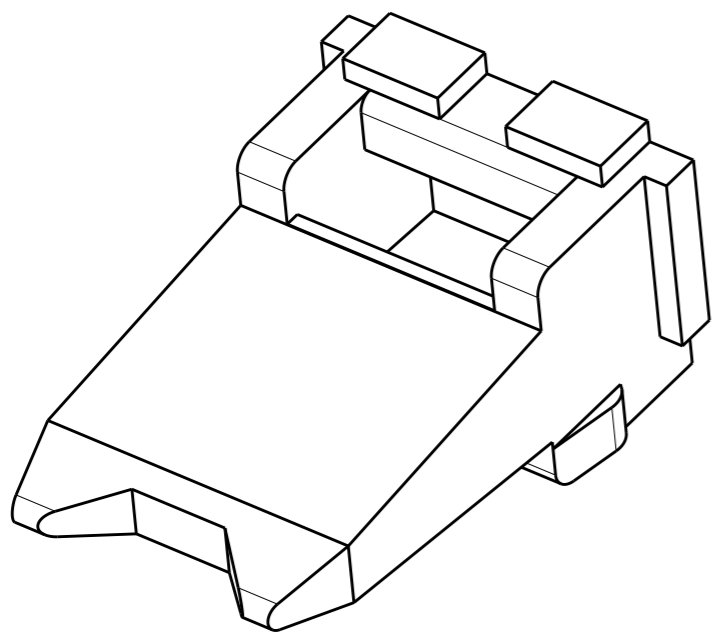


THIS DRAWING IS UNPUBLISHED. RELEASED FOR PUBLICATION 2014
 © COPYRIGHT 2014 TE CONNECTIVITY ALL RIGHTS RESERVED.


LOC	DIST	REVISIONS			
P	LTR	DESCRIPTION	DATE	DWN	APVD
-	-	NC	NEW RELEASE PER EO A09299	2/9/90	CW JA
		A	REVISED PER EO PI5887	2/15/99	ST RDR
		B	REVISED PER ECO-14-003390	3/26/14	RLM DM



CUTOUT FEATURE OPTIONAL



1. USED WITH DT04-4P-**** (**** = ALL MODIFICATIONS).
 CONSULT FACTORY FOR MODIFICATION AND APPLICATION.

THIS DRAWING IS A CONTROLLED DOCUMENT.		DWN 08 JAN 2014 R. MESSENGER	 TE Connectivity	
DIMENSIONS: INCHES [mm]		CHK 09 JAN 2014 R. MESSENGER		
TOLERANCES UNLESS OTHERWISE SPECIFIED:		APVD 20 FEB 2014 D. MEYER	PRODUCT SPEC	RESTRICTED TO
0 PLC ± 1 PLC ± 2 PLC ± 3 PLC ±0.010 [0.25] 4 PLC ± ANGLES ±0°30'0"		APPLICATION SPEC	SIZE A3	CAGE CODE 4AFU8
MATERIAL PLASTIC GREEN	FINISH -	WEIGHT 0.48 g	DRAWING NO. C-W4P	SCALE 6:1
		CUSTOMER DRAWING	SHEET 1 OF 1	REV B