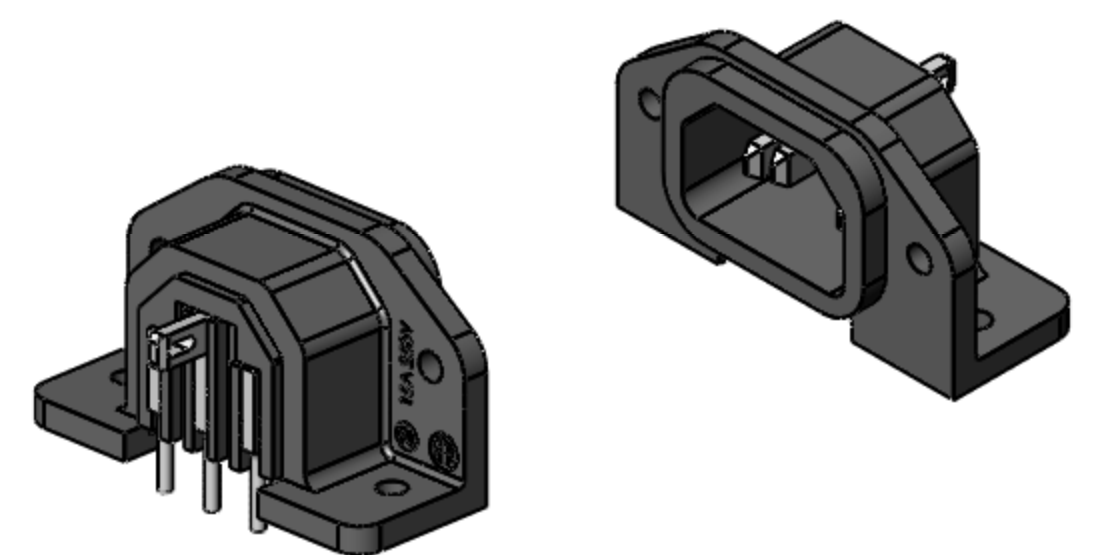


- NOTES:
1. MEETS IEC 60320 SPECIFICATION.
 2. AGENCY APPROVAL & RATING:
VDE: 10A, 250V AC.
UL & CSA: 15A, 250V AC.
 3. MATERIALS:
HOUSING AND COVER, BLACK THERMOPLASTIC.
TERMINALS, TIN PLATED COPPER ALLOY.
 4. THIS PRODUCT IS RoHS COMPLIANT.



CUSTOMER DRAWING

UNLESS OTHERWISE SPECIFIED					THIS DRAWING DESCRIBES A DESIGN CONSIDERED PROPRIETARY IN NATURE, DEVELOPED AND MANUFACTURED BY SWITCHCRAFT INC. AND IS RELEASED ON A CONFIDENTIAL BASIS FOR IDENTIFICATION PURPOSES ONLY.				
1. ALL DIMENSIONS IN INCHES					SIZE	WIDTH	MULT	LBS/M	TEMPER
- TWO PLACE DECIMALS ± 0.02					FINISH				
- THREE PLACE DECIMALS ± 0.005					SPEC No.		MATERIAL SPEC No.		
DO NOT SCALE DRAWING					FIRST USED ON		SCALE 3:1		
L	26887	11/29/11	BL	TJK	DATE DRAWN	BY	CHKD	APVD	Switchcraft®
K	24129	03/27/02	BL	TJK	05/05/89	TJK	GHJ	RV	
REV	ECO NUMBER	DATE	BY	APVD	NAME MALE AC RECEPTACLE RIGHT ANGLE PC MOUNT, RoHS		PART No. EAC333		REV L
REVISIONS					SHEET 1 OF 1				