

REMARK:
 1.CHARACTERISTICS:
 RATED VOLTAGE: 250V
 RATED CURRENT: 5AMP
 CONTACT RESISTANCE: 25mohms MAX.INITIAL;40mohmsMAX.AFTER.
 INSULATION RESISTANCE: 5000Mohms MIN.at 500V DC
 DIELECTRIC STRENGTH: 1000VRMS
 OPERATING TEMPERATURE RANGE: -55°C~105°C
 INSERTION/EXTRACTION FORCE PER CONTACT: 5N Max./0.3N Min.
 MATING/UNMATING CYCLES:50MATINGS MIN.

2.MATERIAL:
 INSULATORS: GLASS-FILLED THERMOPLASTIC UL94V-0, COLOR IN BLACK.
 CONTACTS: COPPER ALLOY, SELECTIVE GOLD ON CONTACT AREA,
 100u" Min MATTE TIN TOP OVER SOLDER AREA
 30u" Min NICKEL UNDER PLATE.
 SHELL: STEEL,100u" Min NICKEL TOP OVER,
 50u" Min COPPER UNDER PLATE.
 BOARD LOCK: COPPER ALLOY,100u" Min MATTE TIN PLATED.

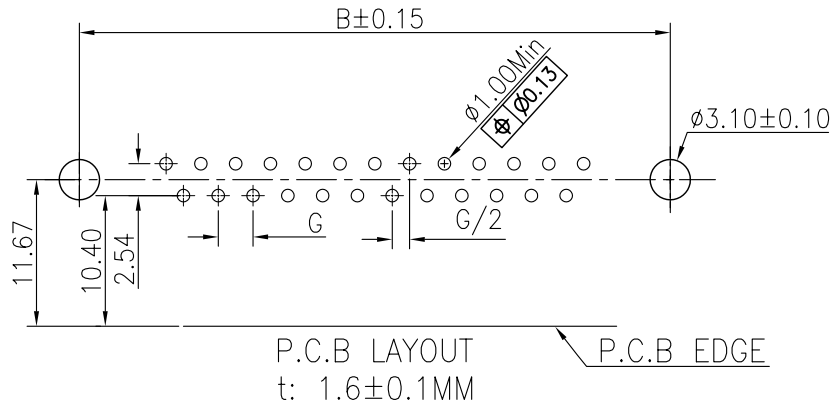
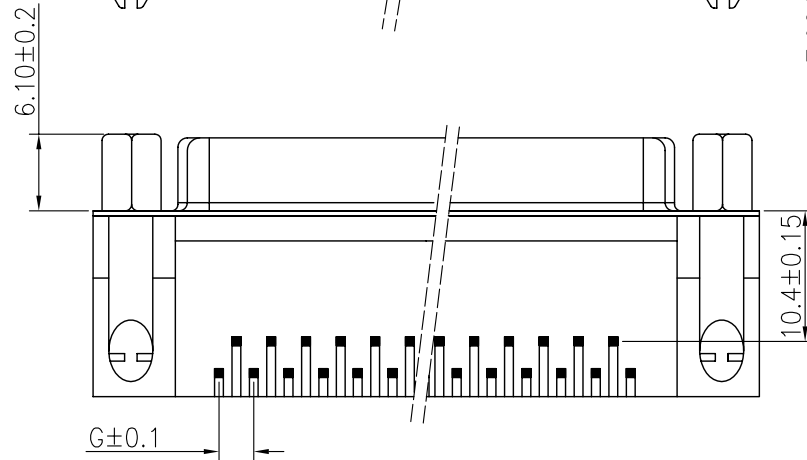
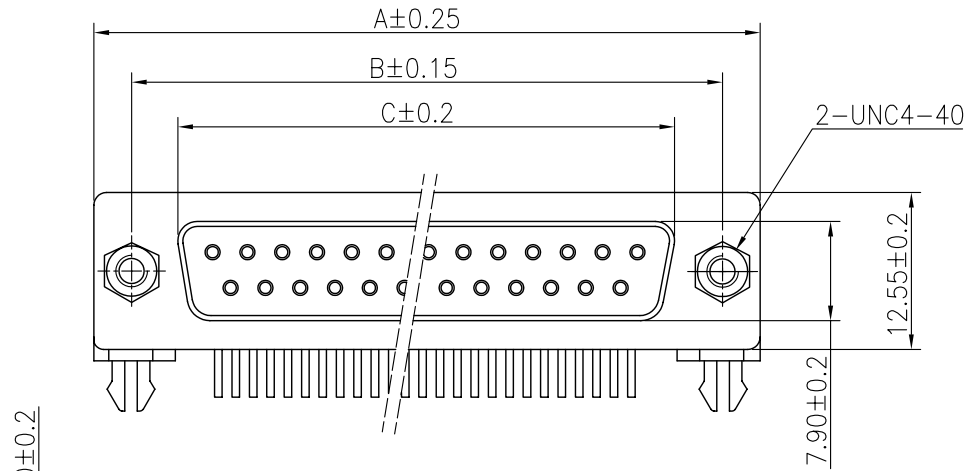
3. PART NUMBER DESCRIPTION: **10090768-S XX X X LF**

SERIES NO. _____
 TYPE _____
 S: SOCKET (FEMALE)
 NUMBER OF CONTACTS _____
 09: 9-PIN
 15: 15-PIN
 25: 25-PIN
 37: 37-PIN

LF: ROHS COMPLIANT
 FLANGE MOUNTING OPTION
 X: UNC #4-40 CLINCHNUTS
 L: M3 CLINCHNUTS
 CONTACT FINISH
 4: GOLD FLASH
 6: 30u" PLATING OPTION
 AVAILABLE ON REQUEST

| POS. | PART NO. | | | THREAD TYPE |
|------|------------------|-------|-------|-------------|
| 09P | 10090768-S09*LLF | | | M3*0.5 |
| 15P | 10090768-S15*LLF | | | M3*0.5 |
| 25P | 10090768-S25*LLF | | | M3*0.5 |
| 37P | 10090768-S37*LLF | | | M3*0.5 |
| 09P | 10090768-S09*XLF | | | UNC 4-40 |
| 15P | 10090768-S15*XLF | | | UNC 4-40 |
| 25P | 10090768-S25*XLF | | | UNC 4-40 |
| 37P | 10090768-S37*XLF | | | UNC 4-40 |
| POS. | A | B | C | G |
| 09P | 30.81 | 24.99 | 16.33 | 2.74 |
| 15P | 39.24 | 33.32 | 24.66 | 2.74 |
| 25P | 53.04 | 47.04 | 38.38 | 2.77 |
| 37P | 69.32 | 63.50 | 54.84 | 2.77 |

| mat'l. code | | | | tolerances unless otherwise specified | | CUSTOMER COPY | | FCI | |
|-------------|----------------|-----|---------|---------------------------------------|---------------------|---------------|--------------------------------------|--------------------|--------|
| ltr | ecn no | dr | date | linear | .X ± 0.38 | projection | title | www.fciconnect.com | |
| A | T09-1033 | J.H | 3/12/09 | | .XX ± 0.25 | | D-SUB FEMALE RIGHT-ANGLE EU STYLE | | |
| B | T09-1044 | J.H | 4/2/09 | angles | .XXX ± 0.10 | | | | |
| C | ELX-I-13433 | AB | 9/11/12 | | 0° ± 2° | | product family | D-SUB | code |
| | | | | dr | JASON HSU 3/12/09 | MM | size | DWG NO | TWN |
| | | | | enr | JASON HSU 3/12/09 | scale | A4 | 10090768 | sheet |
| | | | | chr | ALIAS BABU 9/11/12 | 1:1 | | | 1 of 2 |
| | | | | appd | MITHUN PAUL 9/11/12 | | | | |
| sheet index | revision sheet | C | C | | | | | | |
| | | 1 | 2 | | | | | | |



REMARK:

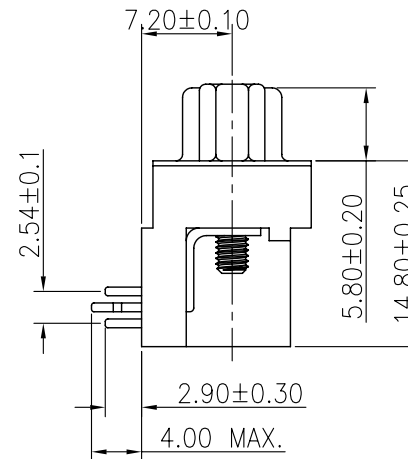
1.CHARACTERISTICS:
 RATED VOLTAGE: 250V
 RATED CURRENT: 5AMP
 CONTACT RESISTANCE: 25mohms MAX.INITIAL,40mohms MAX.AFTER.
 INSULATION RESISTANCE: 5000Mohms MIN.at 500V DC
 DIELECTRIC STRENGTH: 1000VRMS
 OPERATING TEMPERATURE RANGE: -55 °c~105 °c
 INSERTION/EXTRACTION FORCE PER CONTACT :5N Max./0.3N Min.
 MATING/UNMATING CYCLES:50MATINGS MIN.

2.MATERIAL:

INSULATORS: GLASS-FILLED THERMOPLASTIC UL94V-0, COLOR IN BLACK.
 CONTACTS: COPPER ALLOY,SELECTIVE GOLD ON CONTACT AREA,
 100u" Min MATTE TIN TOP OVER SOLDER AREA,
 30u" Min NICKEL UNDER PLATE.
 SHELL: STEEL,100u" Min NICKEL TOP OVER,
 50u" Min COPPER UNDER PLATE.
 BOARD LOCK:COPPER ALLOY, 100u" Min MATTE TIN PLATED.
 SCREW LOCK: COPPER ALLOY, 100u" Min BRIGHT NICKEL PLATED.

3. PART NUMBER DESCRIPTION: **10090768-S XX X X LF**

SERIES NO. _____ LF: ROHS COMPLIANT
 TYPE _____ FLANGE MOUNTING OPTION
 S: SOCKET (FEMALE) V: UNC #4-40 SCREWS/LOCKS
 NUMBER OF CONTACTS _____ CONTACT FINISH
 09: 9-PIN 4: FLASH GOLD
 15: 15-PIN 6: 30u" PLATING OPTION AVAILABLE
 25: 25-PIN ON REQUEST
 37: 37-PIN



| POS. | PART NO. |
|------|------------------|
| 09P | 10090768-S09*VLF |
| 15P | 10090768-S15*VLF |
| 25P | 10090768-S25*VLF |
| 37P | 10090768-S37*VLF |

| POS. | A | B | C | G |
|------|-------|-------|-------|------|
| 09P | 30.81 | 24.99 | 16.33 | 2.74 |
| 15P | 39.24 | 33.32 | 24.66 | 2.74 |
| 25P | 53.04 | 47.04 | 38.38 | 2.77 |
| 37P | 69.32 | 63.50 | 54.84 | 2.77 |

| mat'l. code | | | | tolerances unless otherwise specified | | CUSTOMER COPY | | FCI | |
|-------------|----------------|----|------|---------------------------------------|---------------------|---------------|-----------------------------------|-----|--------|
| ltr | ecn no | dr | date | linear | .X ± 0.38 | projection | www.fciconnect.com | | |
| C | | | | | .XX ± 0.25 | | title | | |
| | | | | angles | .XXX ± 0.10 | | D-SUB FEMALE RIGHT-ANGLE EU STYLE | | |
| | | | | | 0° ± 2° | | product family | | code |
| | | | | dr | JASON HSU 6/30/08 | | D-SUB | | TWN |
| | | | | enr | JASON HSU 6/30/08 | MM | size | | sheet |
| | | | | chr | ALIAS BABU 9/11/12 | scale | 10090768 | | 2 of 2 |
| | | | | appd | MITHUN PAUL 9/11/12 | 1:1 | | | |
| sheet index | revision sheet | | | | | | | | |