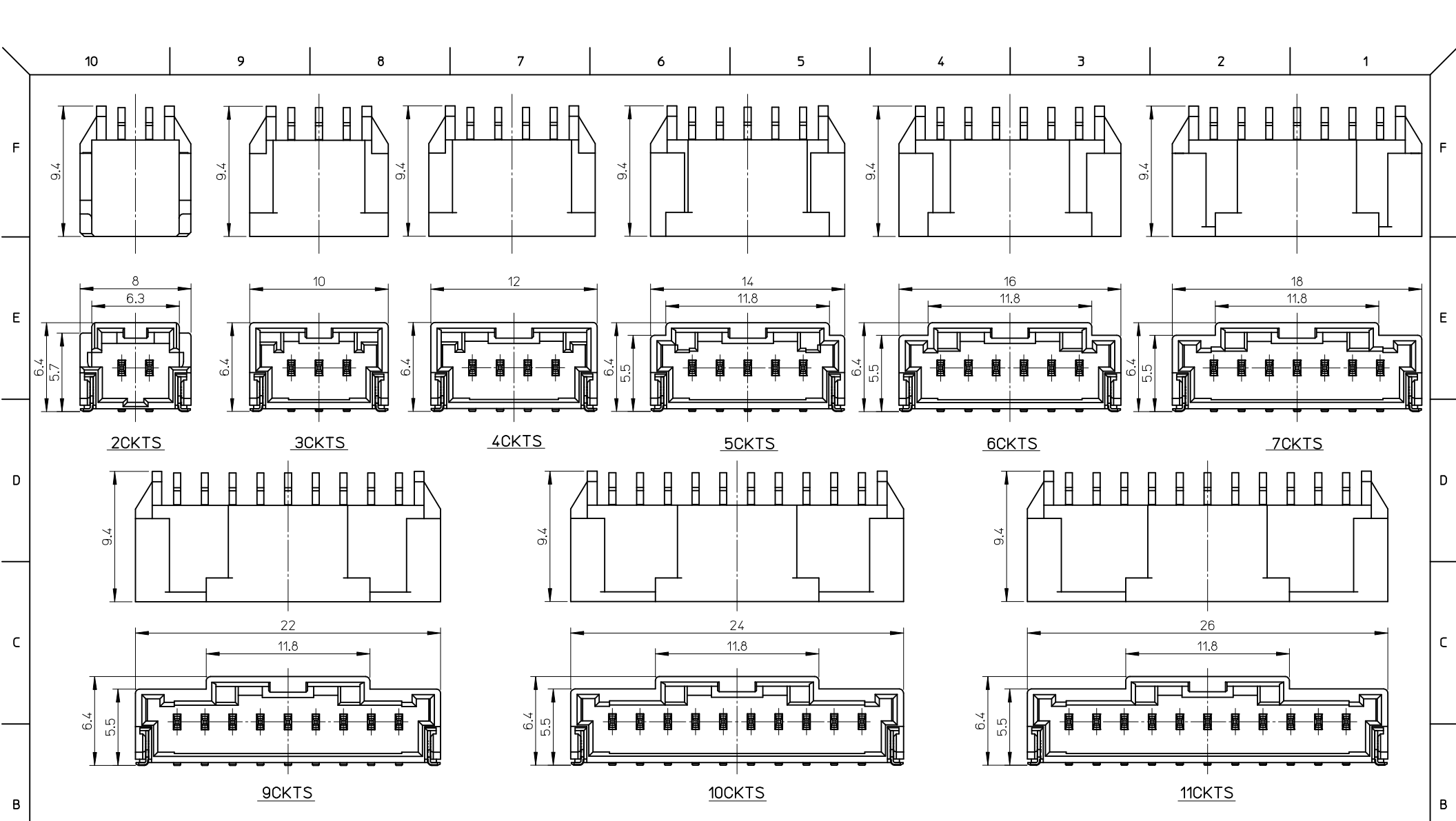


注記 NOTES

- 材質
ハウジング: 耐熱性ナイロン UL94V-0
ピン: 銅合金、ニッケル下地、錫メッキ、金メッキ
フィッティングネール: 銅合金、ニッケル下地、錫メッキ
MATERIAL
HOUSING: POLYAMIDE UL94V-0
PIN: COPPER ALLOY, GOLD OR TIN OVER NICKEL PLATE.
FITTING NAIL: COPPER ALLOY, TIN OVER NICKEL PLATE.
- 色: ナチュラル、黒、赤、青
COLOR: NATURAL, BLACK, RED, BLUE
- 嵌合相手
ハウジング: 502351-**0*
錫メッキ端子: 50212-8*00, 50372-8*00, 560085-0101
金メッキ端子: 56161-8*81
MATES WITH
HOUSING: 502351-**0*
SN PLATING TERMINAL: 50212-8*00, 50372-8*00, 560085-0101
AU PLATING TERMINAL: 56161-8*81
- エンボス梱包品の詳細はSD-502352-002参照
DETAILED TAPING PACKAGE, SEE SD-502352-002.
- ELV及びRoHS適合
ELV AND RoHS COMPLIANT
- 半田付け面のコプラナリティ: 0.1mm MAX.
CO-PLANARITY OF SOLDERING TAILS TO BE 0.1mm MAX.

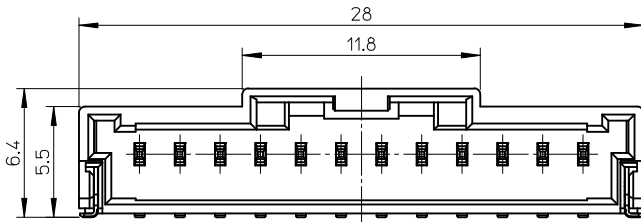
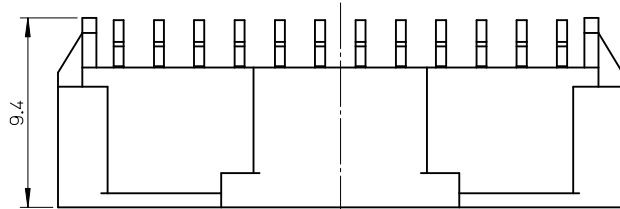
- 一般公差
GENERAL TOLERANCES
10 UNDER: 0.2
10 OVER 30 UNDER: 0.25
30 OVER: 0.3
ANGULAR: ±3°

REVISED EC NO: JTR2016-0015 DR: WNKAGAI02 CHK: D: HKOMATSU APPR: MAYAMAMOTO	DESCRIPTION QUALITY SYMBOLS △E=0 △F=0 △G=0	GENERAL TOLERANCES (UNLESS SPECIFIED)		DIMENSION STYLE MM ONLY		SCALE 5:1	DESIGN UNITS METRIC	THIRD ANGLE PROJECTION	
		mm	INCH	DRAWN BY SHSHIBATA	DATE 2007/12/18	TITLE 2.0MM PITCH W/B CONN. WAFER ASSY R/A SMT			
		4 PLACES ± --- ± ---	3 PLACES ± --- ± ---	CHECKED BY HKOMATSU	DATE 2007/12/18	DOCUMENT NO. SD-502352-001			
		2 PLACES ± --- ± ---	1 PLACE ± --- ± ---	APPROVED BY AKANESHIGE	DATE 2007/12/18				
K	REV	ANGULAR ± - °		DRAFT WHERE APPLICABLE MUST REMAIN WITHIN DIMENSIONS		THIS DRAWING CONTAINS INFORMATION THAT IS PROPRIETARY TO MOLEX INCORPORATED AND SHOULD NOT BE USED WITHOUT WRITTEN PERMISSION			

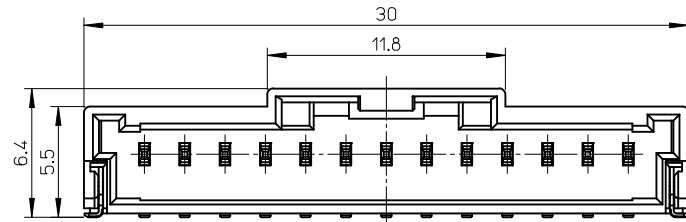
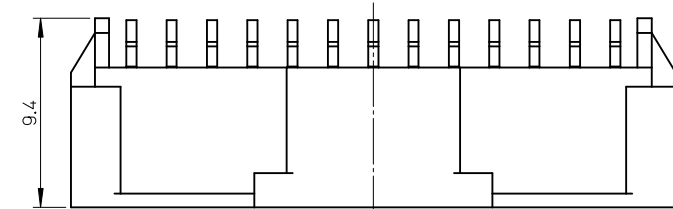


REVISED EC NO: JTR2016-0015 DRWN:KNAGA I02 2016/03/01 CHKD:HKOMATSU 2016/03/04 APPR:MATAMAMOTO 2016/03/08	QUALITY SYMBOLS $\nabla = 0$ $\nabla \square = 0$ $\nabla \square = 0$	GENERAL TOLERANCES (UNLESS SPECIFIED)		DIMENSION STYLE MM ONLY	SCALE 4:1	DESIGN UNITS METRIC	THIRD ANGLE PROJECTION																												
		<table border="1"> <thead> <tr> <th></th> <th>mm</th> <th>INCH</th> </tr> </thead> <tbody> <tr> <td>4 PLACES</td> <td>± 0.10</td> <td>± 0.004</td> </tr> <tr> <td>3 PLACES</td> <td>± 0.15</td> <td>± 0.005</td> </tr> <tr> <td>2 PLACES</td> <td>± 0.20</td> <td>± 0.008</td> </tr> <tr> <td>1 PLACE</td> <td>± 0.30</td> <td>± 0.012</td> </tr> <tr> <td>0 PLACE</td> <td>± 0.40</td> <td>± 0.016</td> </tr> </tbody> </table>		mm	INCH	4 PLACES	± 0.10	± 0.004	3 PLACES	± 0.15	± 0.005	2 PLACES	± 0.20	± 0.008	1 PLACE	± 0.30	± 0.012	0 PLACE	± 0.40	± 0.016	<table border="1"> <thead> <tr> <th>DRAWN BY</th> <th>DATE</th> <th>TITLE</th> </tr> </thead> <tbody> <tr> <td>SHSHIBATA</td> <td>2007/12/18</td> <td rowspan="4"> 2.0MM PITCH W/B CONN. WAFER ASSY R/A SMT molex </td> </tr> <tr> <td>CHECKED BY</td> <td>DATE</td> </tr> <tr> <td>APPROVED BY</td> <td>DATE</td> </tr> <tr> <td>AKANESHIGE</td> <td>2007/12/18</td> </tr> </tbody> </table>	DRAWN BY	DATE	TITLE	SHSHIBATA	2007/12/18	2.0MM PITCH W/B CONN. WAFER ASSY R/A SMT molex	CHECKED BY	DATE	APPROVED BY	DATE	AKANESHIGE	2007/12/18	DOCUMENT NO. SD-502352-001	SHEET NO. 2 OF 4
			mm	INCH																															
		4 PLACES	± 0.10	± 0.004																															
3 PLACES	± 0.15	± 0.005																																	
2 PLACES	± 0.20	± 0.008																																	
1 PLACE	± 0.30	± 0.012																																	
0 PLACE	± 0.40	± 0.016																																	
DRAWN BY	DATE	TITLE																																	
SHSHIBATA	2007/12/18	2.0MM PITCH W/B CONN. WAFER ASSY R/A SMT molex																																	
CHECKED BY	DATE																																		
APPROVED BY	DATE																																		
AKANESHIGE	2007/12/18																																		
DRAFT WHERE APPLICABLE MUST REMAIN WITHIN DIMENSIONS	ANGULAR ± °	SEE CHART	THIS DRAWING CONTAINS INFORMATION THAT IS PROPRIETARY TO MOLEX INCORPORATED AND SHOULD NOT BE USED WITHOUT WRITTEN PERMISSION																																
REV	DESCRIPTION	SIZE A3																																	

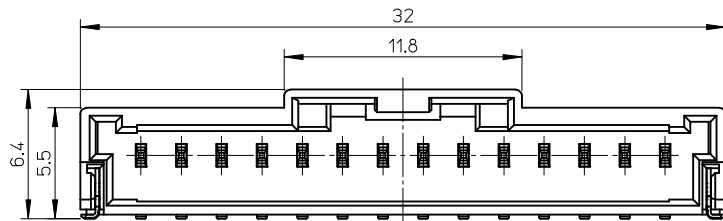
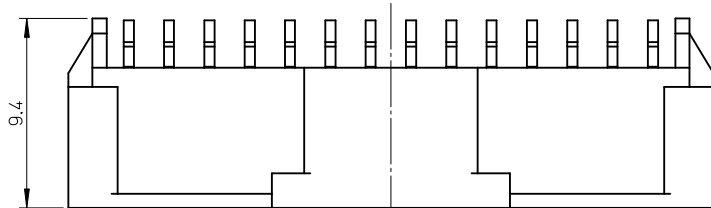
10 9 8 7 6 5 4 3 2 1



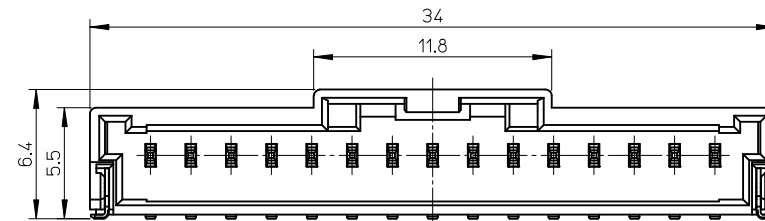
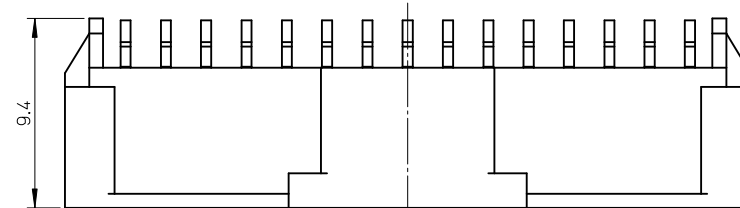
12CKTS



13CKTS



14CKTS



15CKTS

REVISED EC NO: JTR2016-0015 DRW:KNAGA I02 2016/03/01 CHKD:HKOMATSU 2016/03/04 APPR:MIYAMOTO 2016/03/08	QUALITY SYMBOLS F _A = 0 F _B = 0 F _C = 0 F _D = 0	GENERAL TOLERANCES (UNLESS SPECIFIED)		DIMENSION STYLE MM ONLY	SCALE 4:1	DESIGN UNITS METRIC	THIRD ANGLE PROJECTION		
		4 PLACES ± --- ± ---	3 PLACES ± --- ± ---	2 PLACES ± --- ± ---	1 PLACE ± --- ± ---	0 PLACE ± ±	DRAWN BY SHSHIBATA	DATE 2007/12/18	TITLE 2.0MM PITCH W/B CONN. WAFER ASSY R/A SMT
		ANGULAR ± - °		DRAFT WHERE APPLICABLE MUST REMAIN WITHIN DIMENSIONS		CHECKED BY HKOMATSU	DATE 2007/12/18	APPROVED BY AKANESHIGE	DATE 2007/12/18
		SEE CHART		MATERIAL NO.	DOCUMENT NO. SD-502352-001	SHEET NO. 3 OF 4			

9 8 7 6 5 4 3 2 1

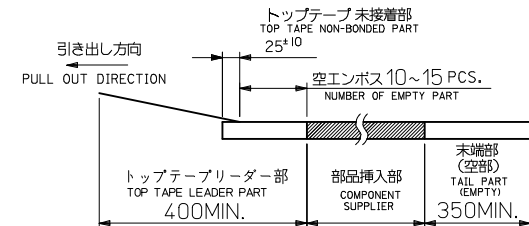
	10	9	8	7	6	5	4	3	2	1					
F	Sn NATURAL	34.0	502352-1500	15	Au NATURAL	34.0	502352-1510	15							
		32.0	502352-1400	14		32.0	502352-1410	14							
		30.0	502352-1300	13		30.0	502352-1310	13							
		28.0	502352-1200	12		28.0	502352-1210	12							
		26.0	502352-1100	11		26.0	502352-1110	11							
		24.0	502352-1000	10		24.0	502352-1010	10							
		22.0	502352-0900	9		22.0	502352-0910	9							
		20.0	502352-0800	8		20.0	502352-0810	8							
		18.0	502352-0700	7		18.0	502352-0710	7							
		16.0	502352-0600	6		16.0	502352-0610	6							
E		14.0	502352-0500	5		14.0	502352-0510	5							
		12.0	502352-0400	4		12.0	502352-0410	4							
		10.0	502352-0300	3		10.0	502352-0310	3							
		8.0	502352-0200	2		8.0	502352-0210	2							
		PLATING COLOR	A	EMBOSSED PACKAGE ORDER NO.		CKTS	PLATING COLOR	A			EMBOSSED PACKAGE ORDER NO.	CKTS			
		CONNECTOR SERIES NO. 502352-**08				CONNECTOR SERIES NO. 502352-**18									

D	Sn BLACK			15	Sn RED			15	Sn BLUE			15			
				14				14				14			
				13				13				13			
				12				12				12			
				11				11				11			
				10				10				10			
				9				9				9			
		20.0	502352-0801	8		20.0	502352-0802	8		20.0	502352-0803	8			
		18.0	502352-0701	7				7				7			
		16.0	502352-0601	6		16.0	502352-0602	6		16.0	502352-0603	6			
C		14.0	502352-0501	5		12.0	502352-0402	4		12.0	502352-0403	4			
		12.0	502352-0401	4		10.0	502352-0302	3		10.0	502352-0303	3			
		10.0	502352-0301	3		8.0	502352-0202	2		8.0	502352-0203	2			
		8.0	502352-0201	2		PLATING COLOR	A	EMBOSSED PACKAGE ORDER NO.		CKTS	PLATING COLOR	A	EMBOSSED PACKAGE ORDER NO.	CKTS	
		CONNECTOR SERIES NO. 502352-**28				CONNECTOR SERIES NO. 502352-**48				CONNECTOR SERIES NO. 502352-**68					

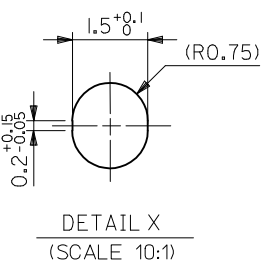
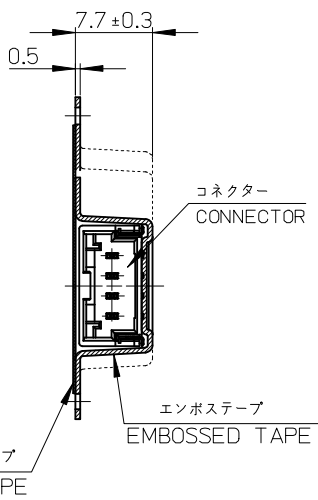
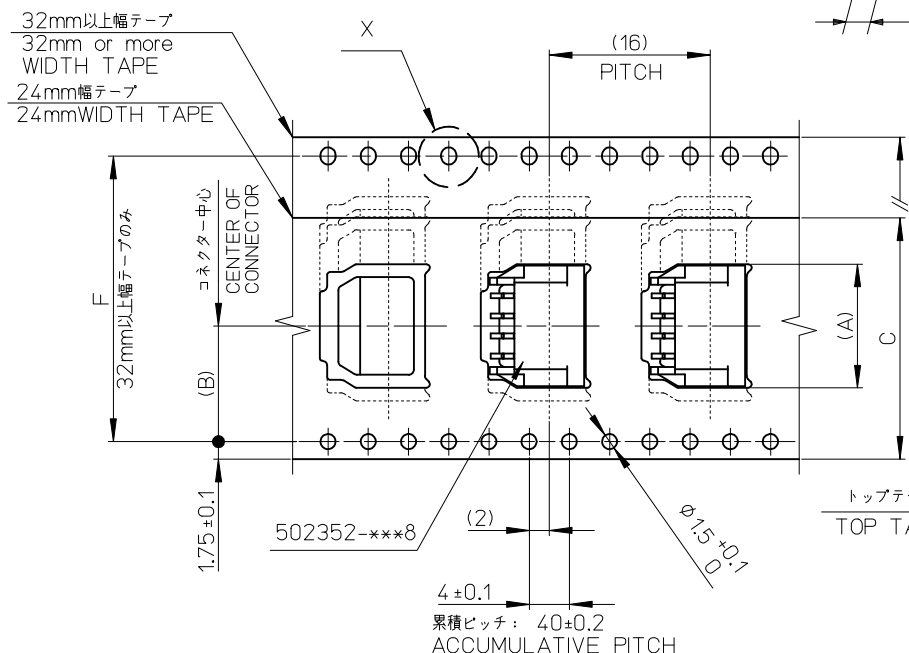
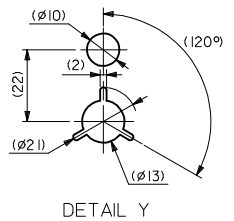
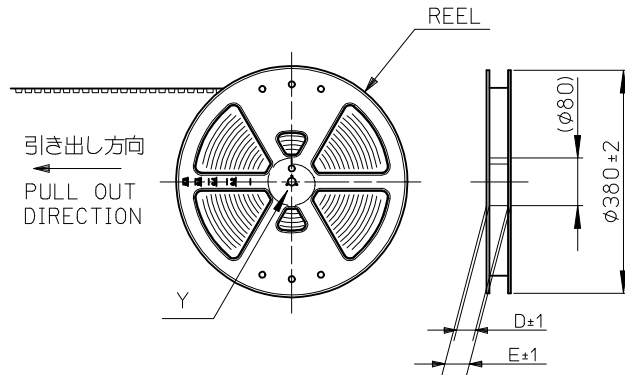
A	REVISED	EC NO: JTR2016-0015	QUALITY SYMBOLS	GENERAL TOLERANCES (UNLESS SPECIFIED)	DIMENSION STYLE MM ONLY	SCALE 5:1	DESIGN UNITS METRIC	THIRD ANGLE PROJECTION	TITLE 2.0MM PITCH W/B CONN. WAFER ASSY R/A SMT				
		DRW:KANAGA 02 2016/03/01								4 PLACES ± --- ± ---	DRAWN BY	DATE	DOCUMENT NO. SD-502352-001
		CHKD:HKOMATSU 2016/03/04								3 PLACES ± --- ± ---	SHSHIBATA	2007/12/18	
		APPR:MIYAMAMOTO 2016/03/08								2 PLACES ± --- ± ---	CHKED BY	DATE	
		REV								1 PLACE ± --- ± ---	HKOMATSU	2007/12/18	
										0 PLACE ± ±	APPROVED BY	DATE	
										ANGULAR ± - °	AKANESHIGE	2007/12/18	
										DRAFT WHERE APPLICABLE MUST REMAIN WITHIN DIMENSIONS	MATERIAL NO.		
											SEE CHART		
											SIZE		
		A3											

注記
NOTES

- 製品番号
 ナチュラル・錫めっき: 502352-**00
 ナチュラル・金めっき: 502352-**10
 黒・錫めっき: 502352-**01
 赤・錫めっき: 502352-**02
 青・錫めっき: 502352-**03
 詳細寸法については、製品単体図面を参照下さい。
 PART NO.
 NATURAL Sn Plating: 502352-**00
 NATURAL Au Plating: 502352-**10
 BLACK Sn Plating: 502352-**01
 RED Sn Plating: 502352-**02
 BLUE Sn Plating: 502352-**03
 SEE SALES DRAWING FOR CONNECTOR
- 梱包数量: 700個/リール
 NUMBER OF CONNECTORS 700PCS/REEL
- リードテープ長さ
 LEAD TAPE LENGHT



- 材料
 MATERIAL
 キャリアテープ: ポリスチレン
 CARRIER TAPE: POLYSTYRENE
 トップテープ: PET, PE, PEF
 TOP TAPE: PET, PE, PEF
 リール: ポリスチレン
 REEL: POLYSTYRENE
- 一般降参
 GENERAL TOLERANCES
 10 UNDER: 0.2
 10 OVER 30 UNDER: 0.25
 30 OVER: 0.3
 ANGULAR: ±1°



引き出し方向
PULL OUT DIRECTION

エンボステープ内の製品の向き
DIRECTION OF CONNECTOR
IN EMBOSSED TAPE

REVISED EC NO: JTR2016-0015 DRWN:KNAGAI02 2016/03/01 CHKD:HKOMATSU 2016/03/04 APPR: MAYAMAMOTO 2016/03/08	DESCRIPTION REV	QUALITY SYMBOLS ▽=0 ▽=1 ▽=2		GENERAL TOLERANCES (UNLESS SPECIFIED)		DIMENSION STYLE MM ONLY		SCALE	DESIGN UNITS METRIC	THIRD ANGLE PROJECTION
		4 PLACES ± --- ± ---	3 PLACES ± --- ± ---	2 PLACES ± --- ± ---	1 PLACE ± --- ± ---	0 PLACE ± --- ± ---	mm	INCH	DRAWN BY SHSHIBATA	DATE 2007/6/6
		ANGULAR ± °		DRAFT WHERE APPLICABLE MUST REMAIN WITHIN DIMENSIONS		SEE CHART		APPROVED BY MAYAMAMOTO		DATE 2012/03/14
				SIZE A3		THIS DRAWING CONTAINS INFORMATION THAT IS PROPRIETARY TO MOLEX INCORPORATED AND SHOULD NOT BE USED WITHOUT WRITTEN PERMISSION		DOCUMENT NO. SD-502352-002		SHEET NO. 1 OF 2

