



PART NAME

PTQ SERIES ENCLOSURE

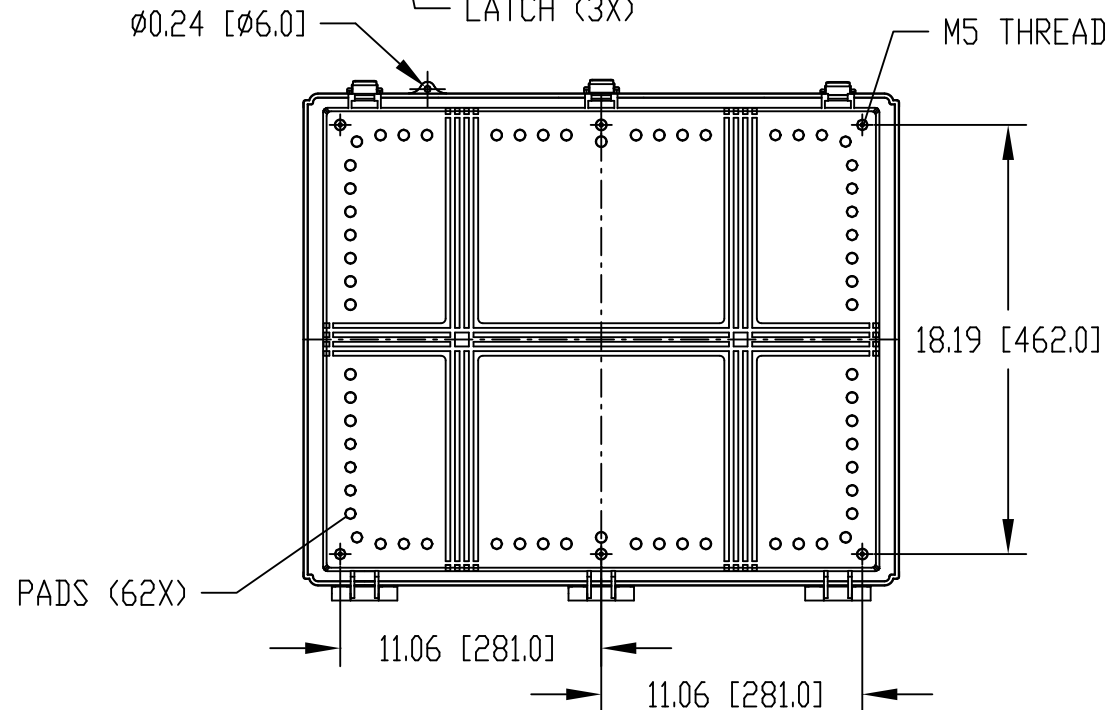
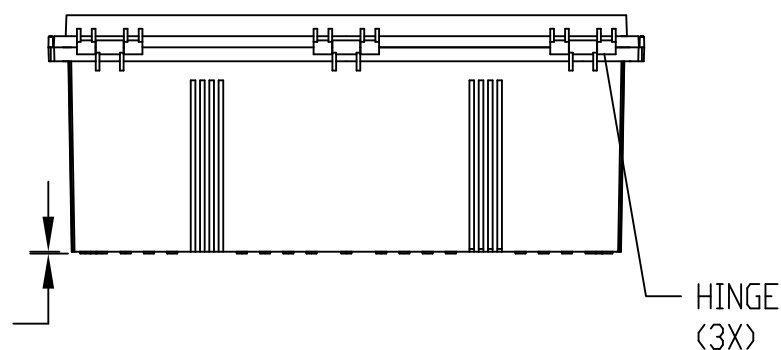
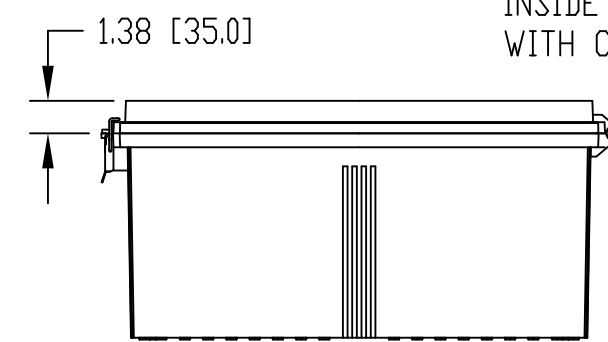
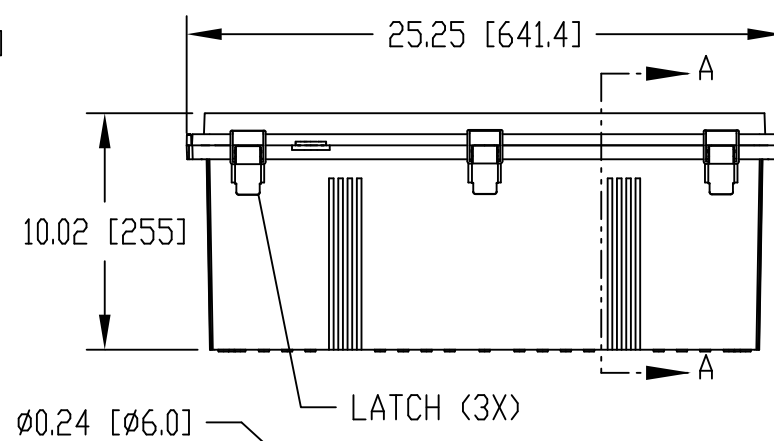
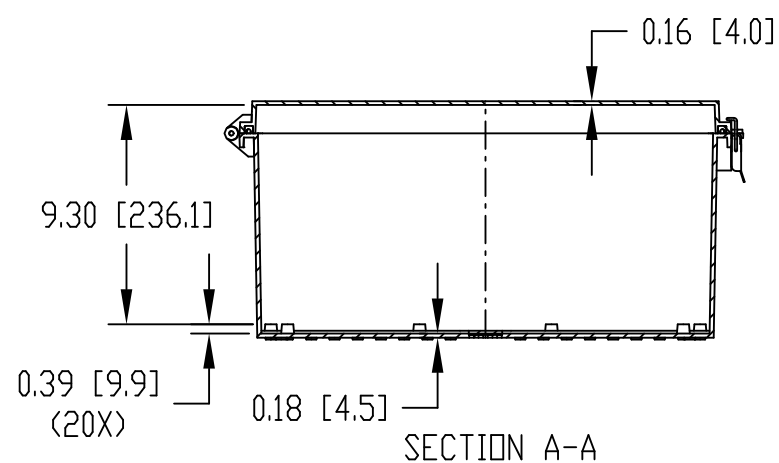
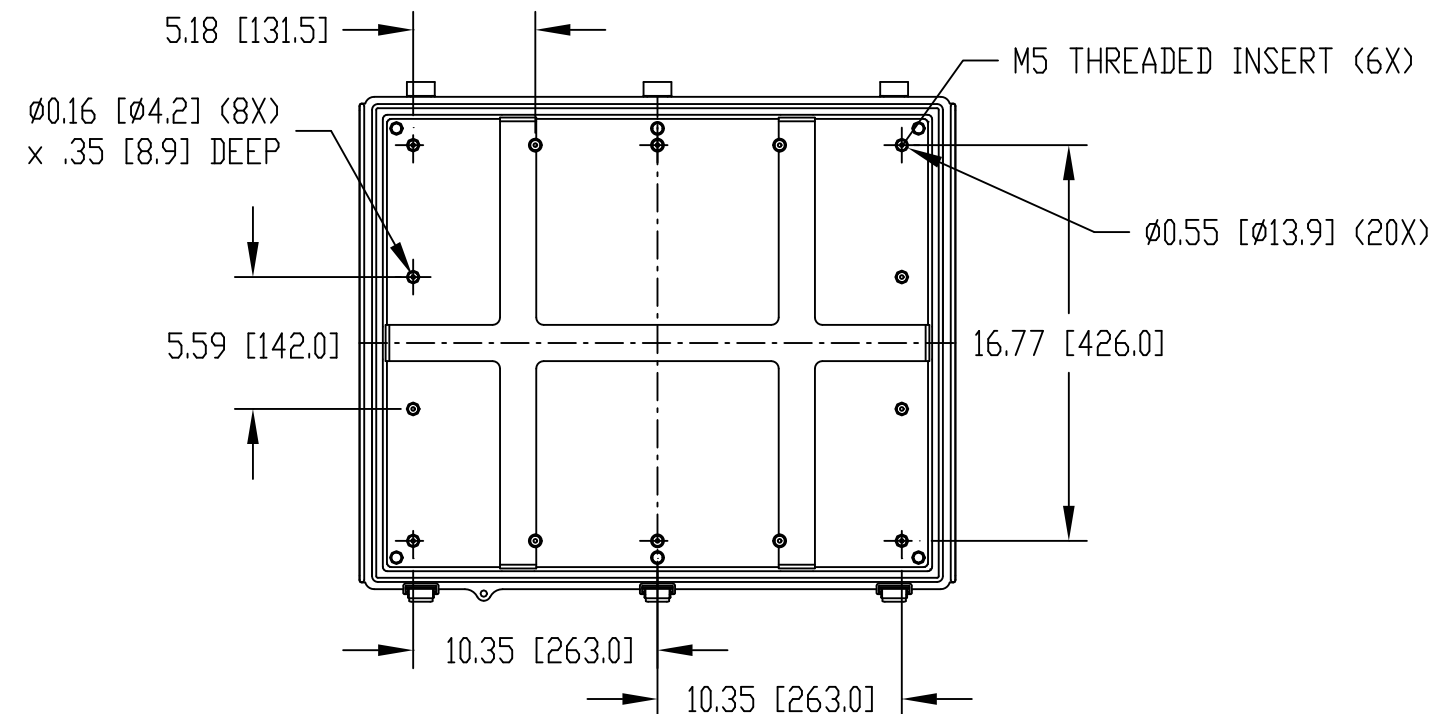
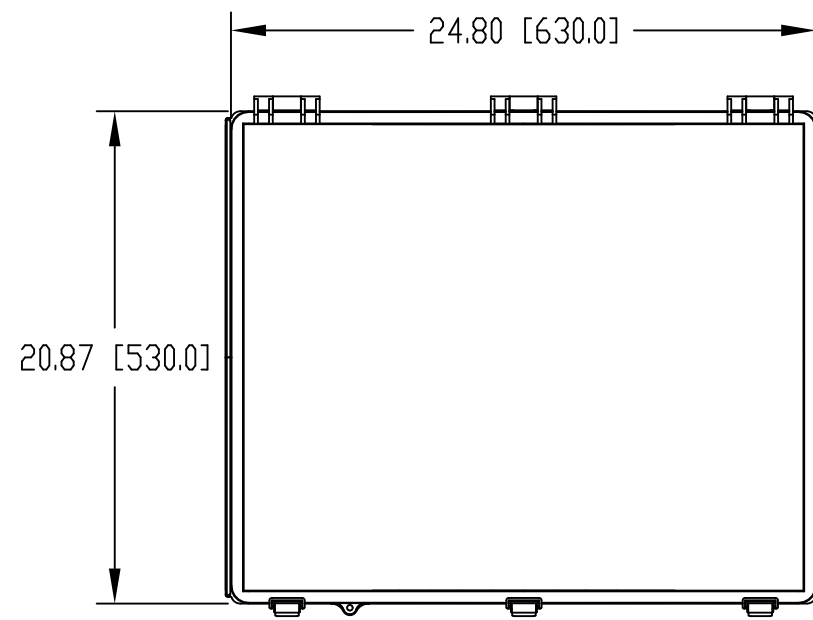
PART No.

PTQ-11080

PTQ-11080-C

REV. DATE

12-2-15



INSIDE VIEW OF BODY WITH COVER REMOVED

MATERIAL:

BODY - POLYCARBONATE RESIN 10% GLASS FIBER FILLED

COVER - POLYCARBONATE

COLOR:

BODY - LIGHT GRAY

COVER - LIGHT GRAY OR CLEAR (SUFFIX -C)

UL508 / NEMA TYPE 4X WITH IP-67 TUV RATING & UL-94V0 RATING

CONTINUOUS GASKET IN COVER

SUPPLIED WITH QTY. (12) M5 x 10mm LG. TRUSS HEAD MACHINE SCREWS

AND QTY. (6) WALL MOUNTING BRACKETS

DIMENSIONS ARE INCH[MM]

DRAWING FOR REFERENCE

OPTIONAL ACCESSORIES:

INTERNAL STEEL PANEL - #PTX-11080

INTERNAL STEEL PANEL - #PTX-11080-P

MOUNTING BRACKET KIT (STAINLESS STEEL) - NBX-10922