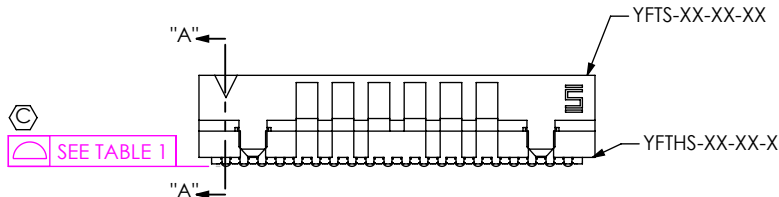
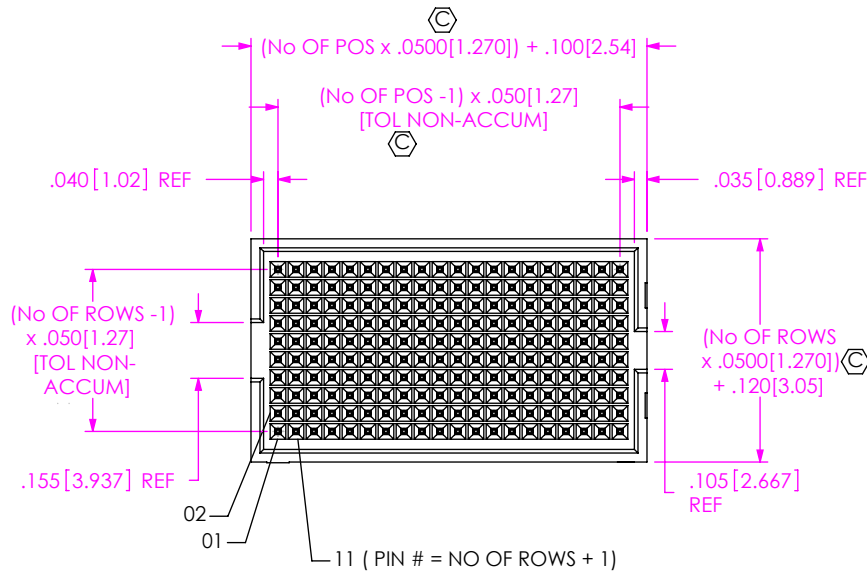


DO NOT SCALE FROM THIS PRINT



No OF POS	ROW SPEC	COPLANARITY
-20	-05	.004[.10]
-30	-05	.006[.15]
-20 & -30	-08, -10	.006[.15]
-40	-05, -08, -10	.008[.20]
-50	-05	.008[.20]
-50	-08, -10	.010[.25]

STACK HEIGHT	"A" REF	"B" REF	"C"	"D"	MATED HEIGHT w / YFS
-07	.258[6.55]	.221[5.61]	.228[5.79]	.246[6.25]	.276[7.00]
-09	.335[8.51]	.299[7.59]	.306[7.77]	.324[8.23]	.354[9.00]
-12	.453[11.51]	.417[10.59]	.424[10.77]	.442[11.23]	.472[12.00]
-19	.728[18.49]	.692[17.58]	.699[17.75]	.717 ^{+0.005} _{-.008} [18.21]	.748 ^{+0.13} _{-.20} [19.00]
-25	.964[24.49]	.928[23.57]	.935[23.75]	.953 ^{+0.005} _{-.008} [24.21]	.984[25.00]

STACK HEIGHT	TERMINAL	USE YFTHS	USE YFTM	USE YFTHS
-07	T-1R24-07B-X-1	YFTHS-XX-01-XX	N/A	YFTHS-XX-XX-X
-09	T-1R24-09B-X-1	YFTHS-XX-02-XX	N/A	YFTHS-XX-XX-X
-12	T-1R27-12B-X-1	YFTHS-XX-03-XX	N/A	YFTHS-XX-XX-X
-19	T-1R27-19B-X-1	YFTHS-XX-01-XX	YFTM-XX-19-XX	YFTHS-XX-XX-X
-25	T-1R27-25B-X-1	YFTHS-XX-01-XX	YFTM-XX-25-XX	YFTHS-XX-XX-X

ROW	USE YFTHS	USE YFTM	USE YFTHS
-05	YFTHS-XX-XX-05	YFTM-XX-XX-05	YFTHS-XX-05-X
-08	YFTHS-XX-XX-08	-----	YFTHS-XX-08-X
-10	YFTHS-XX-XX-10	YFTM-XX-XX-10	YFTHS-XX-10-X

YFW-XX-XX-X-XX-XSB-XX

- No OF POSITIONS**
-20 THRU -50
(MULTIPLES OF 10 ONLY)
- MATED STACK HEIGHT w/ YFS**
-07: 7mm
-09: 9mm
-12: 12mm
-19: 19mm (SEE FIG. 2)
-25: 25mm (SEE FIG. 2)
- PLATING SPECIFICATION**
-H: HEAVY GOLD (USE T-1R2X-XXB-H-1)
-E: EXTRA GOLD (USE T-1R2X-XXB-E-1)
- OPTION**
** -K: KAPTON PAD (SEE FIG 3) (AVAILABLE ON -07, -09 & -12 MATED STACKS ONLY)
-TR: TAPE & REEL (STACK HEIGHT -07 & -09: ALL POSITIONS -12: POSITIONS UP TO 40x10 -19 & -25: NOT AVAILABLE)
-P: PICK AND PLACE PAD (SEE FIG 4)
- SOLDER BALLS**
-SB: SOLDER BALLS (USE SDB-030-6337)
* -MSB: MODIFIED SOLDER BALLS- Pb FREE (USE SDB-030-9653)
- ROW SPECIFICATION**
-05: FIVE ROWS
-08: EIGHT ROWS (AVAILABLE ON -07, -09 & -12 MATED STACKS ONLY)
-10: TEN ROWS

** DO NOT DESIGN IN FOR 10-ROW VERSION. ONLY EXISTING CUSTOMERS, AS OF 2/10/06, WILL BE SUPPORTED. -P OPTION SHOULD BE USED FOR 10-ROW VERSION.

* = NOT RELEASE FOR PRODUCTION.

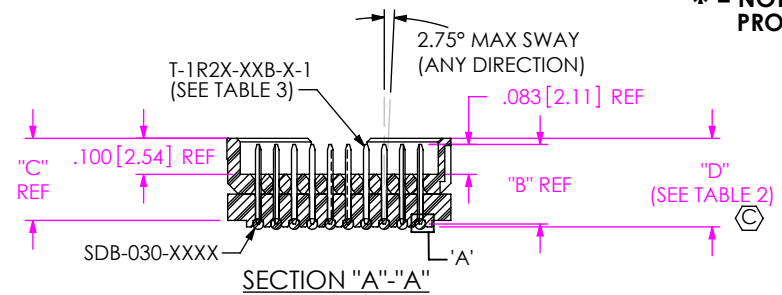
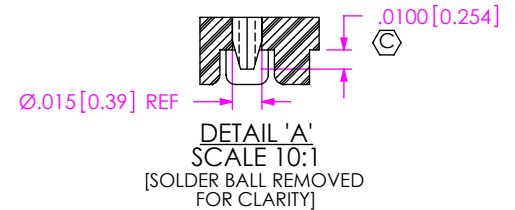
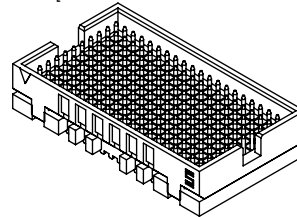


FIG 1
YFW-20-07-X-10-SB SHOWN
[STACK HEIGHT -09 & -12 SIMILAR]



NOTES:

- ⊗ REPRESENTS A CRITICAL DIMENSION.
- MAXIMUM BURR ALLOWANCE: .0015[0.038]
- MINIMUM PUSHOUT FORCE: PRE-PROCESS: 8 OZ, POST-PROCESS: 5 OZ
- MAXIMUM ALLOWABLE BOW; TOP/BOTTOM: .006[0.15], SIDE/SIDE: .003[0.08]
- ALL DIMS TO BE SYMMETRICAL ABOUT CENTERLINE WITHIN ±.002[0.05].
- BODY RETENTION BETWEEN WELDED BODIES TO BE 4 LBS MINIMUM TOTAL.
- MAXIMUM WELD FLASH: .020[0.51]
- H PLATING MAY BE SUBSTITUTED FOR -G PLATING.
- NOTE DELETED.
- TRAY PACKAGING CAN BE SUBSTITUTED FOR TUBES.
- ⊗ 11. .0040 MAX VARIATION BETWEEN SOLDERBALLS.

UNLESS OTHERWISE SPECIFIED, DIMENSIONS ARE IN INCHES.	<p>PROPRIETARY NOTE</p> <p>THIS DOCUMENT CONTAINS CONFIDENTIAL AND PROPRIETARY INFORMATION AND ALL DESIGN, MANUFACTURING, REPRODUCTION, USE, PATENT RIGHTS AND SALES RIGHTS ARE EXPRESSLY RESERVED BY SAMTEC, INC. THIS DOCUMENT SHALL NOT BE DISCLOSED, IN WHOLE OR PART, TO ANY UNAUTHORIZED PERSON OR ENTITY NOR REPRODUCED, TRANSFERRED OR INCORPORATED IN ANY OTHER PROJECT IN ANY MANNER WITHOUT THE EXPRESS WRITTEN CONSENT OF SAMTEC, INC.</p>	<p>520 PARK EAST BLVD, NEW ALBANY, IN 47150 PHONE: 812-944-6733 FAX: 812-948-5047 e-Mail: info@SAMTEC.com code: 55322</p>
TOLERANCES ARE: DECIMALS .XX: ±.01[0.3] .XXX: ±.005[0.13] .XXXX: ±.0020[0.051]	ANGLES 2°	
MATERIAL: DO NOT SCALE DRAWING INSULATOR: LCP, COLOR: BLACK TERMINAL: BRASS SOLDER BALL: 63% TIN/ 37% LEAD	SHEET SCALE: 1.875:1	DESCRIPTION: Flex, Y, Z, .050 CENTERLINE TERMINAL ASSEMBLY DWG. NO. YFW-XX-XX-X-XX-XSB-XX
BY: DEAN P 5/11/2001		SHEET 1 OF 4

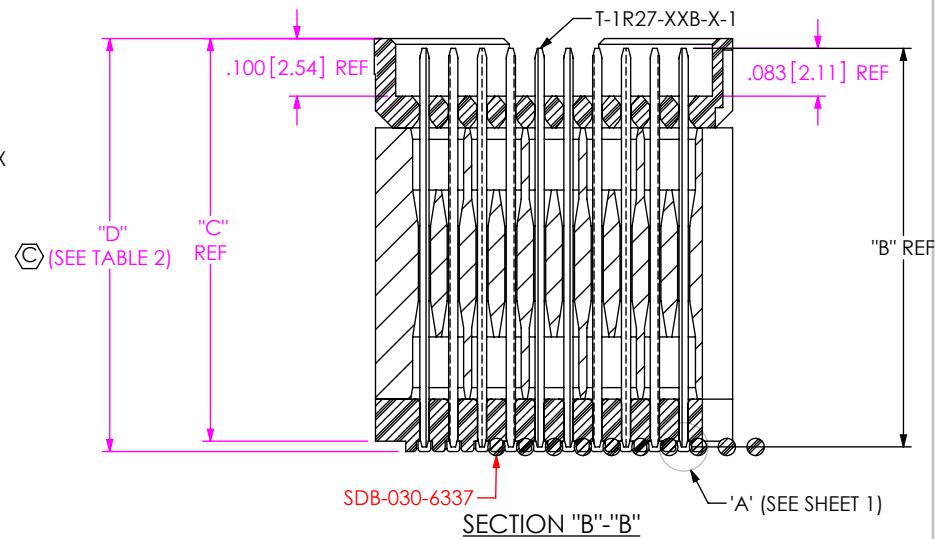
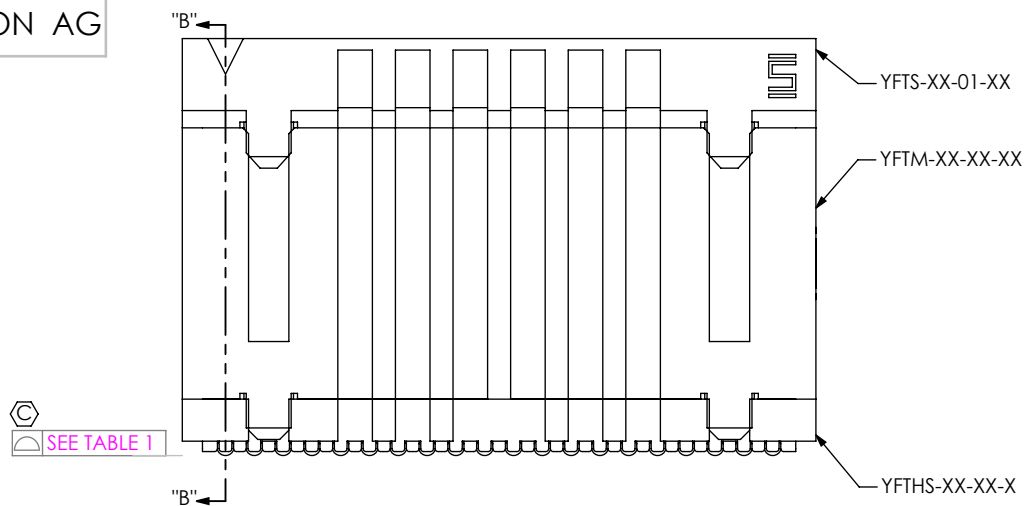


FIG 2
 YFW-20-19-X-10-SB SHOWN
 [STACK HEIGHT -25 SIMILAR]
 (DIFFERENT AS SHOWN, OTHERWISE SAME AS FIG 1)

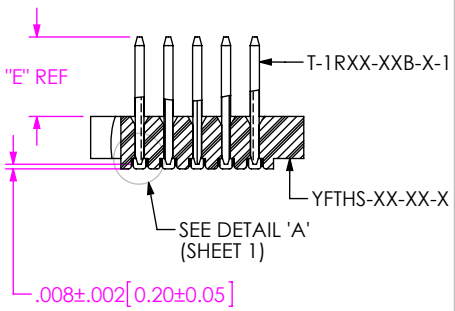
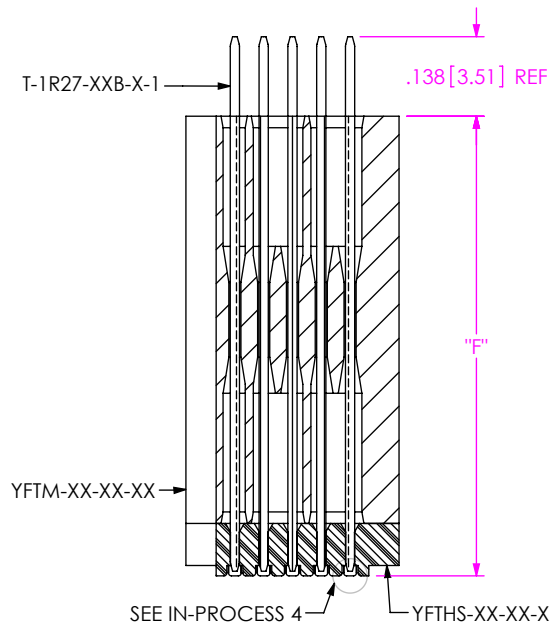
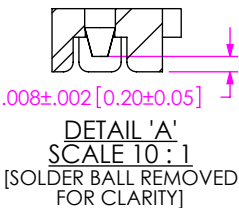


TABLE 5

STACK HEIGHT	"E"
-07	.138[3.51]
-09	.216[5.49]
-12	.334[8.48]

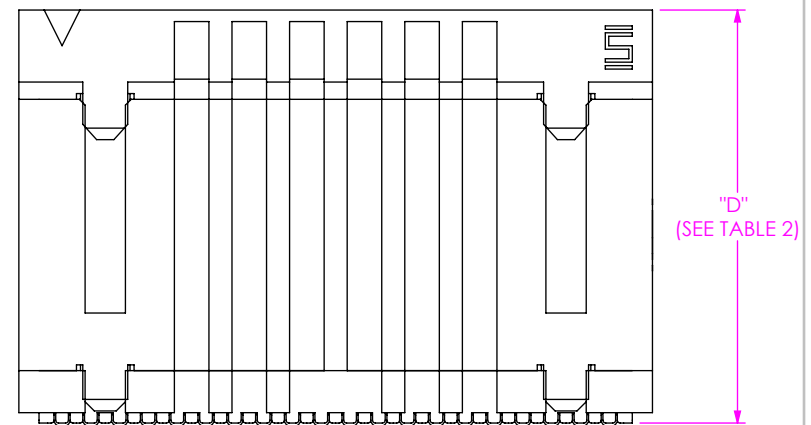
IN-PROCESS 4
 RE-PRESS
 STACK HEIGHT -19 & -25



IN-PROCESS 1 & 2
 STACK HEIGHT -19 & -25

TABLE 6

STACK HEIGHT	"F"
-19	.5620[14.275]
-25	.7980[20.269]



IN-PROCESS 3
 STACK HEIGHT -19 & -25

PROPRIETARY NOTE
 THIS DOCUMENT CONTAINS CONFIDENTIAL AND PROPRIETARY INFORMATION AND ALL DESIGN, MANUFACTURING, REPRODUCTION, USE, PATENT RIGHTS AND SALES RIGHTS ARE EXPRESSLY RESERVED BY SAMTEC, INC. THIS DOCUMENT SHALL NOT BE DISCLOSED, IN WHOLE OR PART, TO ANY UNAUTHORIZED PERSON OR ENTITY NOR REPRODUCED, TRANSFERRED OR INCORPORATED IN ANY OTHER PROJECT IN ANY MANNER WITHOUT THE EXPRESS WRITTEN CONSENT OF SAMTEC, INC.

DO NOT SCALE DRAWING
 SHEET SCALE: 1.875:1



520 PARK EAST BLVD, NEW ALBANY, IN 47150
 PHONE: 812-944-6733 FAX: 812-948-5047
 e-Mail: info@SAMTEC.com code: 55322

DESCRIPTION:
 FleX, Y, Z, .050 CENTERLINE TERMINAL ASSEMBLY

DWG. NO. **YFW-XX-XX-X-XX-XSB-XX**

BY: DEAN P 5/11/2001 SHEET 2 OF 4

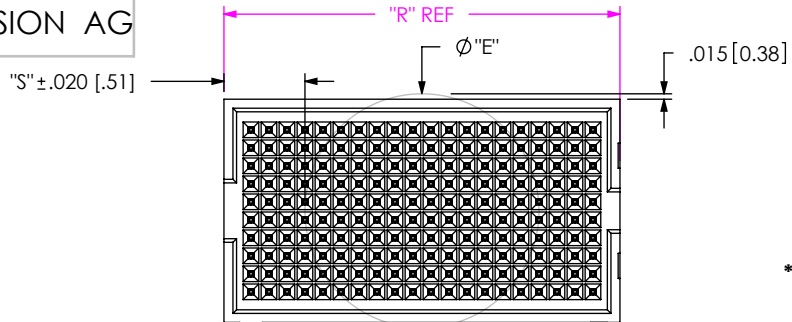
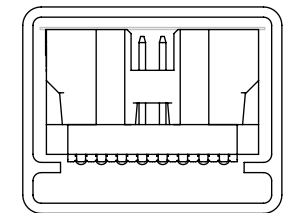


TABLE 7		
ROW OPTION	"E"	KAPTON TAPE
-05	.404 [10.25]	K-DOT-.404-.500-.005
-08	.550 [13.97]	K-850-650
-10**	.650 [16.50]	K-1000-800

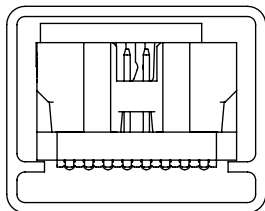
**** DO NOT DESIGN IN FOR 10-ROW VERSION. ONLY EXISTING CUSTOMERS, AS OF 2/10/06, WILL BE SUPPORTED. -P OPTION SHOULD BE USED FOR 10-ROW VERSION.**

"R" = (No OF POSITIONS x .0500[1.270]) + .100[2.54]
 "S" = ("R" - "E" / 2)

FIG 3
 -K: PAD OPTION
 YFW-20-XX-X-10-SB-K SHOWN
 [PAD = .005 THICK]



-08 ROW
 YFW-XX-09-X-08-SB-K SHOWN



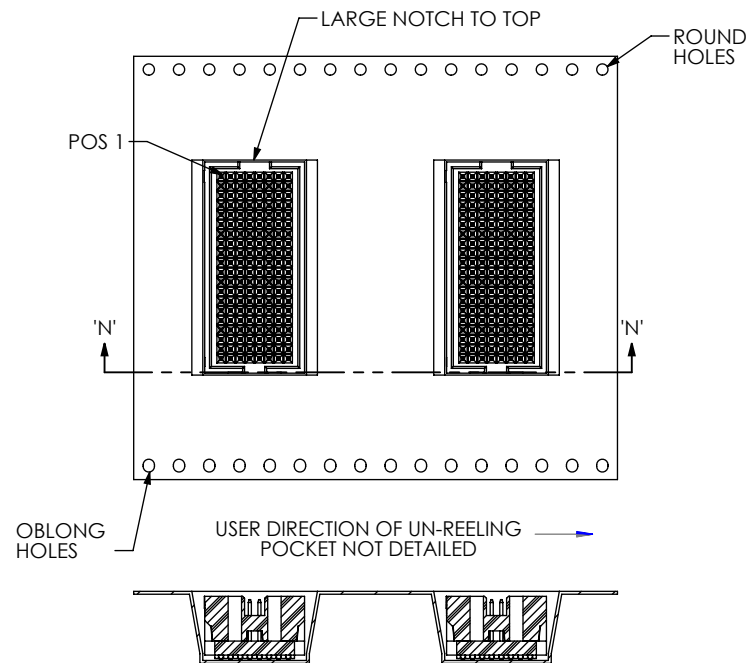
-08 ROW
 YFW-XX-09-X-08-SB-P SHOWN

PACKAGING TUBE

(SEE NOTE 10)

(PARTS TO HAVE POSITION #1 LOADED IN SAME DIRECTION AS ARROW ON TUBE)

PACKAGING TUBES				
ROW	STACK HEIGHT	TUBE W/ NONE, -K	TUBE W/ -P	PLUG
-05	-07	PT-1-24-07F-109	PT-YFW-07F-P	TP-29
-05	-09	PT-1-24-09F-109	PT-YFW-09F-P	TP-29
-05	-12	PT-YFW-12F-P	PT-YFW-12F-P	TP-13
-05	-19	PT-1-24-19F-109	PT-1-24-01-131	TP-13
-05	-25	PT-1-24-25F-109	PT-YFW-25F-P	TP-29
-08	-07	PT-YFW-07E-P	PT-YFW-07E-P	TP-13
-08	-09	PT-1-24-09E-109	PT-YFW-09E-P	TP-29
-08	-12	PT-1-24-12E-109	PT-YFW-12E-P	TP-29
-10	-07	PT-1-24-07T-109	PT-1-24-07T-109	TP-13
-10	-09	PT-1-24-09T-109	PT-YFW-09T-P	TP-13
-10	-12	PT-1-24-12T-109	PT-YFW-12T-P	TP-28
-10	-19	PT-1-24-19T-109	PT-YFW-19T-P	TP-26
-10	-25	PT-1-24-25T-109	PT-YFW-25T-P	TP-28



SECTION 'N'-'N'
 SCALE 1 : 1

TAPE AND REEL VIEW

C:\EnterpriseVault\DWG\MISC\MKTG\YFW-XX-XX-X-XX-XSB-XX-MKT.SLDDRW

<p>PROPRIETARY NOTE THIS DOCUMENT CONTAINS CONFIDENTIAL AND PROPRIETARY INFORMATION AND ALL DESIGN, MANUFACTURING, REPRODUCTION, USE, PATENT RIGHTS AND SALES RIGHTS ARE EXPRESSLY RESERVED BY SAMTEC, INC. THIS DOCUMENT SHALL NOT BE DISCLOSED, IN WHOLE OR PART, TO ANY UNAUTHORIZED PERSON OR ENTITY NOR REPRODUCED, TRANSFERRED OR INCORPORATED IN ANY OTHER PROJECT IN ANY MANNER WITHOUT THE EXPRESS WRITTEN CONSENT OF SAMTEC, INC.</p> <p>DO NOT SCALE DRAWING</p> <p>SHEET SCALE: 1.875:1</p>	<p>520 PARK EAST BLVD, NEW ALBANY, IN 47150 PHONE: 812-944-6733 FAX: 812-948-5047 e-Mail: info@SAMTEC.com code: 55322</p>
	<p>DESCRIPTION: Flex, Y, Z, .050 CENTERLINE TERMINAL ASSEMBLY</p>
	<p>DWG. NO. YFW-XX-XX-X-XX-XSB-XX</p>
	<p>BY: DEAN P 5/11/2001 SHEET 3 OF 4</p>

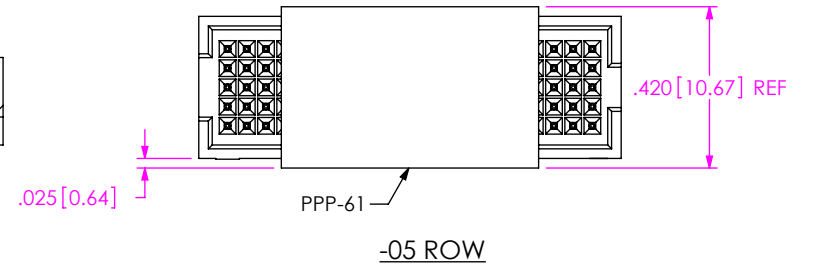
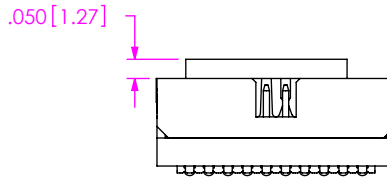
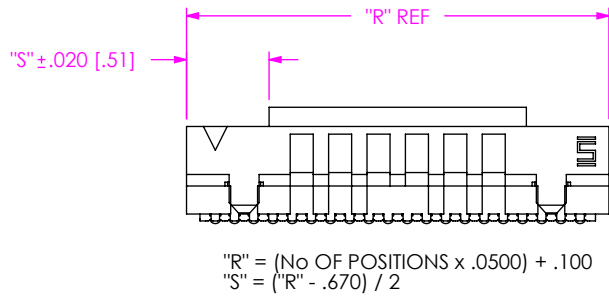
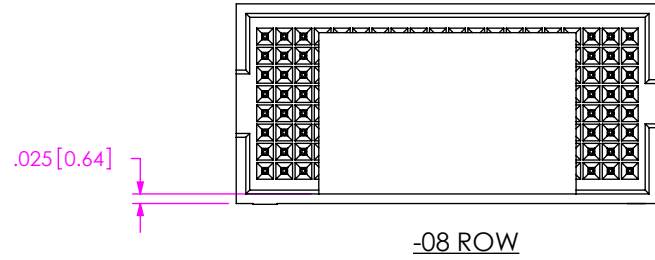
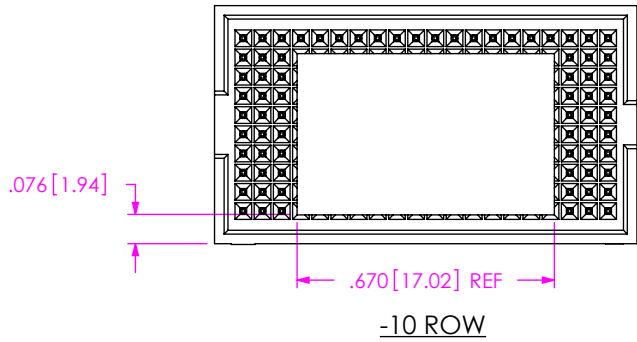


FIG 4

-P: PICK AND PLACE OPTION

PROPRIETARY NOTE

THIS DOCUMENT CONTAINS CONFIDENTIAL AND PROPRIETARY INFORMATION AND ALL DESIGN, MANUFACTURING, REPRODUCTION, USE, PATENT RIGHTS AND SALES RIGHTS ARE EXPRESSLY RESERVED BY SAMTEC, INC. THIS DOCUMENT SHALL NOT BE DISCLOSED, IN WHOLE OR PART, TO ANY UNAUTHORIZED PERSON OR ENTITY NOR REPRODUCED, TRANSFERRED OR INCORPORATED IN ANY OTHER PROJECT IN ANY MANNER WITHOUT THE EXPRESS WRITTEN CONSENT OF SAMTEC, INC.

DO NOT SCALE DRAWING

SHEET SCALE: 2:1



520 PARK EAST BLVD, NEW ALBANY, IN 47150
 PHONE: 812-944-6733 FAX: 812-948-5047
 e-Mail: info@SAMTEC.com code: 55322

DESCRIPTION:
 FleX, Y, Z, .050 CENTERLINE TERMINAL ASSEMBLY

DWG. NO.
YFW-XX-XX-X-XX-XSB-XX

BY: DEAN P 5/11/2001 SHEET 4 OF 4