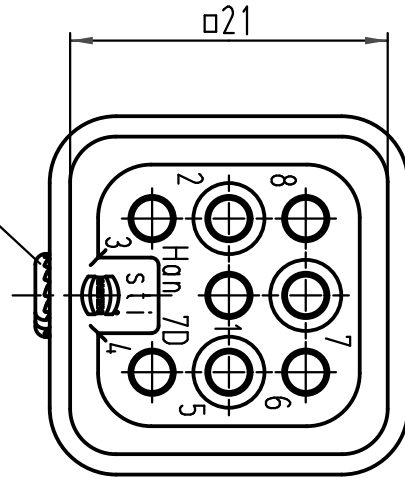


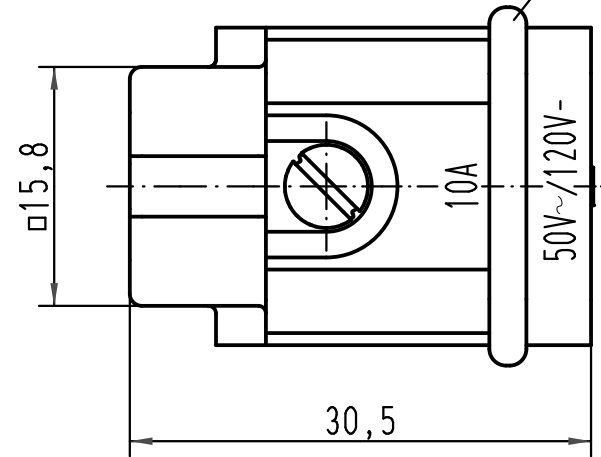
1 2 3 4 5 6

A

Befestigungsschraube  
lose beigelegt  
*insert fixing screw  
seperated enclosed*

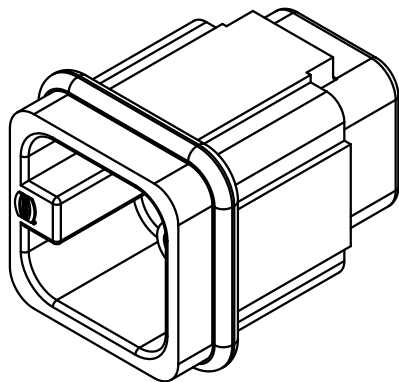


Dichtung  
*seal*



B

C



D

|   |      |                   |                                |      |   |  |
|---|------|-------------------|--------------------------------|------|---|--|
| All Dimensions in mm<br>Original Size DIN A 4 |      | Techn. Character. |                                |      | Nicht tolerierte Maße/ Free size tolerances |  |
|   |      |                   | Dat.                           | Name | Maßstab/ Scale<br><br>2:1                   | Han 7D-M<br>Stiftträger<br>male insert                         |
|   |      | Detail.           | 30.01.09                       | Bor  |   |  |
|   |      | Insp.             |                                | Sch  |   |  |
|   |      | Stand.            |                                |      |   |  |
| A   |      |                   | HARTING Electric GmbH & Co. KG |      |   | <b>TB 09 21 007 3001</b><br>Sub. TB 09 21 007 3001 v. 08.06.01 |
| Mod.  | Dat. | Name              | D-32339 Espelkamp              |      |   |  |
|   |      |                   |                                |      |   | Blatt/ page  |