

# Customer Information Sheet

DRAWING No.: M80-413XX98

SHEET 2 OF 2

IF IN DOUBT - ASK

©

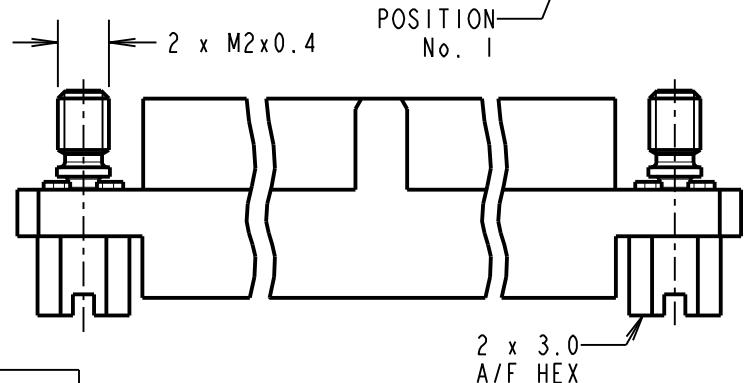
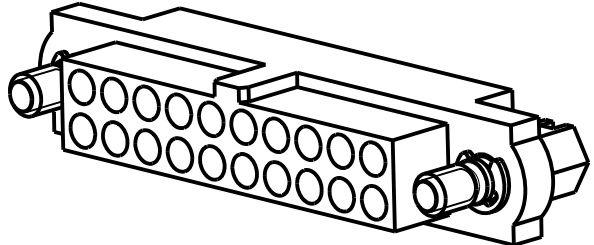
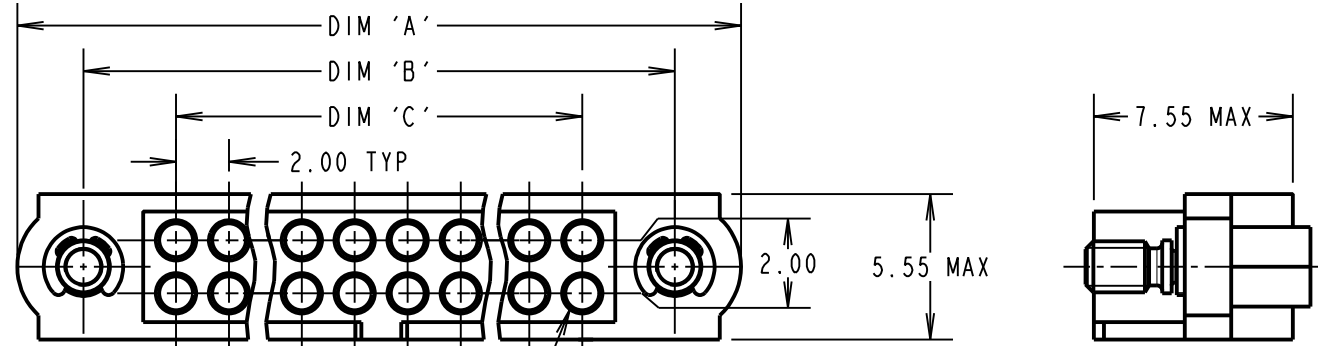
NOT TO SCALE

THIRD ANGLE PROJECTION

ALL DIMENSIONS IN mm

**SPECIFICATIONS:**

**MATERIAL:**  
 MOULDING = GLASS-FILLED PPS, UL94V-0, BLACK  
**ENVIRONMENTAL:**  
 TEMPERATURE RANGE = -55°C TO +125°C  
**PACKING:**  
 BAG  
 FOR COMPLETE SPECIFICATION, SEE COMPONENT SPECIFICATION C005XX (LATEST ISSUE)



ORDER CODE:  
**M80-413XX98**  
 TOTAL No. OF POSITIONS \_\_\_\_\_  
 04 TO 50  
 (EVEN NUMBERS ONLY)

DIMENSION	CACULATION
DIM 'A'	TOTAL No. OF POSITIONS + 10
DIM 'B'	TOTAL No. OF POSITIONS + 5
DIM 'C'	TOTAL No. OF POSITIONS - 2
EXAMPLE: M80-4132098, HOUSING WITH 20 POSITIONS AND FIXINGS	
DIM 'A' = 30.00mm, DIM 'B' = 25.00mm DIM 'C' = 18.00mm	

**NOTES:**  
 1. HOUSING TO BE USED WITH M80-2060005 CONTACTS  
 2. FOR ASSEMBLY INSTRUCTIONS, SEE IS-25.

MSP	1	10.04.17	-----
NAME	ISS.	DATE	C/NOTE
APPROVED:		M.PERREN	
CHECKED:		S.FLOWER	
DRAWN:		M.PERREN	
CUSTOMER REF.:			
ASSEMBLY DRG:			



www.harwin.com  
 technical@harwin.com

THIS DRAWING AND ANY INFORMATION OR DESCRIPTIVE MATTER SET OUT HEREON ARE CONFIDENTIAL AND COPYRIGHT PROPERTY OF THE HARWIN GROUP AND MUST NOT BE DISCLOSED, LOANED, COPIED OR USED FOR MANUFACTURING, TENDERING OR FOR ANY OTHER PURPOSE WITHOUT THEIR WRITTEN PERMISSION.

**TOLERANCES**  
 X. = ±1mm  
 X.X = ±0.50mm  
 X.XX = ±0.10mm  
 X.XXX = ±0.01mm  
 ANGLES = ±5°  
 UNLESS STATED

**MATERIAL:**  
 SEE ABOVE  
**FINISH:** SEE ABOVE  
**S/AREA:** mm<sup>2</sup>

**TITLE:** FEMALE T-CONTACT J-TEK CRIMP HOUSING WITH HEX SLOT JACKSCREW  
**DRAWING NUMBER:** M80-413XX98  
 SHT 2 OF 2