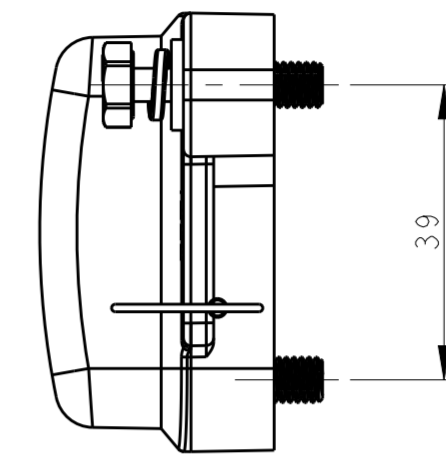
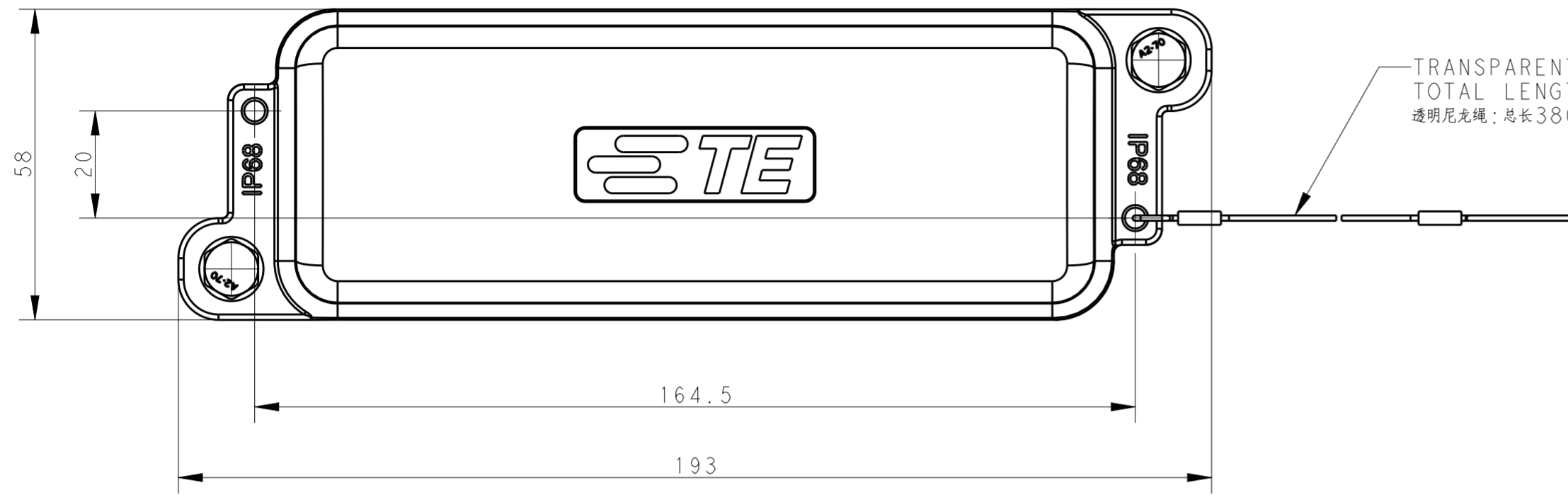


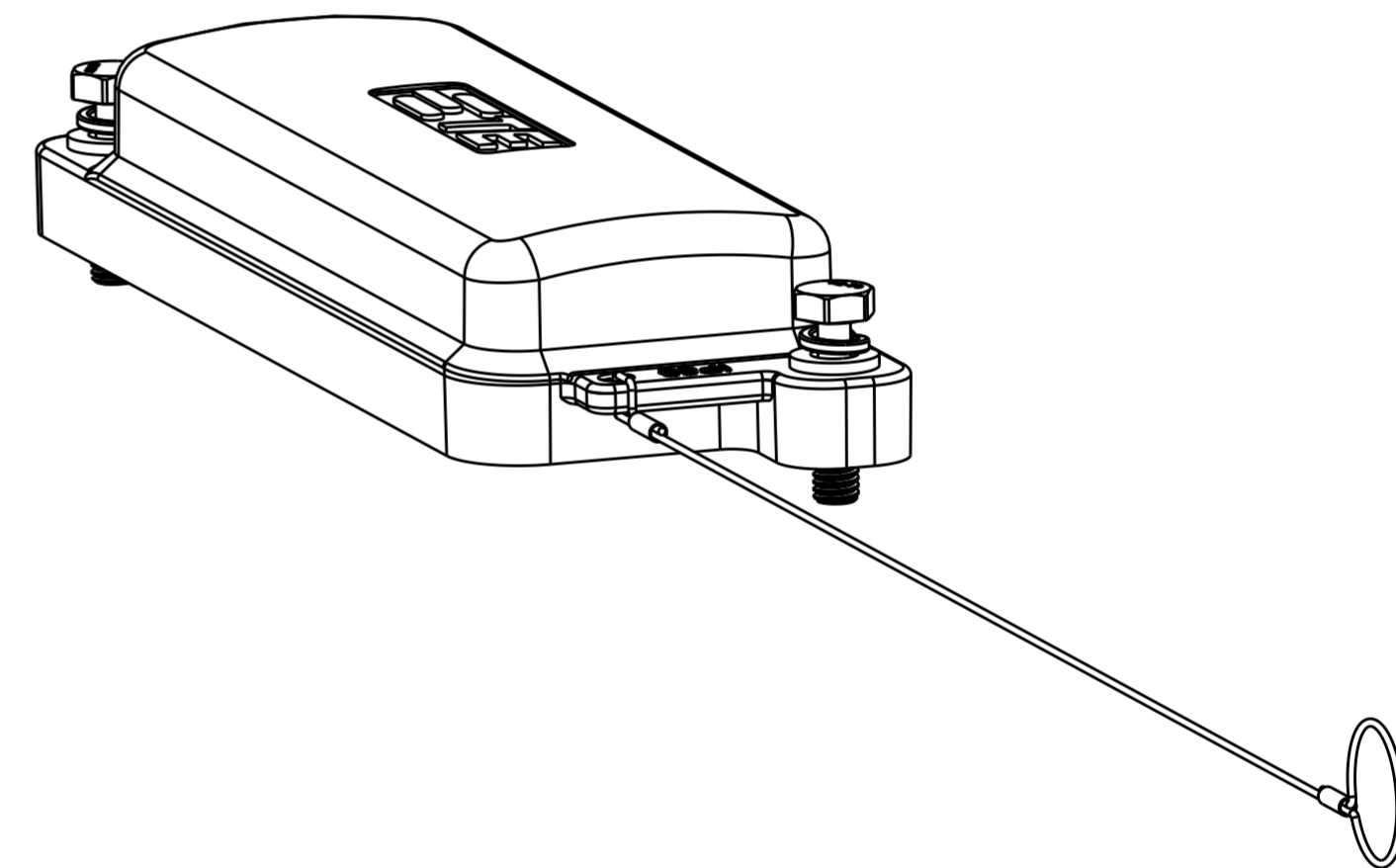
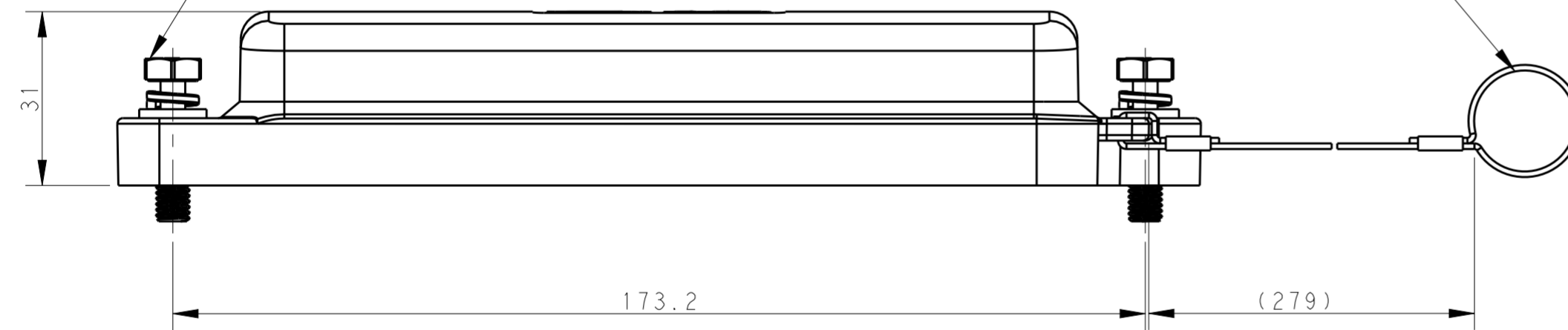
THIS DRAWING IS UNPUBLISHED. RELEASED FOR PUBLICATION 20  
 © COPYRIGHT 20 BY - ALL RIGHTS RESERVED.

REVISIONS				
P	LTR	DESCRIPTION	DATE	APVD
A		INITIAL RELEASE	22OCT2016	DW CW
A1		ECR-17-008404	10JUN2017	CH CW



LOOP SIZE DEFAULT VALUE DIA.  $\phi$ 18,  
 UNLESS HAVE SPECIAL REQUIREMENT.  
 套圈大小默认值直径是 $\phi$ 18, 除非有特别要求.

2XM6 SCREW, RECOMMENDED TIGHTENING TORQUE 4.0Nm  
 2XM6 螺丝, 推荐锁紧扭矩4.0Nm



NOTES:  
 1. TECHNICAL CHARACTERISTICS:  
 COVER MATERIAL: DIE CAST ALUMINIUM ALLOY  
 SURFACE TREATMENT: SEE TABLE

注释  
 1. 技术参数:  
 壳体材料: 铝合金  
 表面处理: 见表格

T1990240000-009	H24BPR-KDBM-EMC-C	H24BPR HOUSING METAL PROTECTION COVER, DIAGONAL LOCKING, NYLON ROPE, PASSIVATION+POWDER COATED, BLACK / H24BPR对角锁定金属保护盖, 尼龙绳, 钝化+黑色粉末喷涂
PART NUMBER 料号	PART DESCRIPTION 描述	

THIS DRAWING IS A CONTROLLED DOCUMENT.		DWN DAVID.WANG 22OCT2016	TE Connectivity	
		CHK CHRIS.WANG 22OCT2016		
		APVD XIANG.XU 22OCT2016	NAME H24BPR-KDBM-EMC-C	
DIMENSIONS: mm		TOLERANCES UNLESS OTHERWISE SPECIFIED:	PRODUCT SPEC	
		0 PLC $\pm$	-	
		1 PLC $\pm$	-	
		2 PLC $\pm$	-	
		3 PLC $\pm$	-	
		4 PLC $\pm$	-	
		ANGLES $\pm$	-	
		FINISH	-	
MATERIAL		WEIGHT	-	
		Customer Drawing	SIZE A2	RESTRICTED TO
			CAGE CODE -	DRAWING NO. T1990240000009
			SCALE 1:1	SHEET 1 OF 1 REV A1