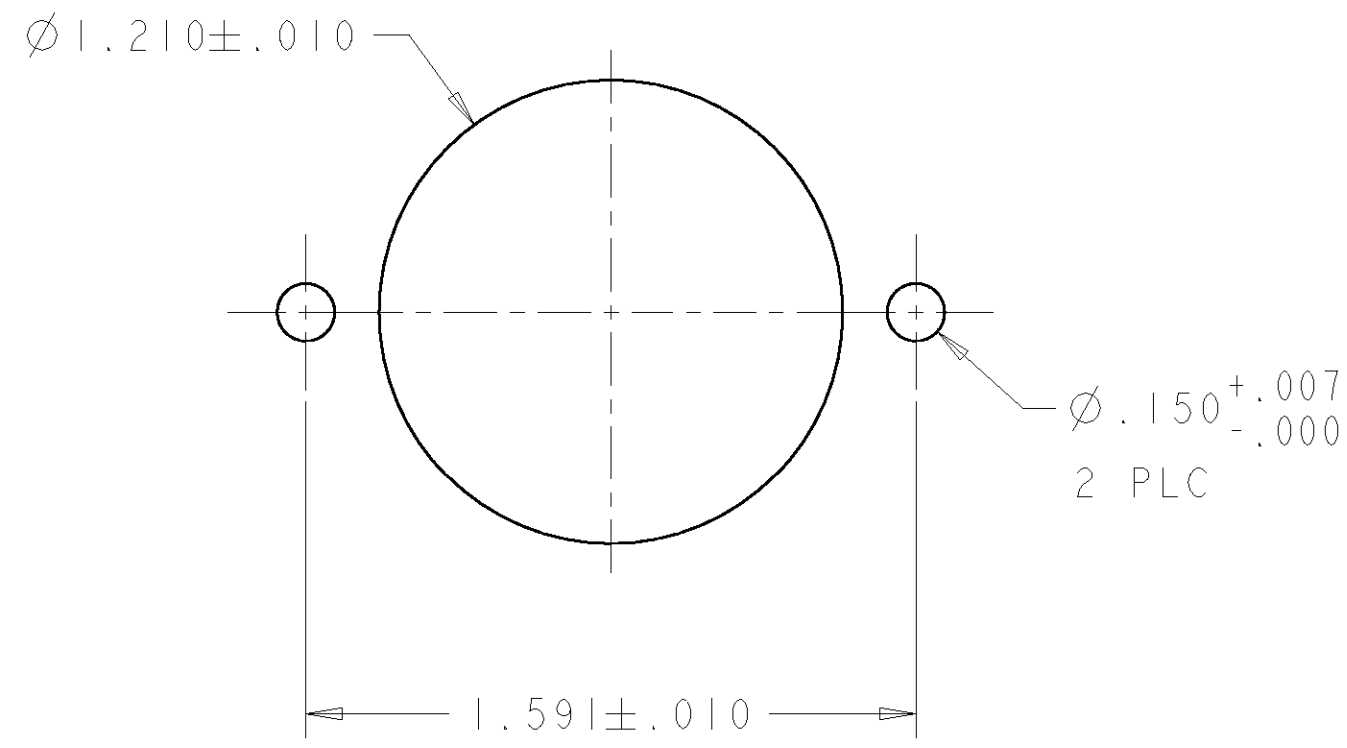
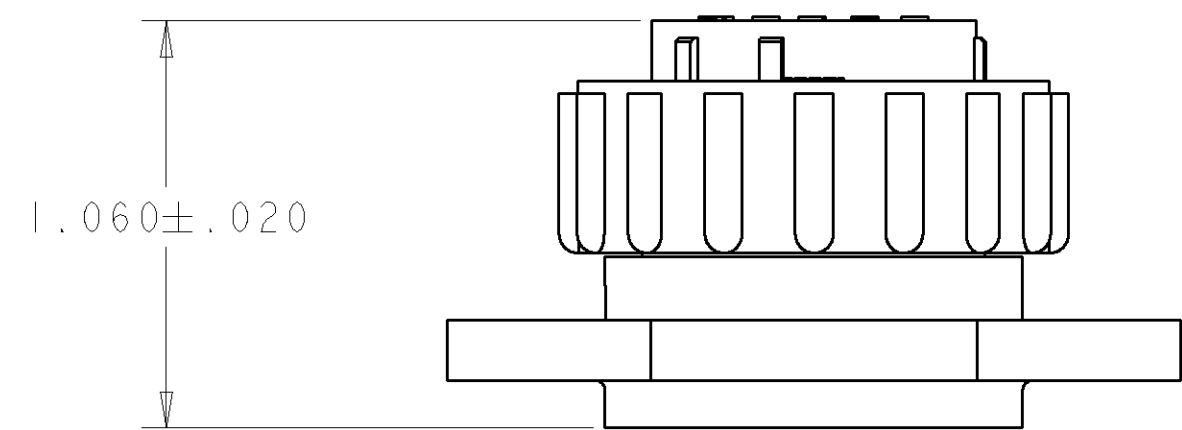
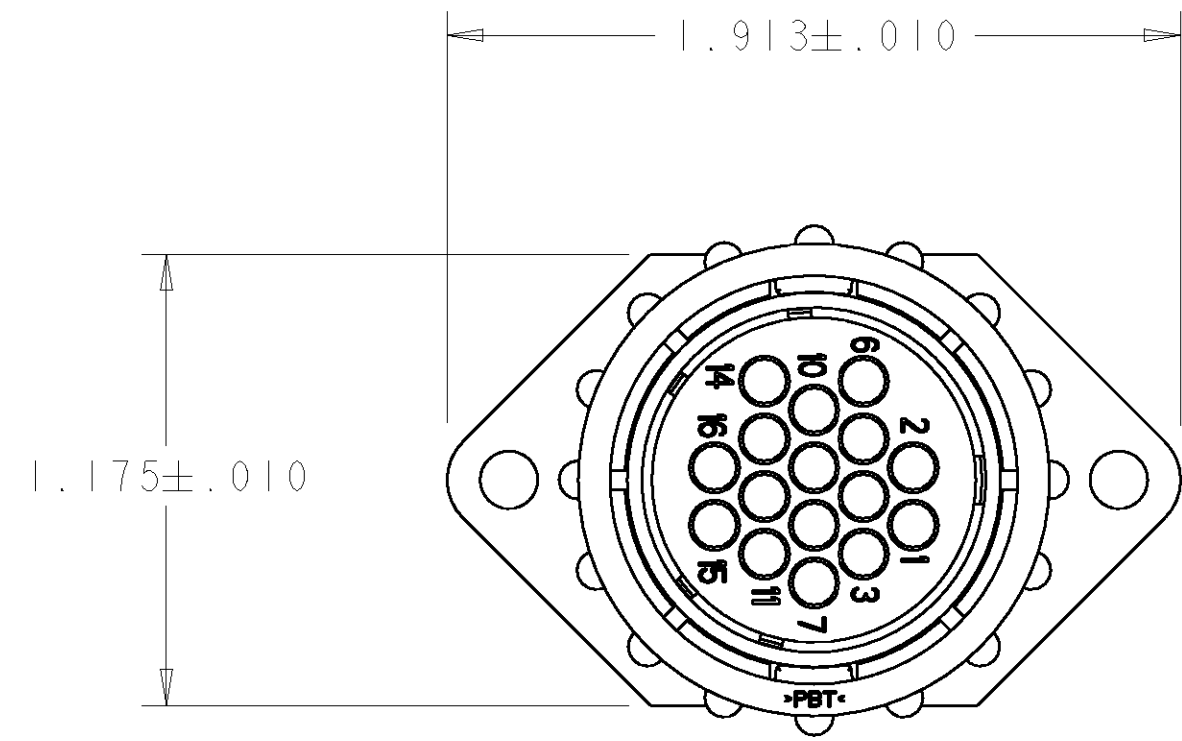
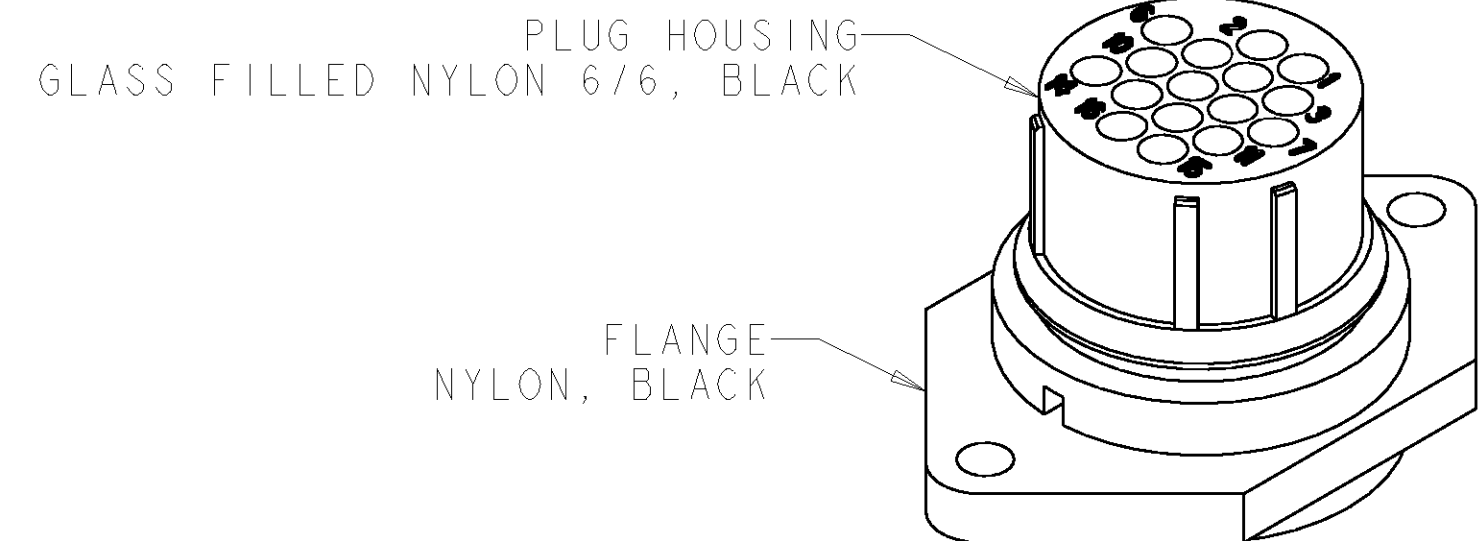
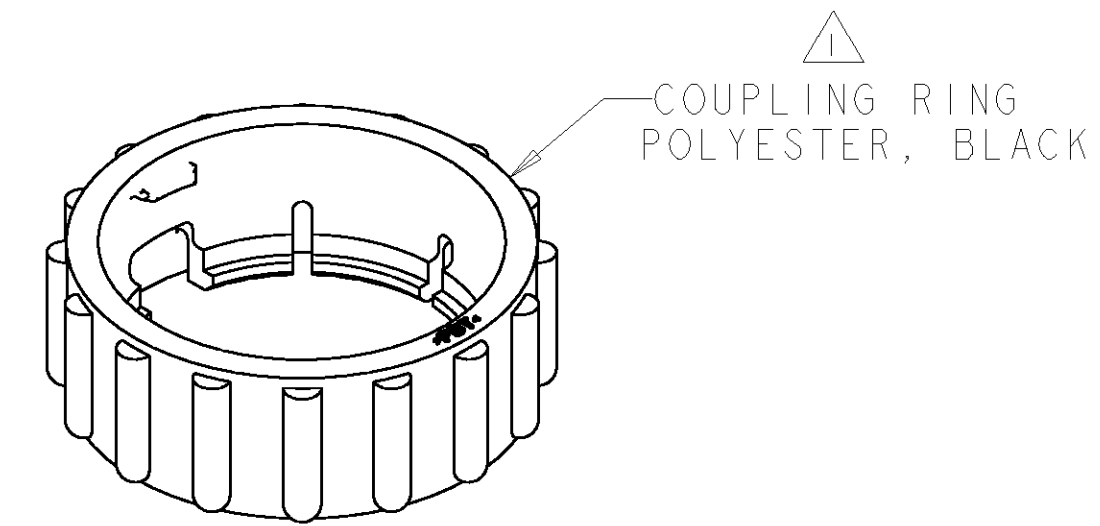


THIS DRAWING IS UNPUBLISHED. RELEASED FOR PUBLICATION 20  
 © COPYRIGHT 20 BY TYCO ELECTRONICS CORPORATION. ALL RIGHTS RESERVED.

LOC	DIST	REVISIONS			
P	LTR	DESCRIPTION	DATE	DWN	APVD
FT	0				
	E	REVISED EC 0G3B-0022-03	22JAN2003	SW	SH



RECOMMENDED PANEL CUTOUT



- 1. COUPLING RING SUPPLIED LOOSE PIECE, ONE PER ASSEMBLY.
- 2. POSITION 1 TO BE LOCATED AS SHOWN WHEN PLUG ASSEMBLY IS ASSEMBLED USING A DISCRETE FLANGE HOUSING.
- 3. POSITION 1 TO BE MARKED WITH A WHITE DOT WHEN ASSEMBLY IS PRODUCED USING A NONDISCRETE TWO-PIECE FLANGE HOUSING ASSEMBLY.

ASSEMBLED	1546305-2
	1546305-1
COUPLING RING	PART NUMBER

<small>THIS DRAWING IS A CONTROLLED DOCUMENT FOR TYCO ELECTRONICS CORPORATION. IT IS SUBJECT TO CHANGE AND THE CONTROLLING ENGINEERING ORGANIZATION SHOULD BE CONTACTED FOR THE LATEST REVISION.</small>		DWN S. WELDON 13MAY2002 CHK S. HEADER 13MAY2002 APVD S. HEADER 13MAY2002	<b>AMP</b> Tyco Electronics Harrisburg, PA 17105-3608
DIMENSIONS: INCHES	TOLERANCES UNLESS OTHERWISE SPECIFIED: 0 PLC ± 1 PLC ±0.0 2 PLC ±0.00 3 PLC ±0.000 4 PLC ±0.0000 ANGLES ± FINISH	PRODUCT SPEC APPLICATION SPEC WEIGHT CUSTOMER DRAWING	NAME PLUG ASSEMBLY, SIZE 17, W/ FLANGE, STANDARD SEX, CPC
MATERIAL: -		SIZE: A2 CAGE CODE: 00779 DRAWING NO: 1546305	RESTRICTED TO: -
AMP 1471-9 REV 31MAR2000		SCALE: 2:1 SHEET: 1 OF 1 REV: E	