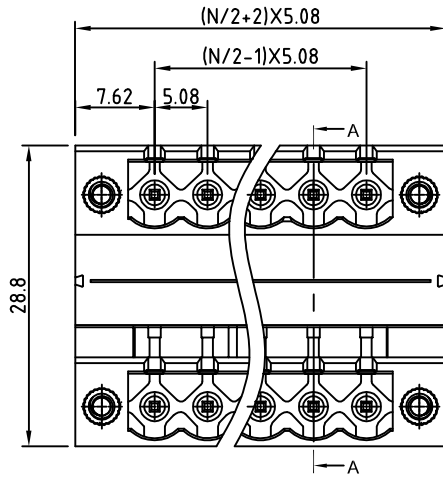
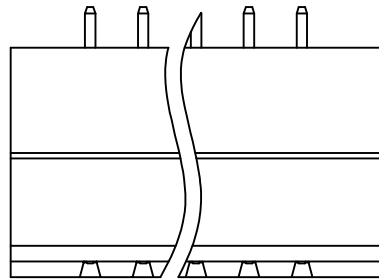
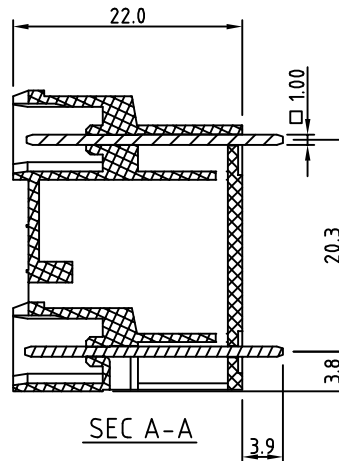


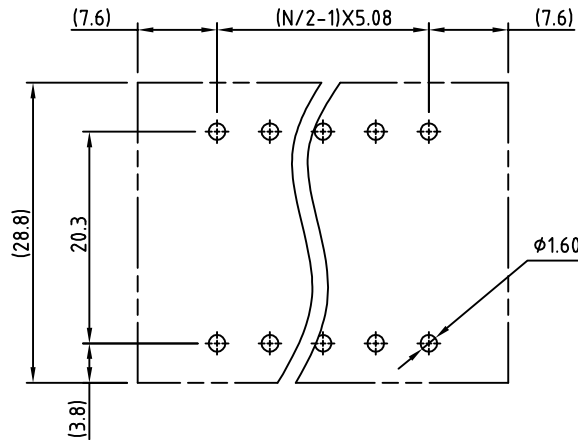
SIGN	DATE	DESCRIPTION	APPROVER
		THIS IS CAD DRAWING, DO NOT REVISE MANUALLY!!!	



N=NUMBER OF POLES



P.C.B LAYOUT



Material

- Terminal body (Contact pin): Brass Whit Tin plated
- Flange screw nut: Brass M2.5
- Insulator (housing): Thermoplastic (UL94V-0)

Electrical cULus

- Voltage rating: 300VAC
- Current rating: 20A
- Withstanding Voltage: 1.6KV
- Operating temperature: -30°C to +105°C
- Soldering temperature: 250°C±10°C/5 Sec
- Safety Approval: cULus

RoHS Compliant

PART NUMBER:

OSTVLXX5250

- | | |
|----------------|---------------------|
| No. of Poles | COLOR |
| 04: 2x02 Poles | 0: Black |
| 06: 2x03 Poles | 5: Green (Standard) |
| : : | 6: Blue |
| 48 2x24 Poles | 8: Gray |

THESE DRAWINGS AND SPECIFICATIONS ARE THE PROPERTY OF ON-SHORE TECHNOLOGY, INC. AND SHALL NOT BE REPRODUCED, COPIED OR USED IN ANY MANNER WITHOUT THE PRIOR WRITTEN CONSENT OF ON-SHORE TECHNOLOGY, INC.



TITLE		OSTVL-5.08mm Series With Flange vertical 2x2p-2x24p						
PART NO.		OSTVLXX5250		DWG NO.		OSTVLXX5250.DWG		
APPROVED	CHECKED	DESIGNED	DRAWN	CUST NO.		Tolerance		
Shi Jun 2006.10.23	Marvin 2006.10.23	Marvin 2006.10.23	Marvin 2006.10.23			UNIT: mm		
						SCALE: NONE		X.X
				SHEET: 01/01		REV: D	X.XX	±0.10
							X°	±1°