

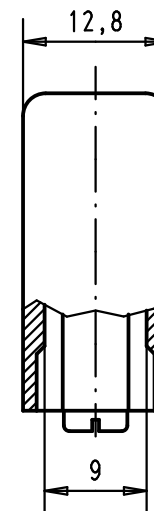
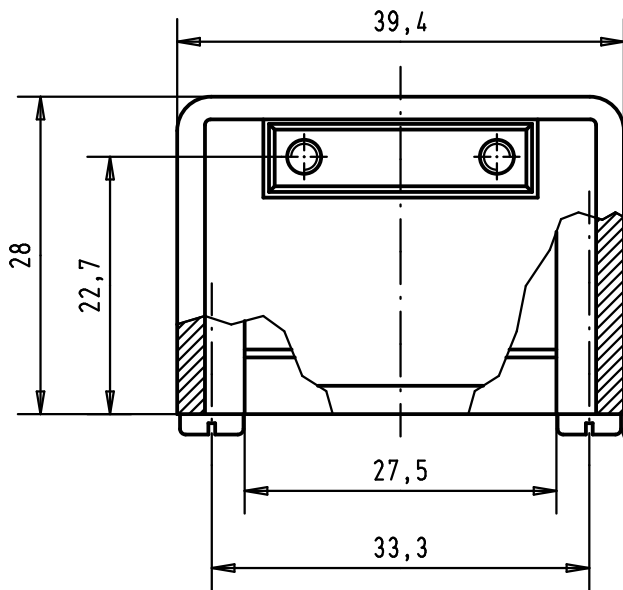
5

4

3

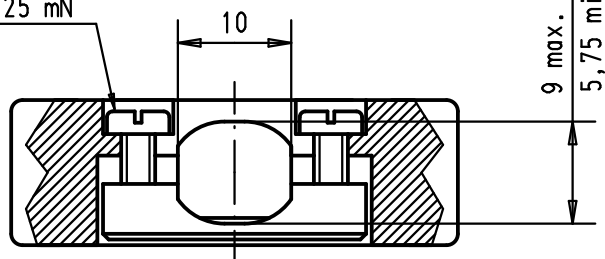
2



1



Slotted pan head tapping screws
DIN 7971-ST 2,9x6,5-F
screwing torque=35Ncm +/-5Ncm

Slotted pan head tapping screws
DIN 7971-ST 2,2x9,5-F
Maximum screwing torque=0,25 mN



| | | | | | | | | | | | |
|----------------|-----------------------------|---------|-----------|------|-------------------------------|-----------|------|---|---|--|-------------------|
| | | | | | Dat. | | Name | |  All Dim. in mm Orig. Size DIN A 4 | D-Sub, Hood 15 poles, for spring or slide locking, top cable entry | Maßstab/ Scale |
| | | | | | Detail. | 28-MAR-02 | CV | | | | 1.5:1 |
| | | | | | Insp. | 25-MAY-11 | JMDV | | | | |
| | | | | | Stand. | | | | | | |
| 09 67 015 0413 | Thermoplastic metallized | EC03223 | 25-MAY-11 | SD | HARTING EURL F-95972 Paris | | |  | TB 0967015041x | Blatt/ Page | |
| 09 67 015 0411 | Thermoplastic grey RAL 7032 | 29760 | 28-MAR-02 | CV | | | | | | Sub. | 1 |
| Part number | Material | Mod. | Dat. | Name | | | | | | | |