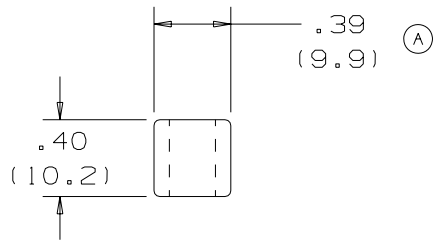
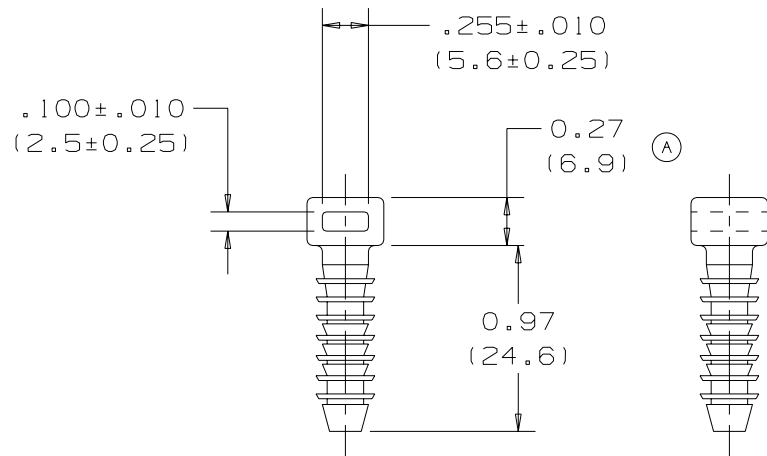


THIS COPY IS PROVIDED ON A RESTRICTED BASIS AND IS NOT TO BE USED IN ANY WAY DETRIMENTAL TO THE INTERESTS OF PANDUIT CORP.



PANDUIT PART NO. *	USED WITH CABLE TIES	HOLE SIZE in (mm)	WEIGHT lbs/ (g) / 100 pc
MPMS25	M, I, S SG100M, SG150I, SG200S	.250 DIA X 1.25 DP (6.4 DIA X 31.8 DP)	.22 (100)
SGMPMS25	SG250S, SG300S, SG370S		



* NOTES:

- SEE CURRENT PRICE SHEET FOR PART NUMBER SUFFIX DESIGNATION FOR PACKAGE SIZE.

(DIMENSIONS IN PARENTHESES ARE IN METRIC.)

CAD FILENAME/LAYERS

G00239JI_PB_MPMS25_01



CORP. TINLEY PARK, ILLINOIS

MASONRY PUSH MOUNT
MPMS25, SGMPMS25

UNLESS OTHERWISE SPECIFIED,
DIMENSIONAL TOLERANCES ARE:
(.X) ± 0.1 (2.5) (.XXX) ± 0.020 (.5)
(.XX) ± 0.05 (1.3) ANGLES ± 5°

UNLESS OTHERWISE SPECIFIED,
ALL DIMENSIONS ARE GIVEN
IN INCHES, THIRD ANGLE PROJECTION.

REV	DATE	BY	CHK	DESCRIPTION	ECN	R	CUST	SUP
I	9-22-06	TMSA		ADDED PART # SGMPMS25 AND CABLE TIE CROSS SECTIONS	GB0239J1	I		
R	9-4-02	LGG		INITIAL RELEASE REPLACED G-02025	GB0239J1	R		

DRAWN BY LGG	MAT'L: WEATHER RESISTANT NYLON COLOR: BLACK
DATE 9-04-02	
CHK'D	

SCALE FULL
DRAWING NO. GB0239JI
DWG SIZE A