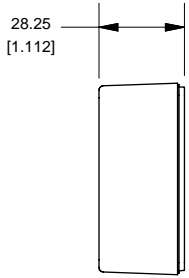
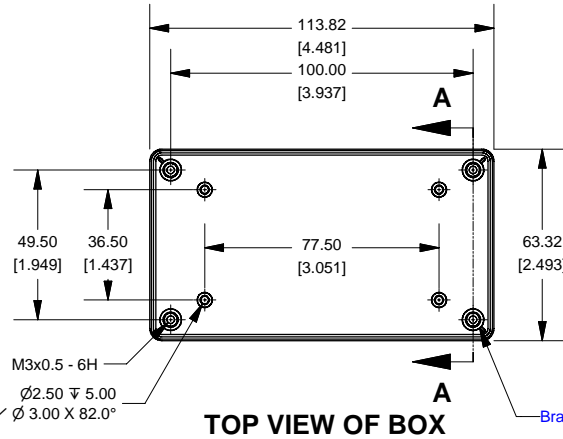


1591XXBFL Enclosure



SIDE VIEW OF BOX

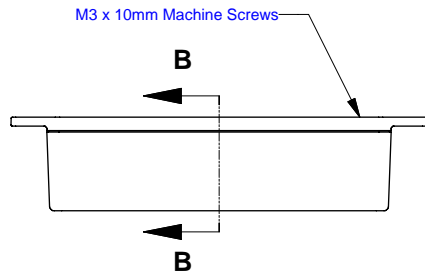
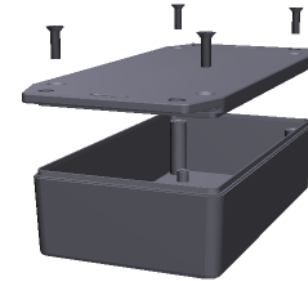


TOP VIEW OF BOX

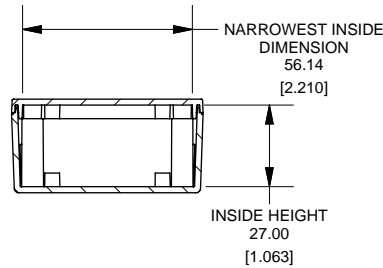
AVERAGE WALL THICKNESS
2.00
[.079]



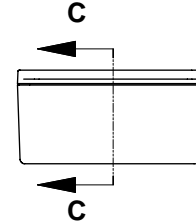
SECTION A-A



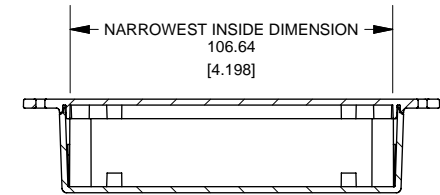
SIDE VIEW OF ENCLOSURE



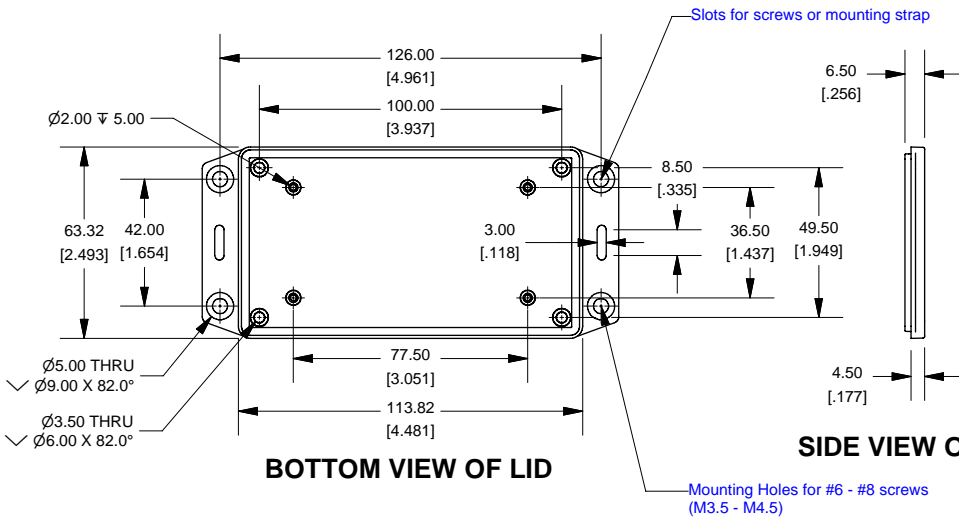
SECTION B-B



END VIEW OF ENCLOSURE

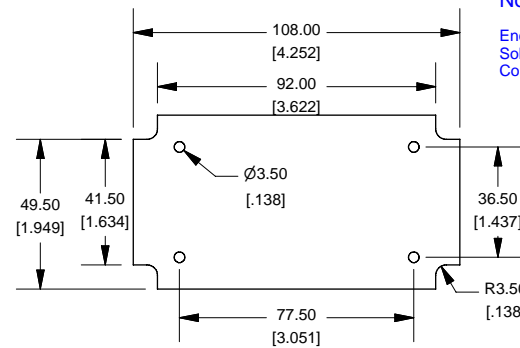


SECTION C-C



BOTTOM VIEW OF LID

SIDE VIEW OF LID



Max Size PCB. Fits in Box or in Lid.
Not supplied with Enclosure

NOTE	
Enclosure molded from FRABS UL 94-V0 Plastic. Other materials / Colours Available Consult Factory	
1591XXBFL	
1590XXB Flanged Lid Enclosure	
Black Enclosure Cover Screws (Pkg 100)	1591XXBFLBK
Gray Enclosure - RAL 7035	1591XXBFLGY
ACCESSORIES	
Black Enclosure Cover Screws (Pkg 100)	1591MS100BK
Gray Enclosure Cover Screws (Pkg 100)	1591MS100
P.C. Board Screws (All Boxes)	
P.C. Board Screws	1593ATS50 (Pkg 50)
#4 x 1/4" self-tapping (6.4mm)	1593ATS100 (Pkg 100)

