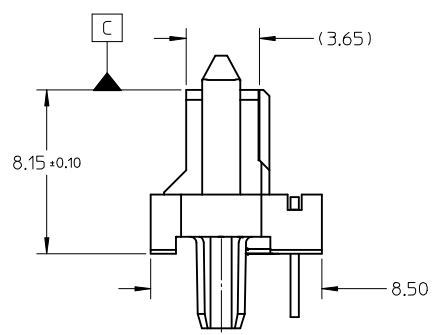
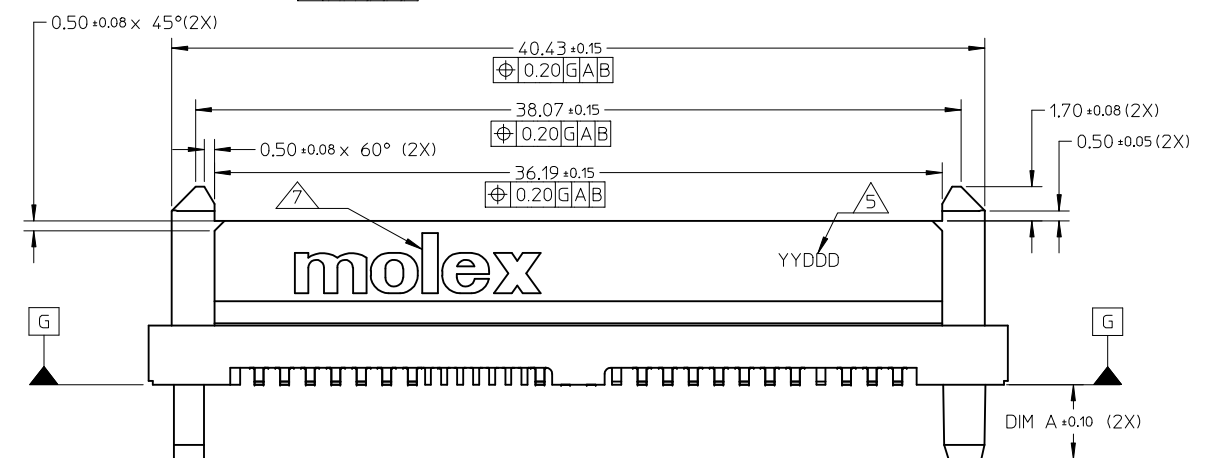
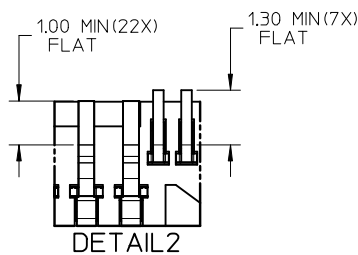
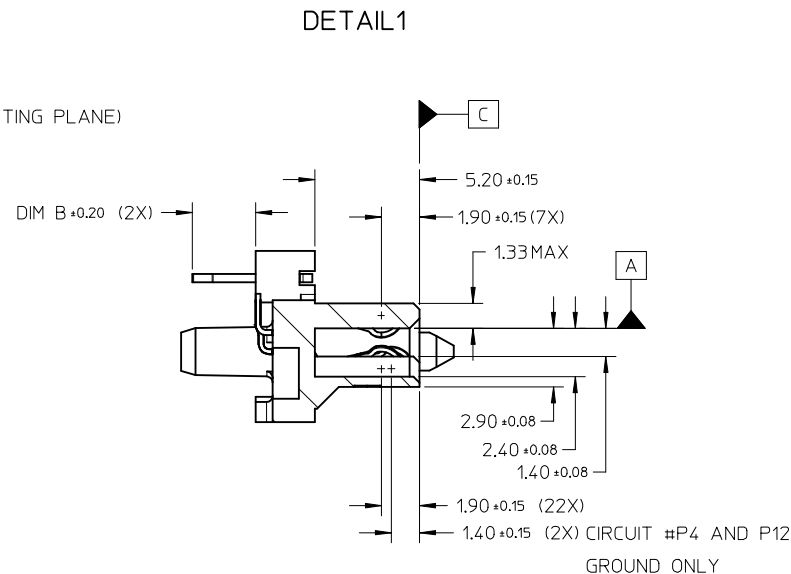
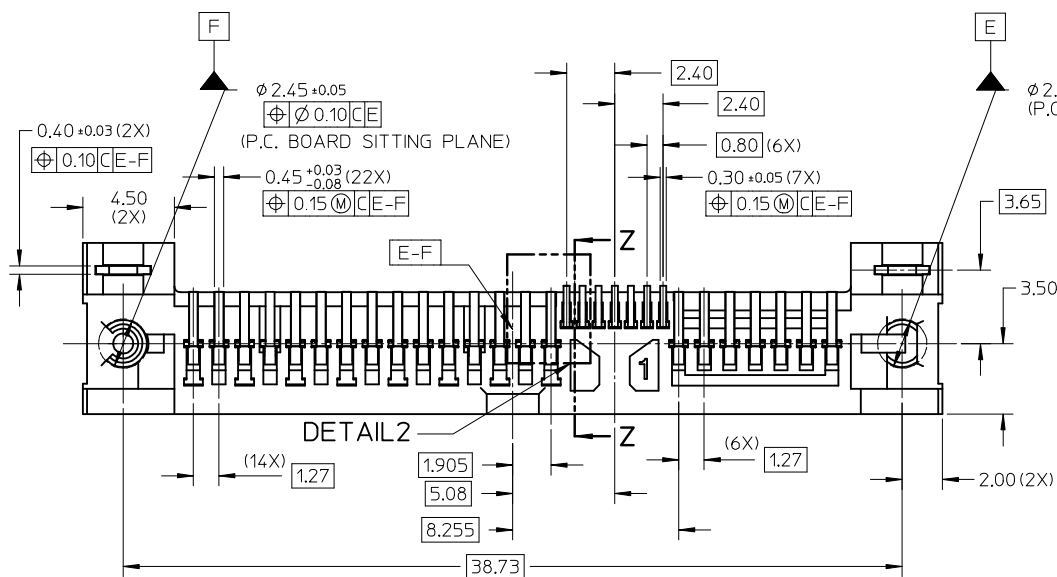
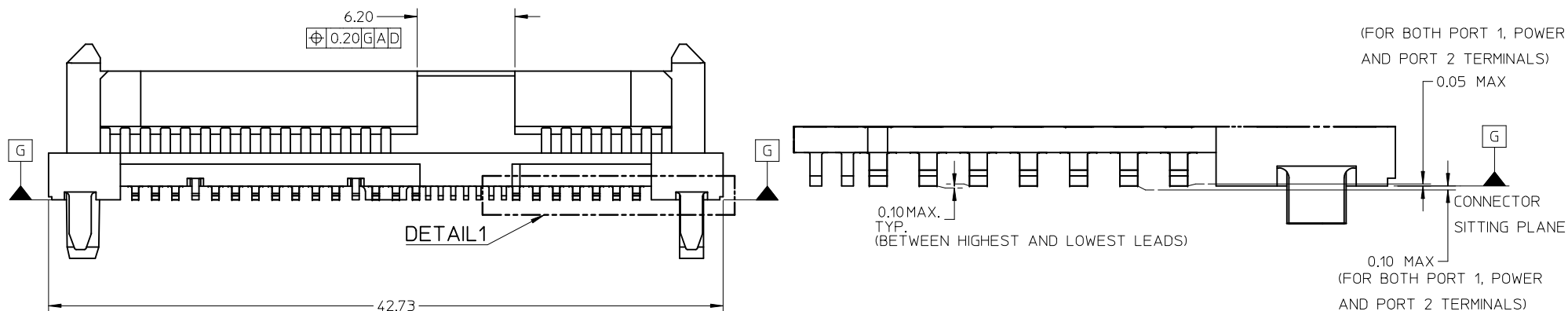


- NOTES:
- MATERIAL: LIQUID CRYSTALLINE POLYMER (LCP). GLASS FILLED UL 94V-0
COLOR: BLACK
TERMINAL: COPPER ALLOY
 - PLATING:
CONTACT: SEE TABLE IN SHEET 3.
SOLDERTAIL: 2.54μ MIN, TIN OVER 1.27 μm MIN, NICKEL UNDERPLATE
 - PRODUCT SPECIFICATION: PS-78715-001
 - PACKAGING SPECIFICATION: SEE TABLE
 - DATE CODE TO BE LOCATED APPROXIMATELY AS SHOWN.
 - PRODUCT IS COMPLIANT TO RoHS DIRECTIVE WITH THE FOLLOWING BANNED SUBSTANCES - LEAD, MERCURY, CADMIUM, HEXAVALENT CHROMIUM, POLYBROMINATED BIPHENYLS AND POLYBROMINATED DIPHENYL ETHERS.
 - MOLEX LOGO LOCATED APPROXIMATELY AS SHOWN
 - MATES WITH: SAS 3.0 PLUG, SAS 2.0 PLUG, SATA PLUG
 - ALL DESIGNATED GROUND PINS BY DESIGN ARE A SINGLE RETURN PATH.



ADD NEW P/N EC NO: S2015-0542 DRW:HCCH CHKD: JESSIE CHUA APPR: SHONG 2014/12/04 2014/12/04 2015/01/05	QUALITY SYMBOLS $F_A=0$ $F_G=0$ $F_P=0$	GENERAL TOLERANCES (UNLESS SPECIFIED)		DIMENSION STYLE	SCALE	DESIGN UNITS	THIRD ANGLE PROJECTION	
				MM ONLY	NTS	METRIC		
				DRAWN BY	DATE	TITLE		
				CHECKED BY	DATE	SERIAL ATTACH SCSI STD HEIGHT BACKPLANE SMT RECEPTACLE (WITH BLADE)		
				APPROVED BY	DATE	MOLEX MOLEX INCORPORATED		
REV A5	DESCRIPTION REV	ANGULAR ± 3 °		MATERIAL NO.	DOCUMENT NO.		SHEET NO.	
		DRAFT WHERE APPLICABLE MUST REMAIN WITHIN DIMENSIONS		SEE TABLE	SD-78715-001		1 OF 3	
		THIS DRAWING CONTAINS INFORMATION THAT IS PROPRIETARY TO MOLEX INCORPORATED AND SHOULD NOT BE USED WITHOUT WRITTEN PERMISSION						

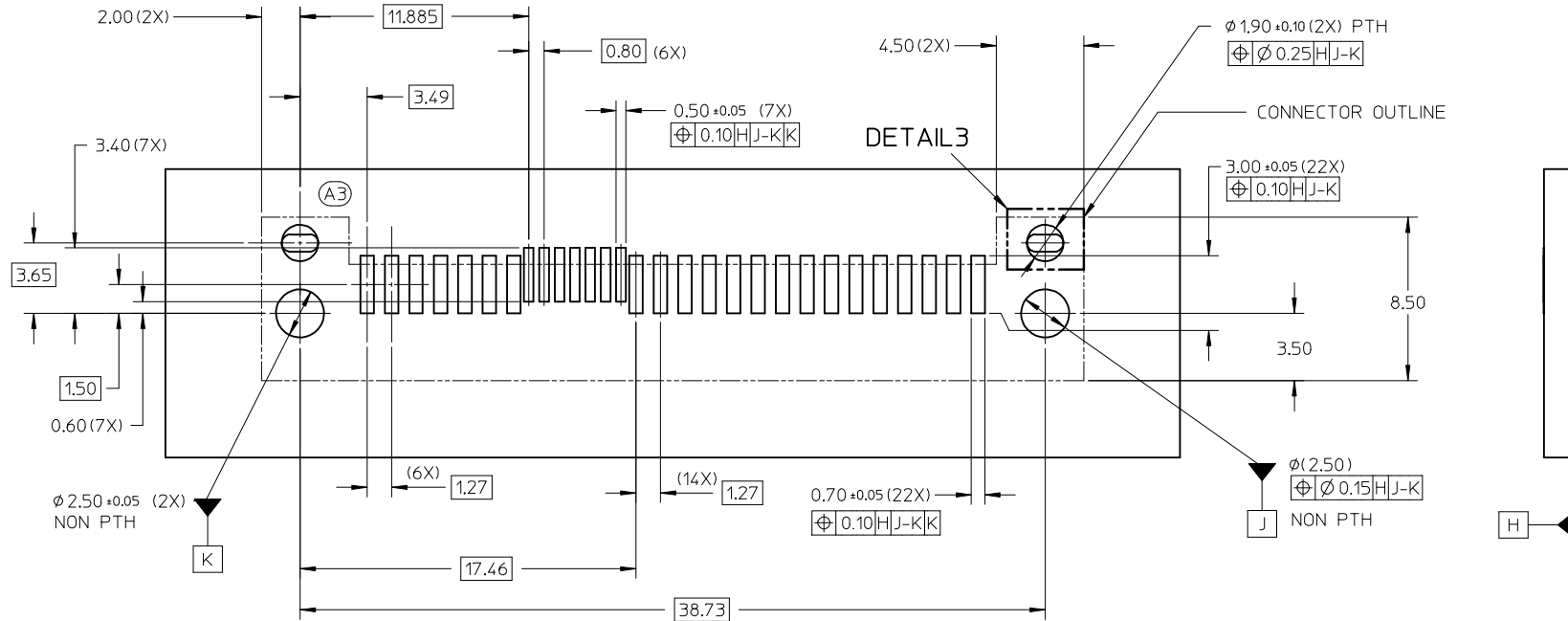
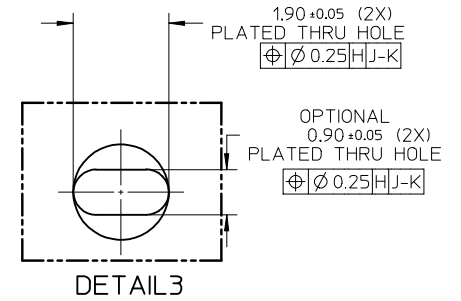
10 9 8 7 6 5 4 3 2 1



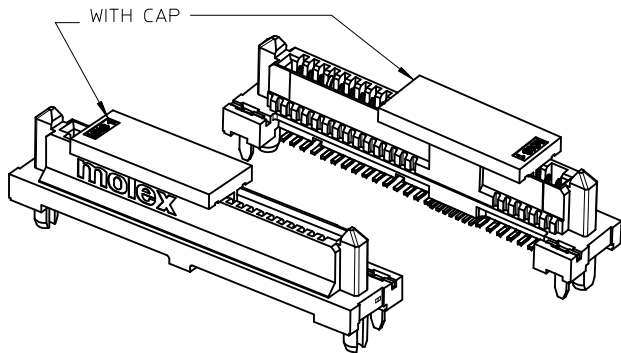
ADD NEW P/N EC NO: S2015-0542 DRWN: HCGOH CHKD: JESSIECHUA APPR: SHONG 2014/12/04 2014/12/04 2015/01/05	QUALITY SYMBOLS $\nabla = 0$ $\nabla = 0$ $\nabla = 0$	GENERAL TOLERANCES (UNLESS SPECIFIED)		DIMENSION STYLE MM ONLY		SCALE NTS	DESIGN UNITS METRIC	THIRD ANGLE PROJECTION	
			mm	INCH	DRAWN BY CGOH	DATE 2011/06/01	TITLE SERIAL ATTACH SCSI STD HEIGHT BACKPLANE SMT RECEPTACLE (WITH BLADE)		
		4 PLACES ± --- ± --- 3 PLACES ± --- ± --- 2 PLACES ± 0.20 ± --- 1 PLACE ± --- ± ---			CHECKED BY SCHEONG	DATE 2011/06/10	MOLEX INCORPORATED		
		ANGULAR ± 3 °			APPROVED BY BOKOK	DATE 2011/06/10	DOCUMENT NO. SD-78715-001	SHEET NO. 2 OF 3	
DRAFT WHERE APPLICABLE MUST REMAIN WITHIN DIMENSIONS	SIZE A3	THIS DRAWING CONTAINS INFORMATION THAT IS PROPRIETARY TO MOLEX INCORPORATED AND SHOULD NOT BE USED WITHOUT WRITTEN PERMISSION							

9 8 7 6 5 4 3 2 1

PART NO	PACKAGING	QUANTITY	PICK & PLACE CAP	DIM A	DIM B	PACKAGING SPECIFICATION	CONTACT FINISHES
78715-0001	TRAY	50/TRAY	NO	3.70	3.15	PK-78715-002	0.76µM MIN SELECTIVE GOLD OVER 1.27µM MIN NICKEL UNDERPLATE
78715-0002	TRAY	50/TRAY	YES	3.70	3.15	PK-78715-002	
78715-0004	TAPE AND REEL	250/REEL	YES	3.70	3.15	PK-78715-003	
78715-0025	TAPE AND REEL	250/REEL	YES	2.10	1.70	PK-78715-003	0.38µM MIN SELECTIVE GOLD OVER 1.27µM MIN NICKEL UNDERPLATE
78715-0013	TAPE AND REEL	250/REEL	YES	3.70	3.15	PK-78715-003	



RECOMMENDED PCB LAYOUT
THICKNESS: 1.60 ± 0.10 mm



ADD NEW P/N EC NO: S2015-0542 DRW: HCGOH CH'KD: JESS IECHUA APPR: SHONG 2014/12/04 2014/12/04 2015/01/05	QUALITY SYMBOLS $\nabla_F = 0$ $\nabla_E = 0$ $\nabla_D = 0$	GENERAL TOLERANCES (UNLESS SPECIFIED)		DIMENSION STYLE MM ONLY	SCALE NTS	DESIGN UNITS METRIC	THIRD ANGLE PROJECTION		
		4 PLACES ± --- ± --- 3 PLACES ± --- ± --- 2 PLACES ± 0.20 ± --- 1 PLACE ± --- ± ---	mm INCH ± --- ± --- ± 0.20 ± --- ± --- ± ---	DRAWN BY CGOH	DATE 2011/06/01	TITLE SERIAL ATTACH SCSI STD HEIGHT BACKPLANE SMT RECEPTACLE (WITH BLADE)			
		ANGULAR ± 3 °		CHECKED BY SCHEONG	DATE 2011/06/10	MOLEX INCORPORATED			
		DRAFT WHERE APPLICABLE MUST REMAIN WITHIN DIMENSIONS		APPROVED BY BOKOK	DATE 2011/06/10	MATERIAL NO. SEE TABLE	DOCUMENT NO. SD-78715-001	SHEET NO. 3 OF 3	