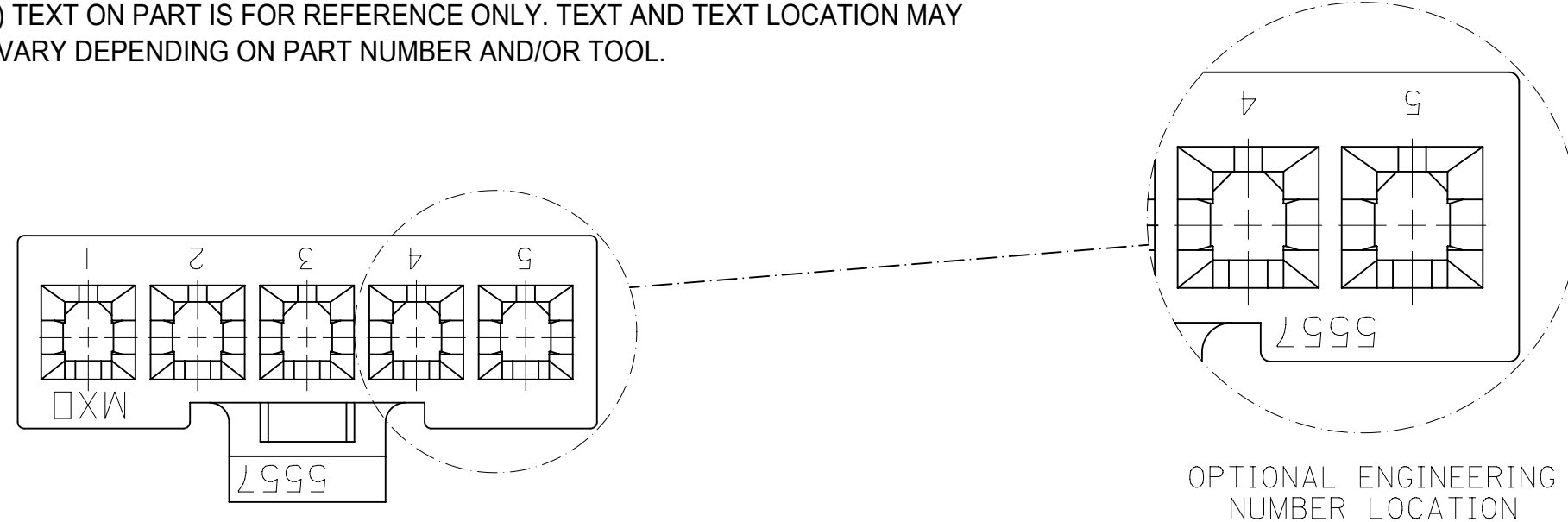


NOTES:

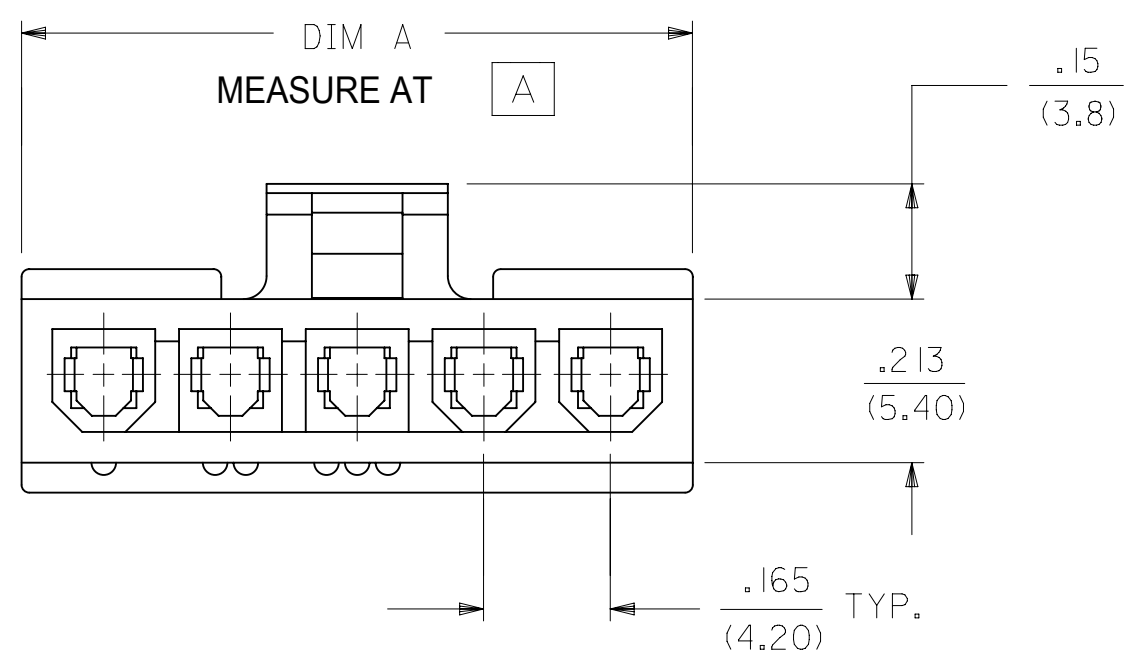
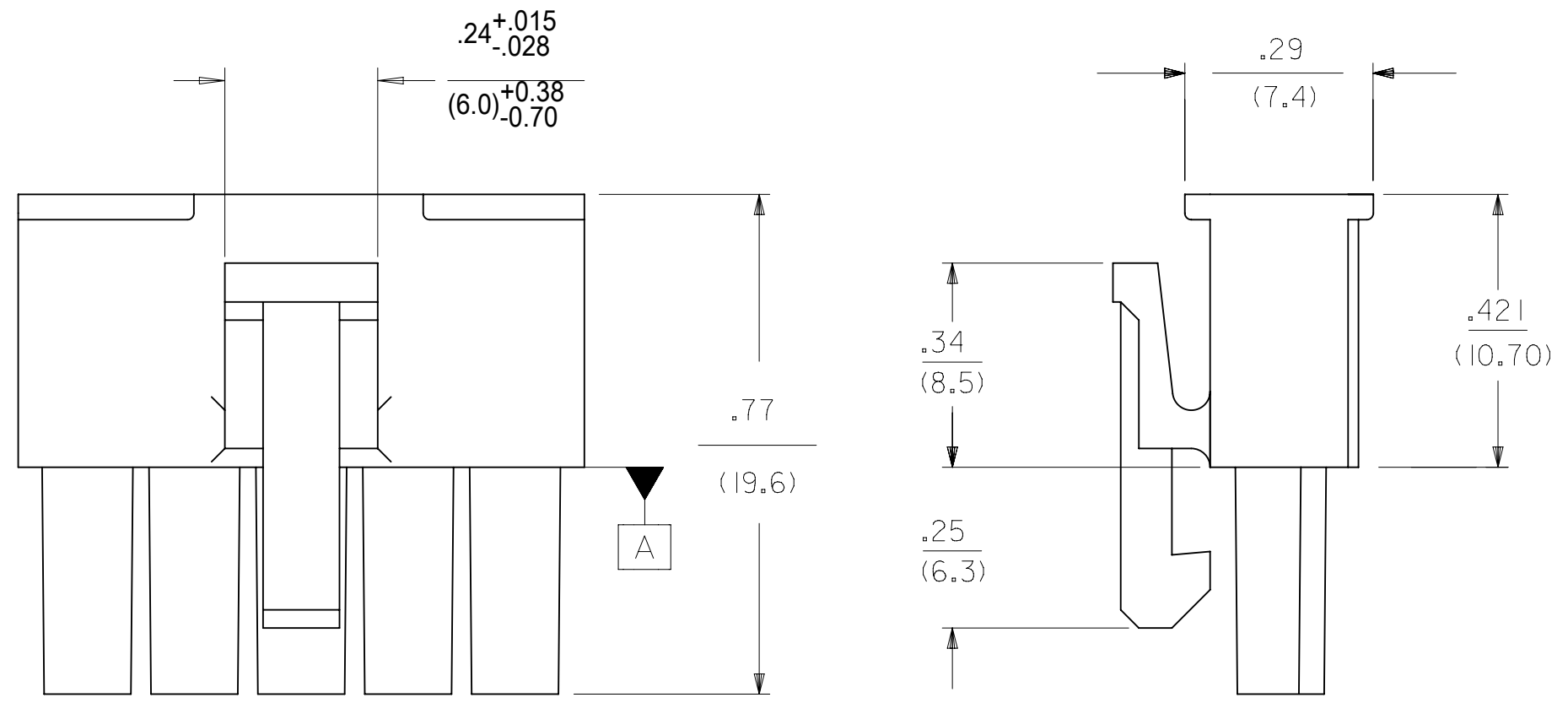
- 1) MATERIAL:
 "BLANK": NYLON 6/6, 94V-2, COLOR: NATURAL.
 210 : NYLON 6/6, 94V-0, COLOR: NATURAL.
 400 NYLON 6/6, 94V-0, COLOR: BLACK.
- 2) FINISH: NOT APPLICABLE
- 3) PRODUCT SPECIFICATION: PS-5556-001
- 4) PACKAGING SPECIFICATION: PK-5557-002
- 5) PART MATES WITH MOLEX PLUG #5559-*, VERTICAL HEADER #5566-*, AND RIGHT-ANGLE HEADER #5569-*.
- 6) PART IS FOR USE WITH MOLEX FEMALE TERMINAL #5556-*.
- 7) PART CONFORMS TO CLASS "B" REQUIREMENTS OF COSMETIC SPECIFICATION PS-45499-002.
- 8) PART IS NOT DESIGNED FOR CURRENT SHARING.
- 9) CONNECTORS ARE NOT TO BE MATED OR UNMATED WHILE CIRCUITS ARE LIVE.
- 10) WIRES ARE TO BE DRESSED IN SUCH A MANNER TO ALLOW THE TERMINALS TO FLOAT FREELY IN THE POCKET.
- 11) TEXT ON PART IS FOR REFERENCE ONLY. TEXT AND TEXT LOCATION MAY VARY DEPENDING ON PART NUMBER AND/OR TOOL.

| CKT SIZE | DIM A |
|----------|------------------|
| 2 | .378 (9.60) |
| 4 | .709 (18.00) |
| 5 | .874 (22.20) |
| 6 | 1.039 (26.40) |

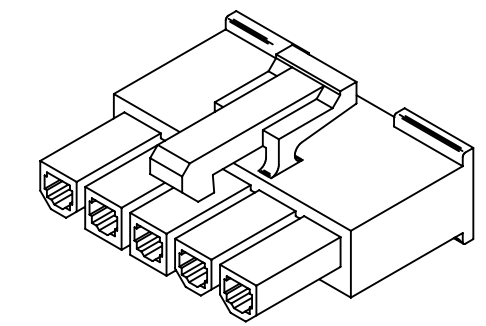
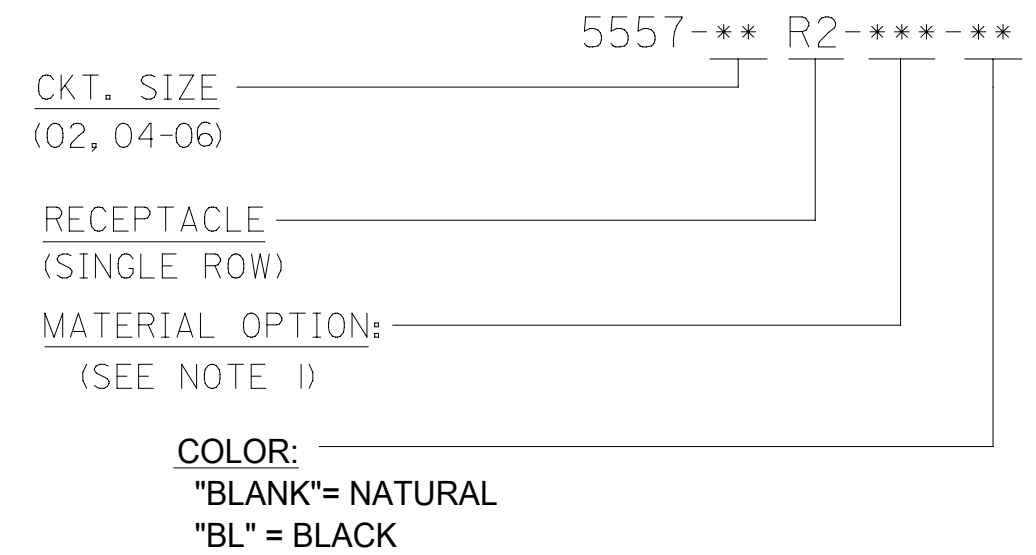
| PART NUMBER | ENG. NUMBER | CKT. SIZE | MATERIAL (SEE NOTE 1) |
|-------------|---------------|-----------|-----------------------|
| 39-01-4020 | 5557-02R2 | 2 | 94V-2 |
| 39-01-4021 | 5557-02R2-210 | 2 | 94V-0 |
| 39-01-4040 | 5557-04R2 | 4 | 94V-2 |
| 39-01-4041 | 5557-04R2-210 | 4 | 94V-0 |
| 46999-0503 | 5557-04R2-400 | 4 | 94V-0 |
| 39-01-4050 | 5557-05R2 | 5 | 94V-2 |
| 39-01-4051 | 5557-05R2-210 | 5 | 94V-0 |
| 50-30-4447 | 5557-05R2-400 | 5 | 94V-0 |
| 39-01-4060 | 5557-06R2 | 6 | 94V-2 |
| 39-01-4061 | 5557-06R2-210 | 6 | 94V-0 |



OPTIONAL ENGINEERING NUMBER LOCATION



LEGEND:



| | | | | |
|--|---|--|---|--|
| SYMBOLS DIMENSION UNITS: IN/MM SCALE: 4:1 GENERAL TOLERANCES (UNLESS SPECIFIED): 4 PLACES ± ± 3 PLACES ± ± 0.01 2 PLACES ± 0.25 ± 0.015 1 PLACE ± 0.38 ± 0 PLACES ± ± ANGULAR TOL ± 0.5 ° DRAFT WHERE APPLICABLE MUST REMAIN WITHIN DIMENSIONS THIRD ANGLE PROJECTION DRAWING SERIES: C-SIZE 5557 | THIS DRAWING CONTAINS INFORMATION THAT IS PROPRIETARY TO MOLEX ELECTRONIC TECHNOLOGIES, LLC AND SHOULD NOT BE USED WITHOUT WRITTEN PERMISSION CURRENT REV DESC: MIGRATE TO ECTR EC NO: 172489 DRWN: AZAHIROVIC 2018/01/24 CHK'D: JBELL 2018/02/20 APPR: FSMITH 2018/02/22 INITIAL REVISION: DRWN: KSS 2/15/89 APPR: FSMITH 2012/05/04 | | molex MINI-FIT JR. RECEPTACLE SINGLE ROW PRODUCT CUSTOMER DRAWING DOCUMENT NUMBER: 55570002-SD DOC TYPE: PSD DOC PART: 000 REVISION: A MATERIAL NUMBER: SEE CHART CUSTOMER: GENERAL MARKET SHEET NUMBER: 1 OF 1 | |
| | THIS DRAWING REPLACES DRAWING SD-5557-NR2* | | | |