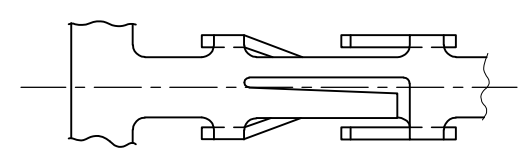
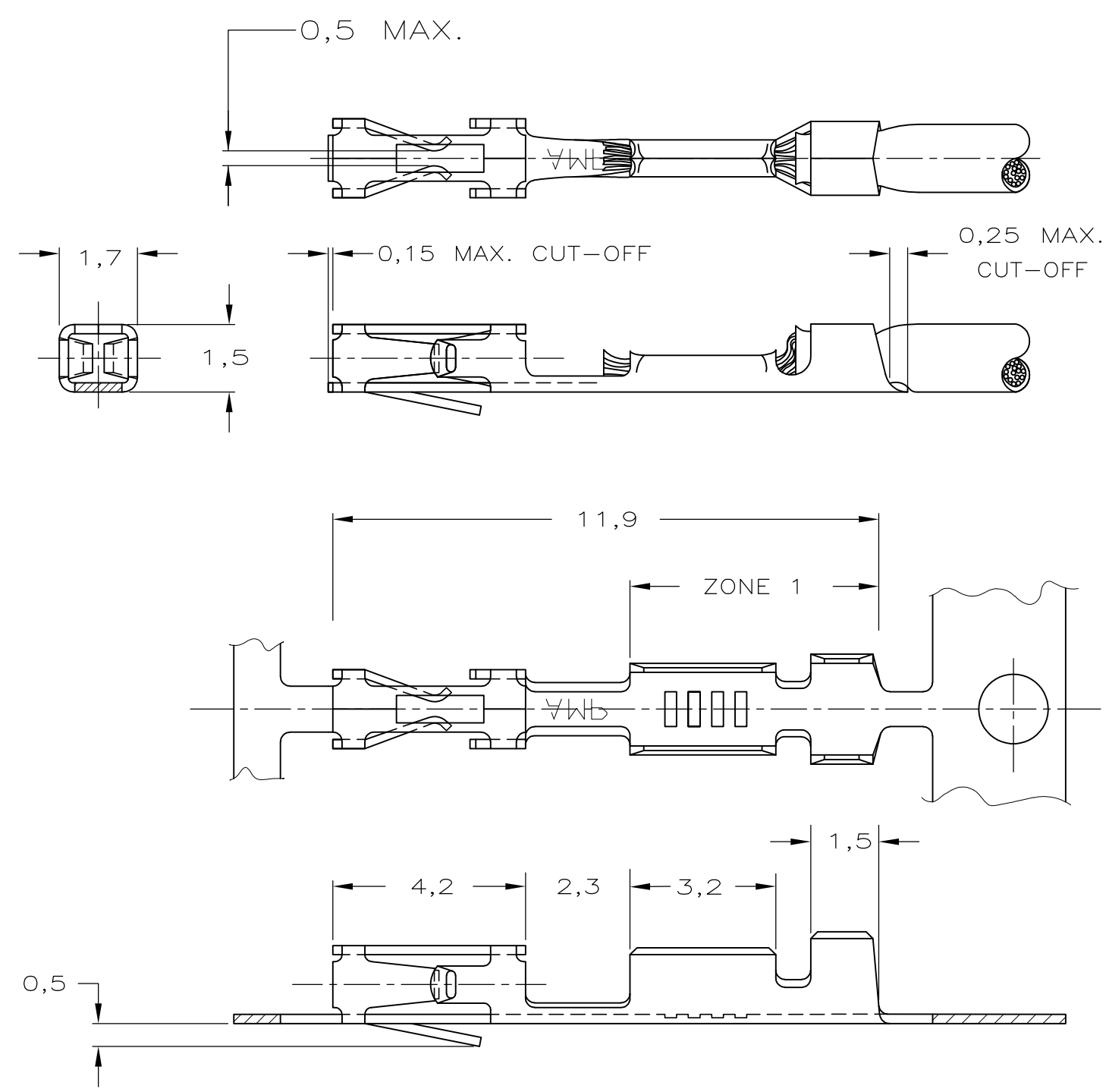


THIS DRAWING IS UNPUBLISHED. RELEASED FOR PUBLICATION  
 © COPYRIGHT - By - ALL RIGHTS RESERVED.

LOC	DIST	REVISIONS					
		P	LTR	DESCRIPTION	DATE	DWN	APVD
-	-		G	EH-2039-98	03-12-98	JvL	JvL
			G1	ECR-10-026609	10FEB11	KK	HMR

NOTES:

- 1 FOR MINI-APPLICATOR CRIMPING.
- 2 UNDERCOATING: 1,25µm Ni, SELECTIVE: 0,8µm Au, ZONE 1: 0,5µm MIN. GOLDFLASH.
- 3 UNDERCOATING: 1,25µm Ni, SELECTIVE: 0,8µm Au, REMAINDER: GOLDFLASH.
- 4 ZONE 1: BRIGHT TIN/LEAD PLATED.
- 5 PRE-TIN PLATED 2,0µm.
- 6 MATERIAL: PHOSPHORBRONZE
- 7 OBSOLETE



WIRE RANGE :  
 0,20-0,58 mm<sup>2</sup> 24-20 AWG  
 INSULATION RANGE :  
 1,6 MAX. DIA.

THIS DRAWING IS A CONTROLLED DOCUMENT.

DIMENSIONS: mm	TOLERANCES UNLESS OTHERWISE SPECIFIED:
	0 PLC ± -
	1 PLC ± -
	2 PLC ± -
	3 PLC ± -
	4 PLC ± -
	ANGLES ± -
MATERIAL	FINISH
-	-

GOLD	3	167419-4	167418-4
GOLD	2	167419-2	<del>167418-2</del> 7
TIN	5	167419-1	167418-1
FINISH		LOOSE PIECE	PART NUMBER

DWN J.v.LIEMPT 03 DEC 98		<b>STE</b> TE Connectivity			
CHK J.v.LIEMPT	-				
APVD E.LEIJTENS	-	NAME			
PRODUCT SPEC	-	AMPMODU MOD.4 RECEPTACLE, S.C.P. STRIP			
APPLICATION SPEC	-	SIZE	CAGE CODE	DRAWING NO	RESTRICTED TO
WEIGHT	-	A3	00779	C-167418	-
CUSTOMER DRAWING		SCALE	SHEET	REV	
		-	1 OF 1	G1	