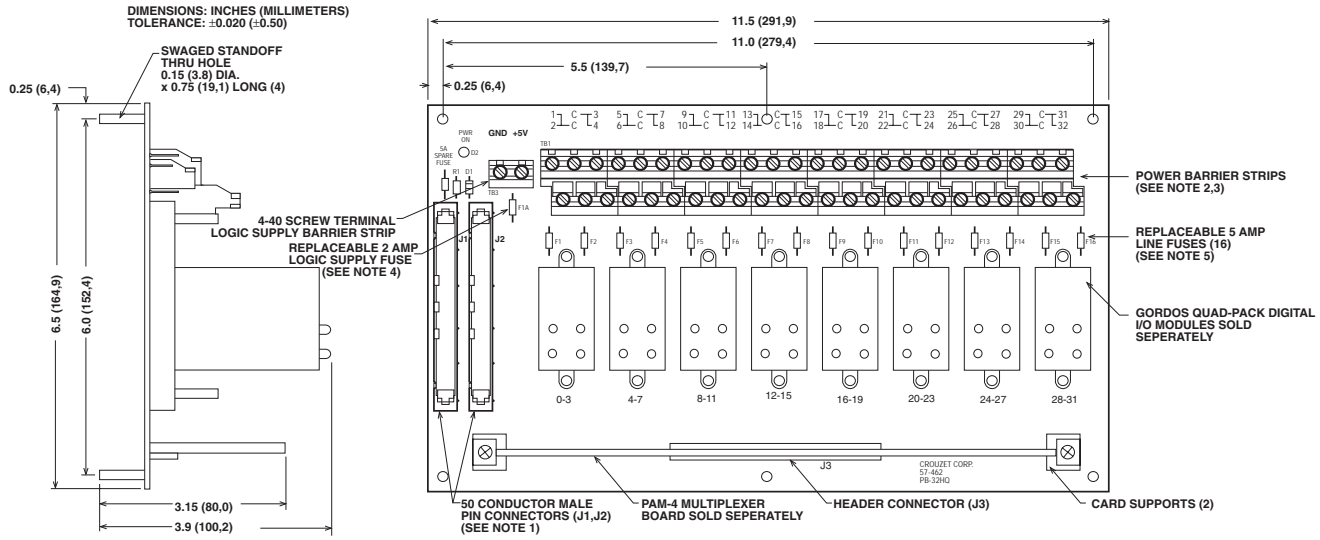


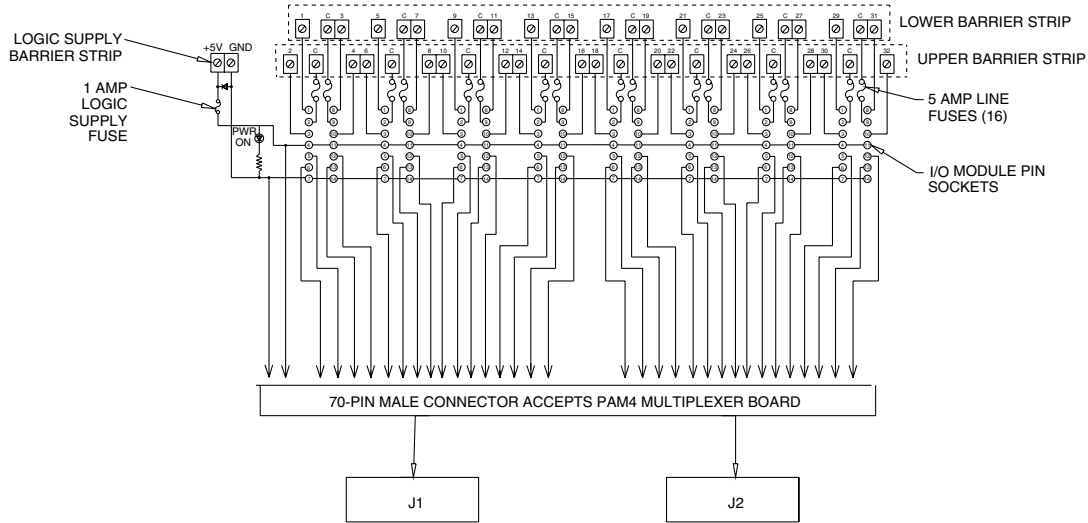
DIGITAL I/O MODULE MOUNTING BOARDS

FOR QUAD-PACK MODULES

PB32HQ



- NOTES: 1) CONNECTOR IS CIRCUIT ASSEMBLY CA-50H-2B-SR OR EQUIVALENT. CONNECTORS ARE WIRED IN PARALLEL.
2) 6-32 SCREW TERMINAL BARRIER STRIPS ACCEPT WIRE SIZES FROM 24 TO 12 AWG.
3) OPTIONAL JUMPERS AVAILABLE TO INTERCONNECT BARRIER STRIP COMMONS. ORDER 2 EACH JUMPERS "JQ2" AND 4 EACH JUMPERS "JQ4".
4) LITTLE FUSE 251001 OR EQUIVALENT.
5) LITTLE FUSE 251005 OR EQUIVALENT.



SIGNAL INPUT/OUTPUT 50 CONDUCTOR MALE PIN CONNECTORS. J1 AND J2 ARE WIRED IN PARALLEL.

Products and specifications subject to change without notice.
Consult factory for application assistance.