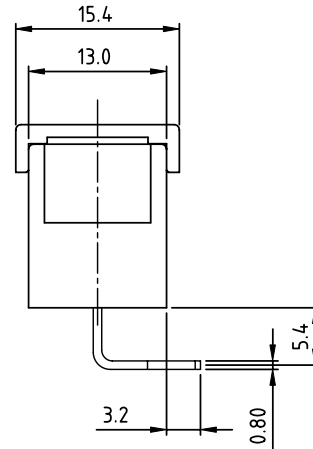
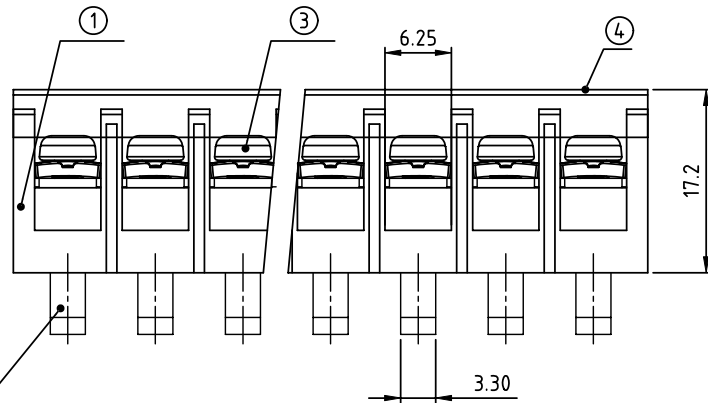
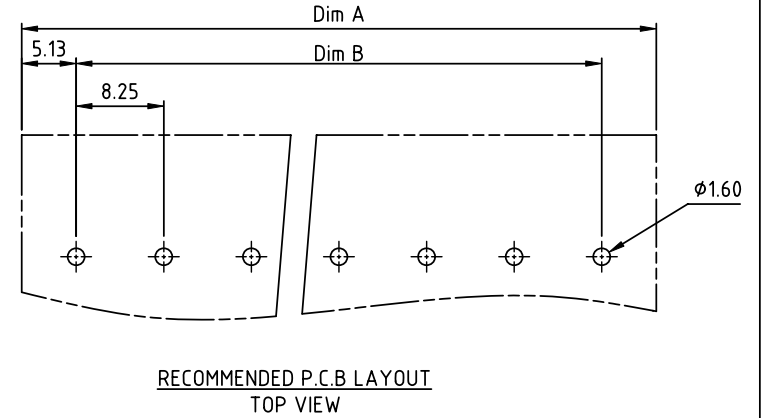
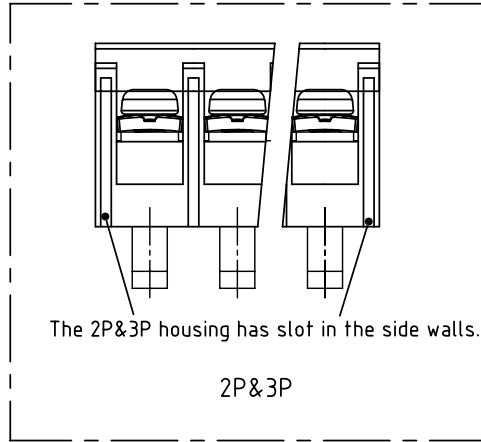
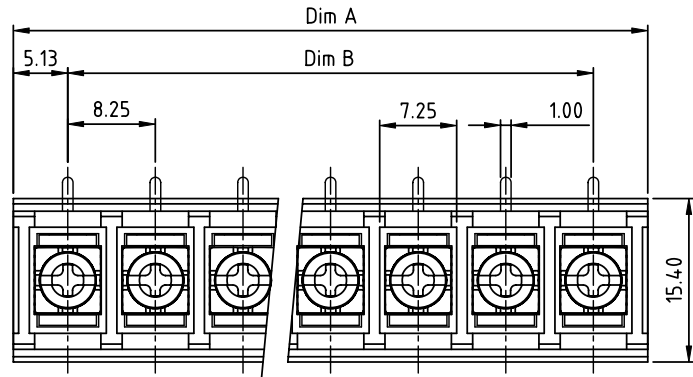


PRODUCT NUMBER	PITCH
YK401xx2x0J0G	8.25 mm



MATERIALS & ELECTRICAL
 RATED VOLTAGE & CURRENT: 300 V, 20 A
 WITHSTAND VOLTAGE: AC 2000 V/Min
 INSULATION RESISTANCE: 1000 M Ω OR MORE AT DC 500 V
 OPERATING TEMPERATURE RANG: -40 °C ~ +115 °C
 SCREW TORQUE VALUE: 7 Lb-In.
 WIRE RANGE: 22 - 12 AWG
 1) HOUSING: Thermoplastic , UL 94 V-0 BLACK
 2) TERMINAL: BRASS, 0.8t
 3) TERMINAL SCREWS: STEEL, M3
 4) COVER MATERIAL: PC
 APPROVAL:

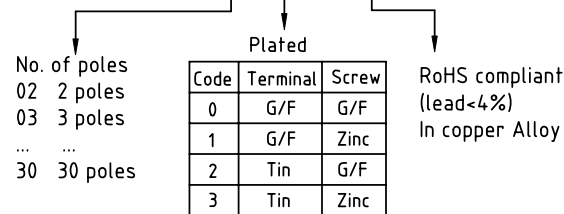
DIMENSION

Dim A	(N-1)×8.25+10.25
Dim B	(N-1)×8.25

N=Number of poles

Poles	Tolerance
2p-4p	±0.30
5p-8p	±0.40
9p-16p	±0.50
17p-23p	±0.60
24p-30p	±0.80

PART NO.: YK 401xx 2 x 0 J0G



mat'l. code		surface ASME Y14.5	tolerance ASME Y14.5	projection 	product family TERMINAL BLOCK
ltr	ecn no	dr	date	tolerances unless otherwise specified	title TERMINAL BLOCK
				angles 	BARRIER TYPE, WITH COVER
				X'±1"	scale
		dr	EVAN LU	061014	dwg no
		enr	EVAN LU	061014	sheet 1 of 1
		chr	HANKE FENG	061014	size A4
		appd	SHI JUN	061014	YK401xx2x0J0G
sheet index				revision sheet	A 1
					type CUSTOMER Drawing