

DATA MCS 18, SSM 27 SWITCHES-MOMENTARY ACTION



BENEFITS

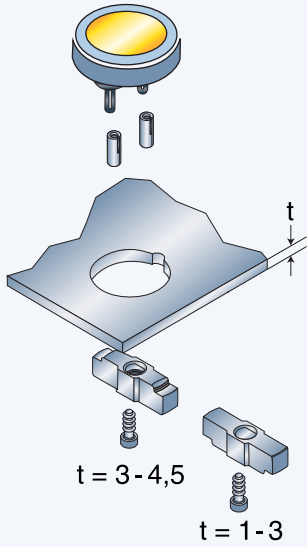
- Unique mechanical switches with tactile feedback
- Extremely high life time of 5 million switching cycles (SSM)
- Small mounting depth
- Various lettering options
- No mechanical stress of the switching elements due to magnetic switching principle (SSM)
- Front and rear tested to degree of protection IP 65

	MCS 18 gold contacts	MCS 18 silver contacts	SSM 27
<b>Electrical data</b>			
Contact material	gold	silver	AuNi
Switching voltage	min. 50 DC max. 24 DC	min. 5V DC max. 48 DC	min. 3V DC max. 50 DC
Switching current max.	80	125	50
Rated breaking capacity	0.36	0.72	2.5
Lifetime (at rated breaking capacity)	>10 <sup>6</sup>	>10 <sup>6</sup>	5 Mio.
Initial contact resistance, new	<50	<50	*
Initial contact resistance, after lifetime	<150	<150	*
Insulation resistance	>10 <sup>8</sup>	>10 <sup>8</sup>	*
Contact bounce time	typ. 0.1	typ. 0.1	typ. 1
ESD resistance	±16	±16	±16
<b>Mechanical data</b>			
Actuating force	3 ± 1	3 ± 1	2.8
Contact travel	0.5 ± 0.1	0.5 ± 0.1	0.30
End stop strength	>50	>50	IK 03
Lifetime	>1 Mio.	>1 Mio.	>5 Mio.
<b>Other data</b>			
Solderability	235 / 2	235 / 2	
Soldering heat resistance	260 / 5	260 / 5	
Ambient temperature	-25 – +60	-25 – +60	-25 – +85
Storage temperature	-25 – +60	-25 – +60	-25 – +85
Degree of protection	IP 65	IP 65	IP 65
Recommended torque	8	8	250
<b>Materials</b>			
Socket/Housing (SSM 27)	Thermoplast PES	Thermoplast PES	Alu anodized
Face foil	PETP	PETP	PETP
Bezel	Thermoplast PBTP	Thermoplast PBTP	Alu anodized
Contact material gold / silver	CuZn 37, 3µm Ni 2µm Au	CuZn 37, 2.5µm Ag	Au Ni
Soldering aid	tinned	tinned	

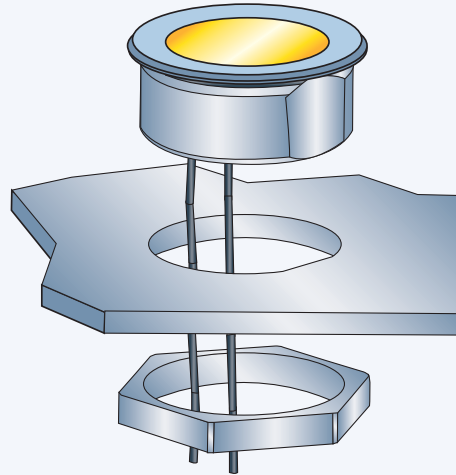
\* on request

**DIMENSIONS MCS 18, SSM 27 SWITCHES - MOMENTARY ACTION**

**CONSTRUCTION**

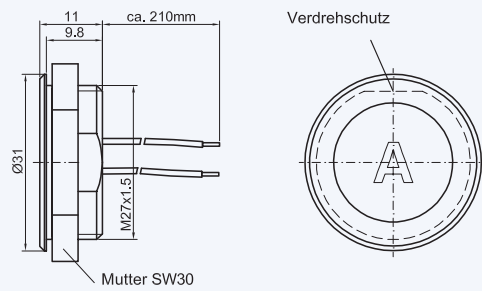
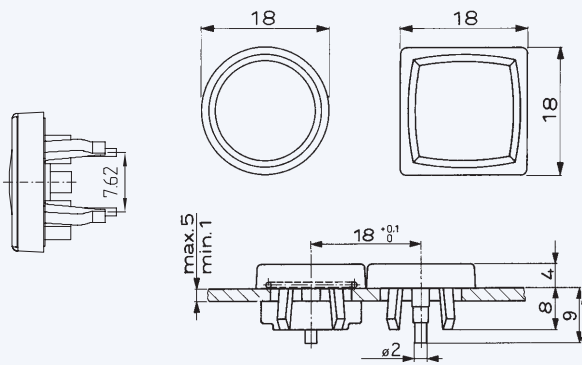


MCS 18

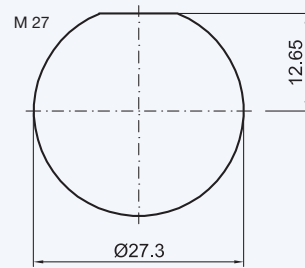
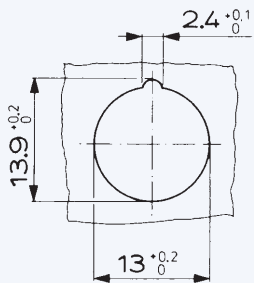


SSM 27

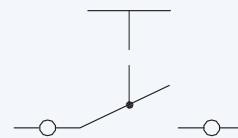
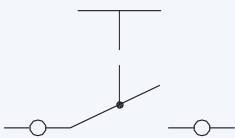
**DIMENSIONS**



**DRILLING DIAGRAM**



**CIRCUIT DIAGRAM**



## OVERVIEW MCS 18, SSM 27 SWITCHES – MOMENTARY ACTION



MCS 18

MCS 18

SSM 27

FEATURES			
Contact material	Ag	Au	Au
Degree of protection	IP 65	IP 65	IP 65
PART NUMBER *			
square	1241.1100. x xxx	1241.1102. x xxx	
round	1241.1104. x xxx	1241.1106. x xxx	
square with soldering aid	1241.1112. x xxx		
round with soldering aid	1241.1113. x xxx		
<b>Colour of bezel</b>			
red	3	3	
grey	6	6	
black	7	7	
alu natural			o
<b>Colour of face foil</b>			
red			1245.2112.43100093
green			1245.2112.45100095
<b>Colour of face foil without legend</b>			
yellow		091	
red		093	
green		095	
grey		096	
black		097	
white		098	
<b>Standard lettering</b>			
Order index	see page 29	see page 29	see page 29
<b>Accessories</b>			
IP 65 to the front	0098.9201	0098.9201	**

\* X in the Part No. must be replaced by the desired version  
 \*\* Nut and O-ring are included  
 o Standard version

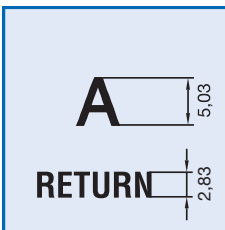


## LETTERING

Depending on the application and font, there are various lettering possibilities. The following standards can be used for key letterings:

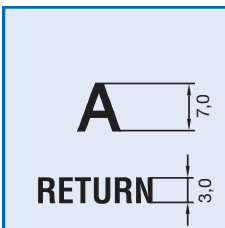
### ORDER INDEX LETTERING

A = 001	P = 016	4 = 031	↕ = 046	EIN = 061
B = 002	Q = 017	5 = 032	→ = 047	AUS = 062
C = 003	R = 018	6 = 033	← = 048	AUF = 063
D = 004	S = 019	7 = 034	↓ = 049	AB = 064
E = 005	T = 020	8 = 035	↑ = 050	ON = 065
F = 006	U = 021	9 = 036	% = 051	OFF = 066
G = 007	V = 022	+ = 037	√ = 052	UP = 067
H = 008	W = 023	- = 038	CTRL = 053	DOWN = 068
I = 009	X = 024	· = 039	RETURN = 054	HIGH = 069
J = 010	Y = 025	x = 040	SHIFT = 055	LOW = 070
K = 011	Z = 026	÷ = 041	LOCK = 056	ON/OFF = 071
L = 012	0 = 027	* = 042	STOP = 057	START = 072
M = 013	1 = 028	≡ = 043	ENTER = 058	
N = 014	2 = 029	# = 044	BACK = 059	
O = 015	3 = 030	↔ = 045	LINE = 060	



### MCS 18, LETTER HEIGHTS AND FONTS

- Single characters, Univers 65
- Legends max. 6 characters in line, Univers 65
- Insert label and front foil anthracite, RAL 7016
- Characters and symbols light grey, RAL 7035



### SSM 27, LETTER HEIGHTS AND FONTS

- Single characters, Univers 65
- Legends max. 6 characters in line, Akzident-Grotesk condensed bold type
- Front foil anthracite, RAL 7016
- Characters and symbols light grey, RAL 7035



## LIGHTING TECHNOLOGY

### TECHNICAL DATA LEDs

1. Maximum ratings				
Part number		0925.9730	0925.9731	0925.9732
Light colour		red	green	yellow
Forward current, DC	$I_f$ max. [mA]	40	40	40
Power dissipation	$P_{tot}$ max. [mW]	130	130	130
2. Characteristics (typ. at $T_u = 25^\circ\text{C}$ )				
Forward voltage	at $I_f = 10\text{mA}$ , $U_f$ typ. [mA]	2.0 (< 2.6)	2.0 (< 2.6)	2.0 (< 2.6)
Luminous intensity	at $I_f = 10\text{mA}$ , $I_v$ typ. [mcd]	11.2 - 28	18 - 45	11.2 - 28
Viewing angle	$\theta$ typ. [Degree]	50	50	50
Peak wave length	$\lambda_{peak}$ typ. [nm]	635	565	586
Reverse voltage	$U_r$ typ. [V]	5	5	5