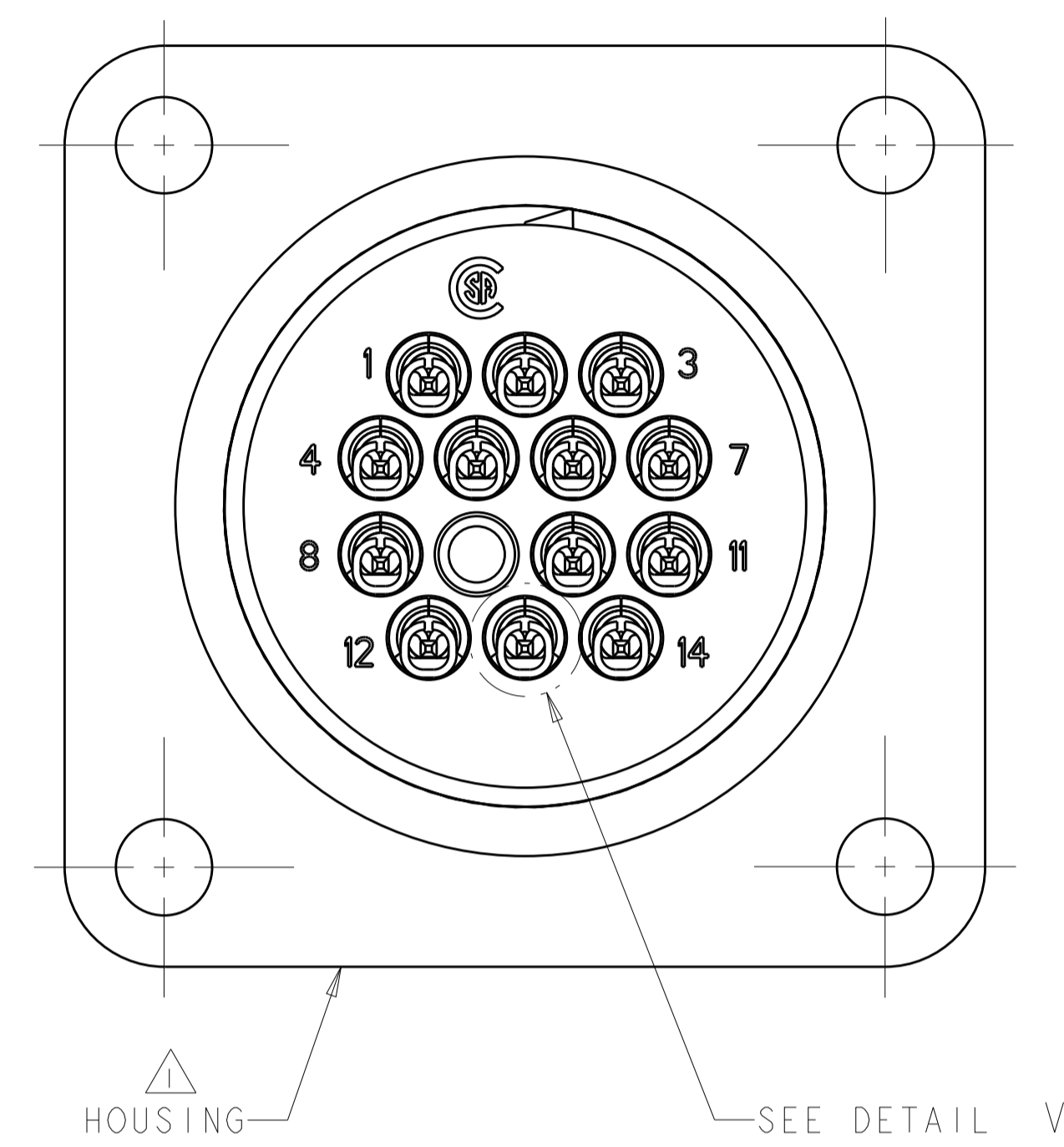
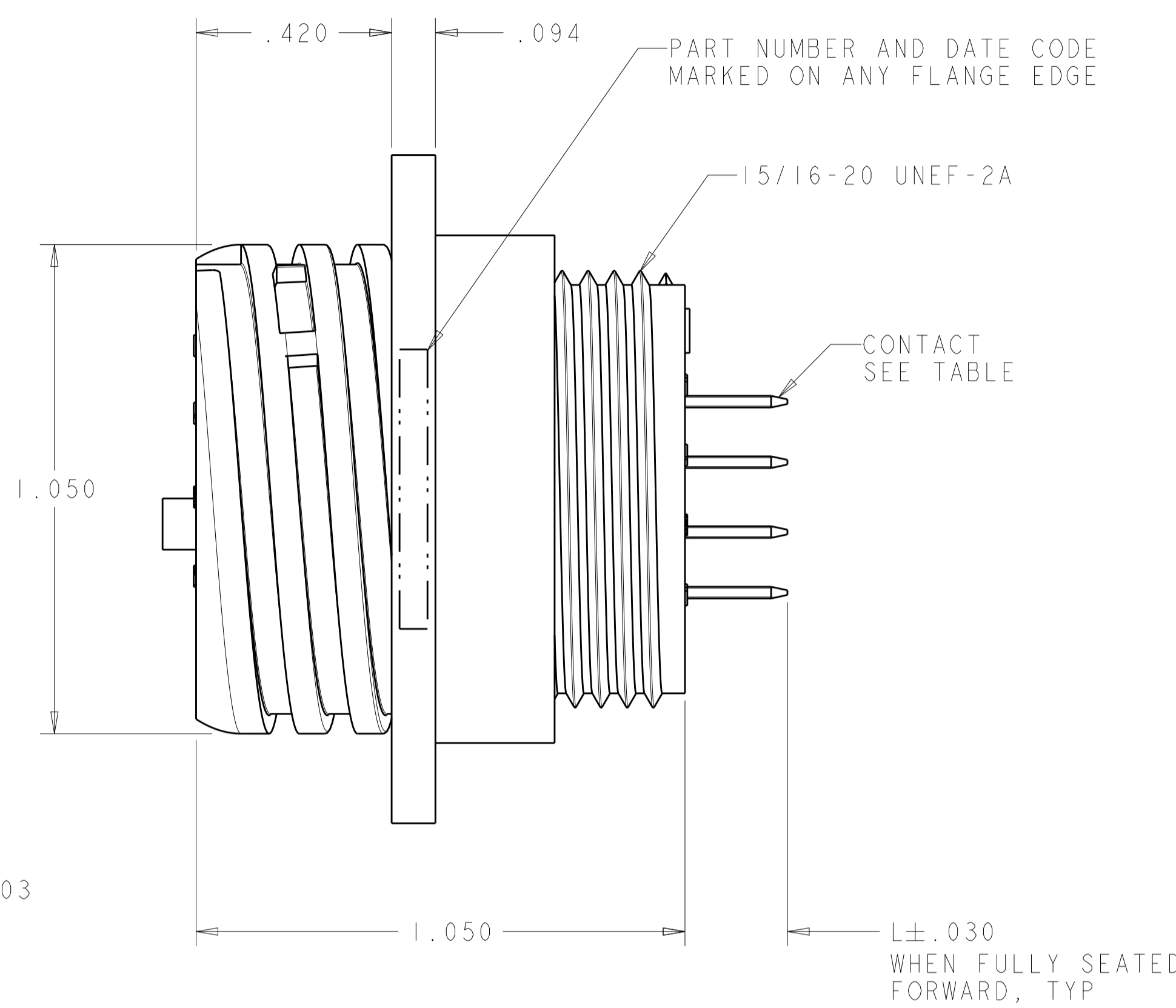
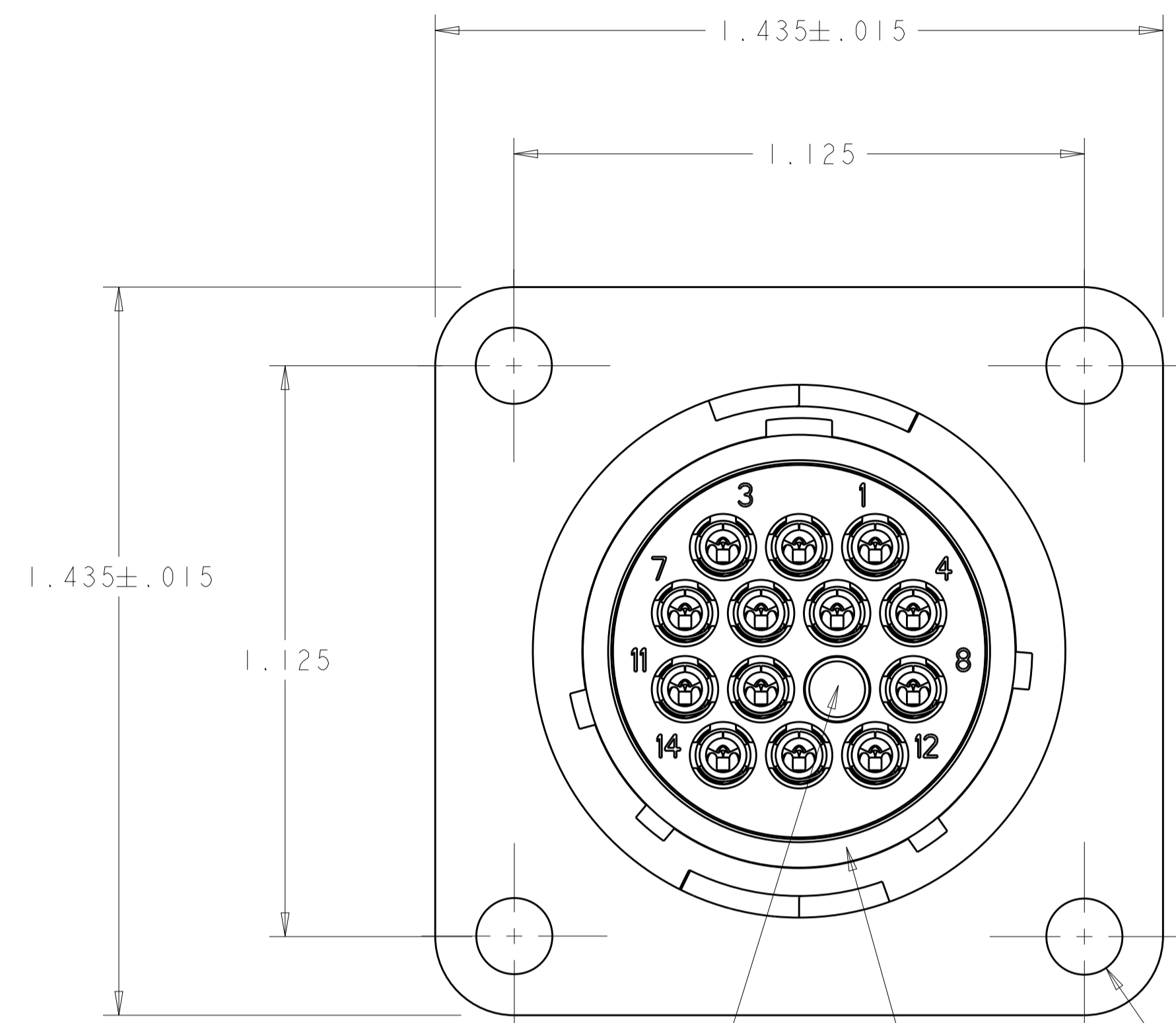
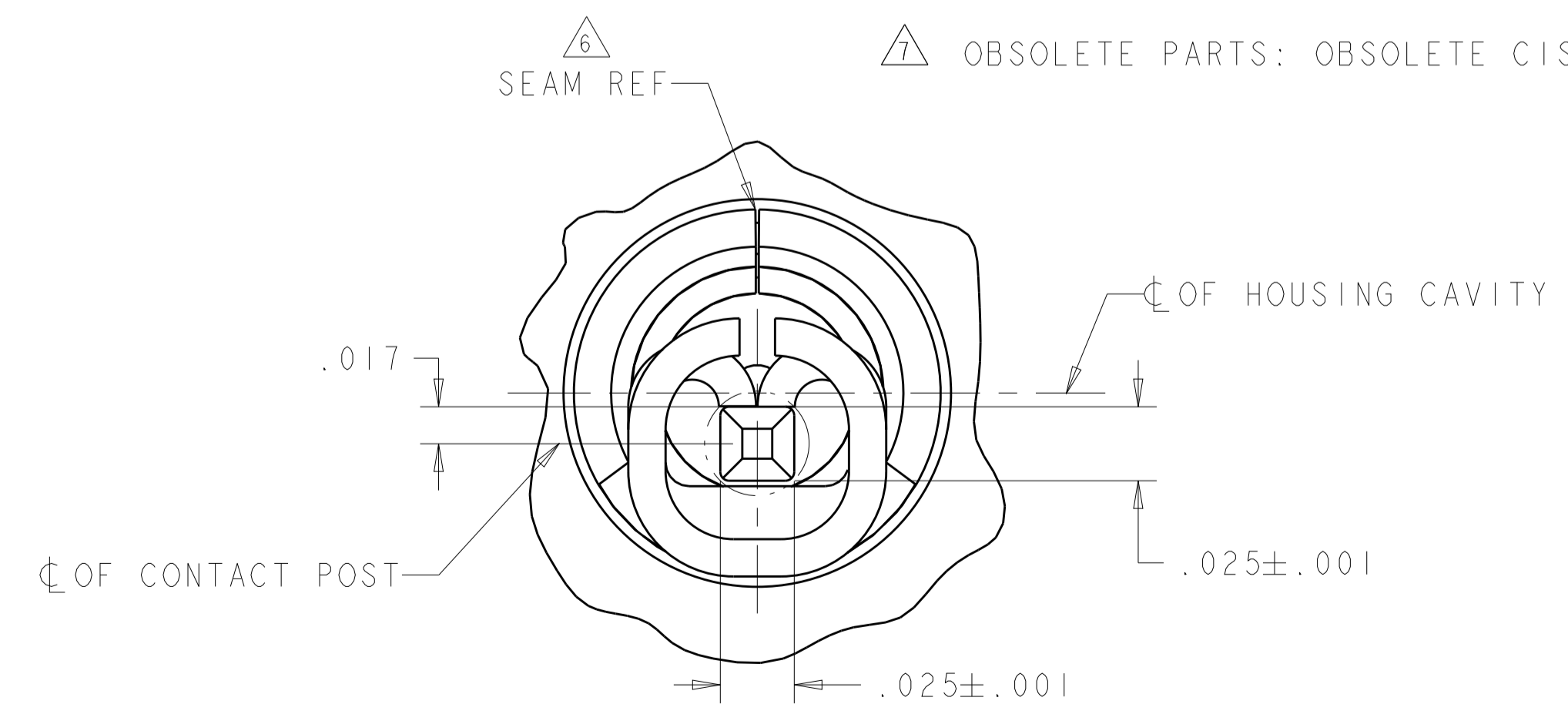


REVISIONS				
P.	LTN	DESCRIPTION	DATE	OWN APVD
R1		REVISED PER ECO-16-004800	10SEP2016	NK MZ
S		REVISED PER ECO-16-018356	23MAR2017	RS MZ



KEYING PLUG SEE TABLE  
 PERIPHERAL SEAL SEE TABLE  
 Ø .150±.003 4 PLC

- 1 HOUSING: NYLON, UL 94 V-0 RATED, BLACK.
- 2 CONTACT:  
 BODY - BRASS, .000100 MIN TIN-LEAD OVER .000050 MIN NICKEL.  
 POST - BRASS, .000100 MIN TIN-LEAD OVER .000050 MIN NICKEL.
- 3 CONTACT:  
 BODY - BRASS, .000100 MIN TIN OVER .000050 MIN NICKEL.  
 POST - BRASS, .000100 MIN TIN OVER .000050 MIN NICKEL.
- 4 PERIPHERAL SEAL: ELASTOMER, GRAY.
- 5 KEYING PLUG: NYLON, NATURAL.
- 6 .009 MAXIMUM CONTACT LEAD-IN SEAM GAP PERMISSIBLE ON MATING FACE END.
- 7 OBSOLETE PARTS: OBSOLETE CIS STREAMLINING PER D.RENAUD/D.SINISI



DETAIL V  
 SCALE 20:1

STATUS	L	KEYING PLUG	PERIPHERAL SEAL	FINISH	QTY	SELECT LOAD IN POSITIONS	PART NUMBER
OBSOLETE	.368	-	YES	3	13	1-5, 7-14	213825-8
	.220	-	YES	3	14	ALL	1-213825-7
OBSOLETE	.220	POSN 9	YES	3	11	1, 3, 4, 6, 8-14	213825-6
OBSOLETE	.220	-	YES	3	13	1-8, 10-14	213825-5
OBSOLETE	.220	-	YES	3	13	1-5, 7-14	213825-4
OBSOLETE	.557	-	NO	2	12	1, 2, 4, 5, 7-14	213825-3
OBSOLETE	.220	POSN 9	YES	2	13	1-8, 10-14	1-213825-2
OBSOLETE	.368	-	YES	2	13	1-5, 7-14	213825-1
OBSOLETE	.220	-	YES	2	13	1-5, 7-14	1-213825-0
OBSOLETE	.220	-	YES	2	11	1, 3, 4, 6, 8-14	213825-9
OBSOLETE	.220	POSN 9	YES	2	13	1-8, 10-14	213825-5
OBSOLETE	.368	-	YES	2	13	1-5, 7-14	213825-4
OBSOLETE	.220	-	YES	2	13	1-5, 7-14	213825-3
OBSOLETE	.220	-	YES	2	11	1, 3, 4, 6, 8-14	213825-2
OBSOLETE	.220	-	YES	2	14	ALL	213825-1

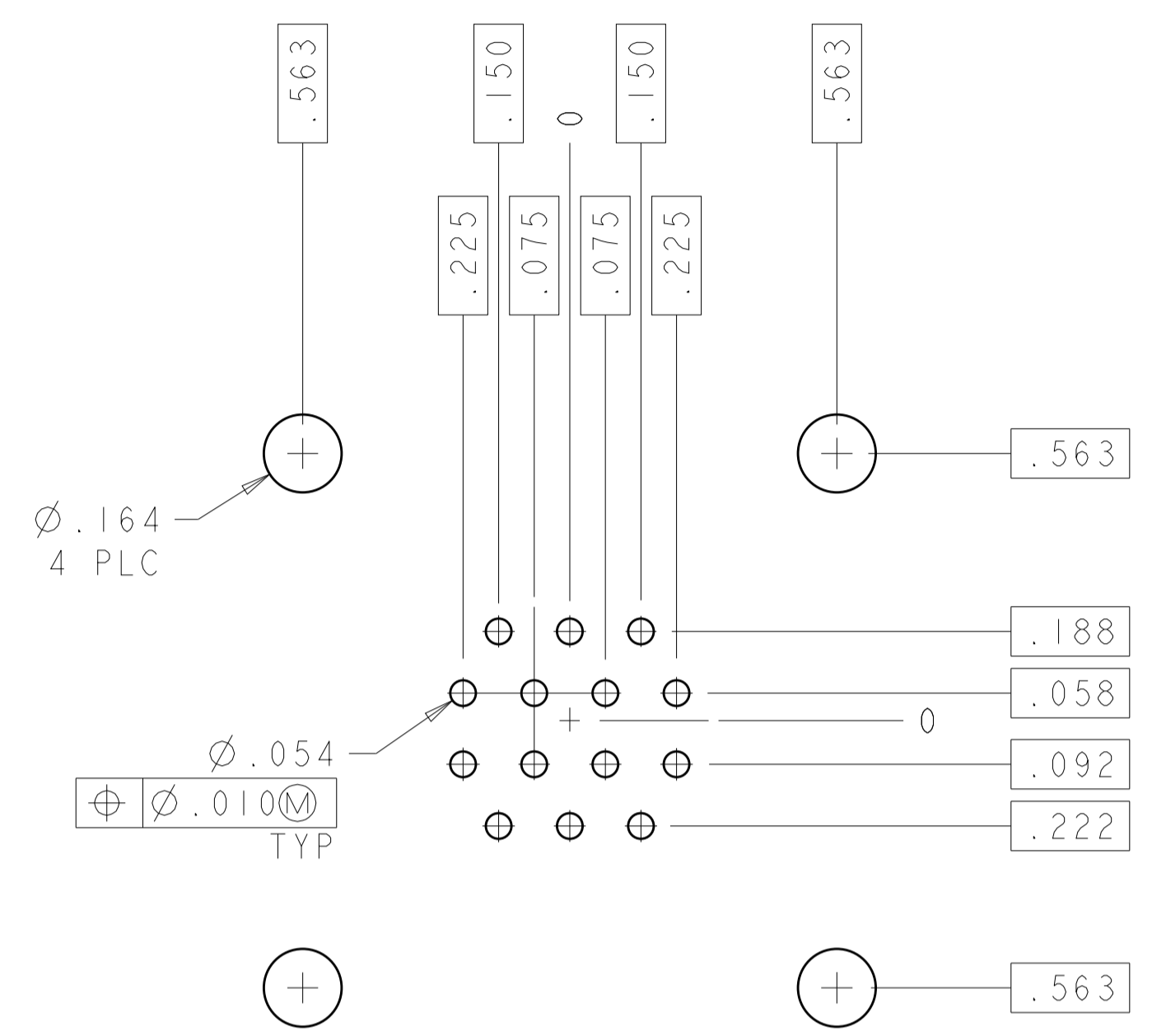
THIS DRAWING IS A CONTROLLED DOCUMENT. OWN: S. WELDON 23MAY2003  
 CH: S. HEADER 23MAY2003  
 APVD: S. HEADER 23MAY2003

**STE** TE Connectivity

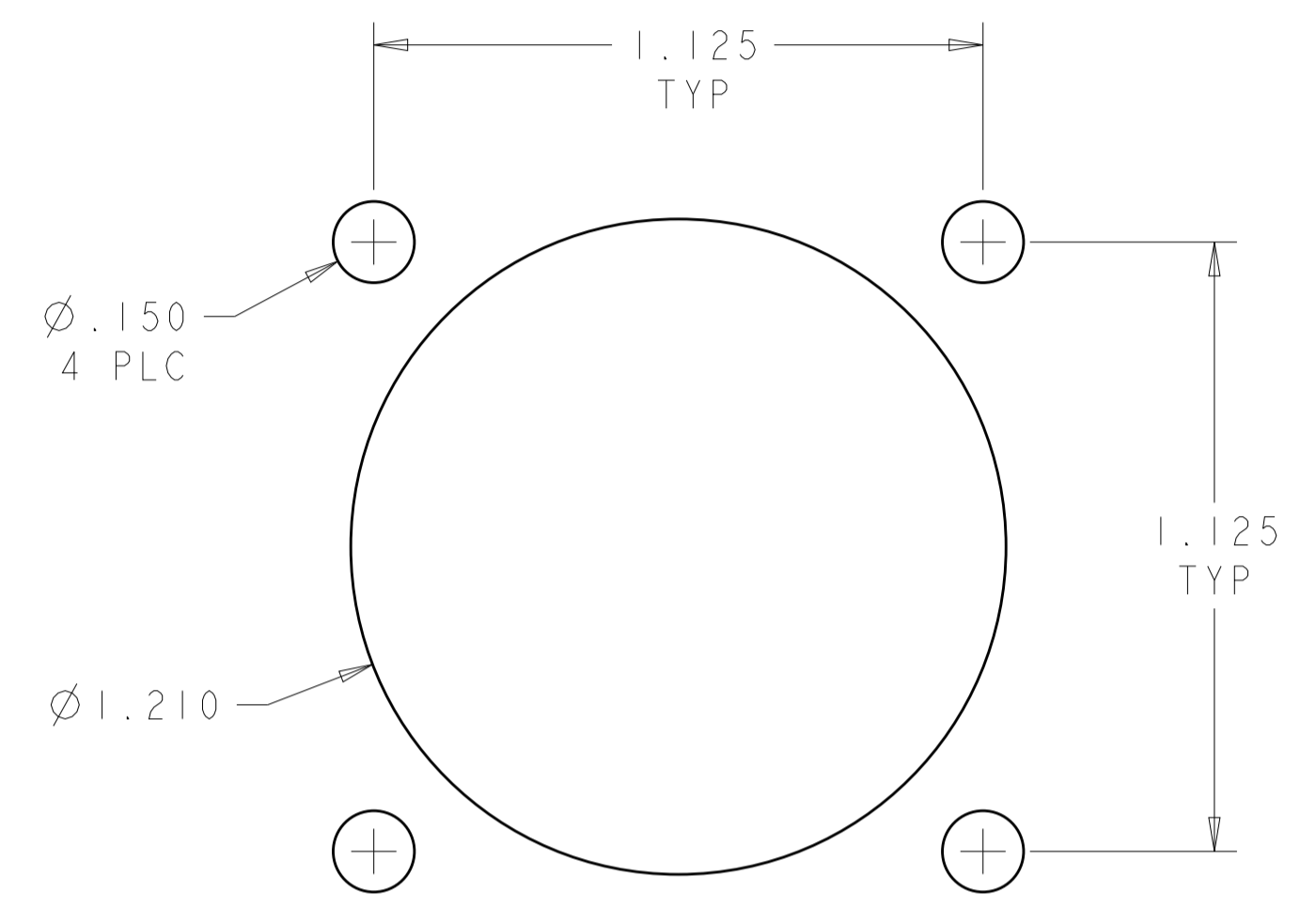
RECEPTACLE ASSEMBLY, POSTED, SERIES 1, REVERSE SEX, CPC

SIZE: A1 00779 C=213825  
 SCALE: 4:1 SHEET 1 OF 2 REV S

REVISIONS				
P.	LTN	DESCRIPTION	DATE	APVD
-	-	SEE SHEET 1	-	-



RECOMMENDED PC BOARD LAYOUT  
 SCALE 3:1



RECOMMENDED PANEL LAYOUT  
 .125 MAX PANEL THICKNESS  
 SCALE 3:1

THIS DRAWING IS A CONTROLLED DOCUMENT.		DWN S. WELDON 23MAY2003	TE Connectivity
DIMENSIONS: INCHES		CHK S. HEADER 23MAY2003	
		APVD S. HEADER 23MAY2003	NAME RECEPTACLE ASSEMBLY, POSTED, SERIES 1, REVERSE SEX, CPC
TOLERANCES UNLESS OTHERWISE SPECIFIED:		PRODUCT SPEC	RESTRICTED TO
0 PLC ±0	1 PLC ±0	APPLICATION SPEC	SIZE CAGE CODE DRAWING NO
2 PLC ±0	3 PLC ±0	WEIGHT	A100779C=213825
4 PLC ±0.010	ANGLES ±0	CUSTOMER DRAWING	SCALE 4:1 SHEET 2 OF 2 REV S