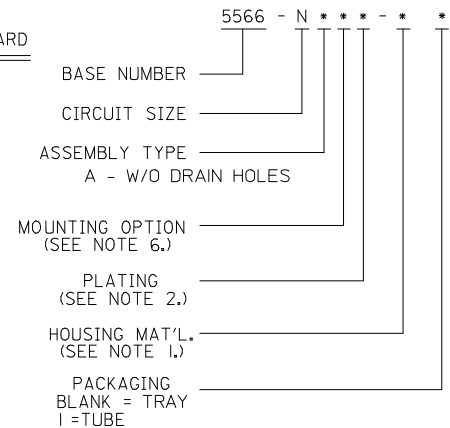


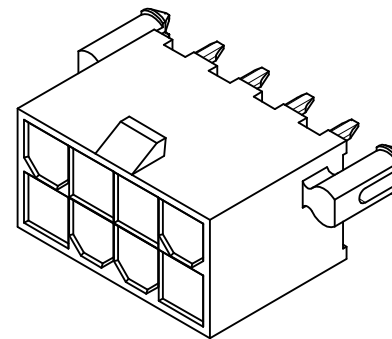
CIRCUIT SIZE	DIM. "A"	DIM. "B"	DIM. "C"
2	—	.21 (5.4)	.370 (9.40)
4	.17 (4.2)	.38 (9.6)	.535 (13.60)
6	.33 (8.4)	.54 (13.8)	.701 (17.80)
8	.50 (12.6)	.71 (18.0)	.866 (22.00)
10	.66 (16.8)	.87 (22.2)	1.031 (26.20)
12	.83 (21.0)	1.04 (26.4)	1.197 (30.40)
14	.99 (25.2)	1.20 (30.6)	1.362 (34.60)
16	1.16 (29.4)	1.37 (34.8)	1.528 (38.80)
18	1.32 (33.6)	1.54 (39.0)	1.693 (43.00)
20	1.49 (37.8)	1.70 (43.2)	1.858 (47.20)
22	1.65 (42.0)	1.87 (47.4)	2.024 (51.40)
24	1.82 (46.2)	2.03 (51.6)	2.189 (55.60)

LEGEND:



NOTES:

- HOUSING MATERIAL:
"BLANK" - NYLON 6/6, UNFILLED U.L. 94V-2, COLOR: NATURAL.
210 - NYLON 6/6, UNFILLED U.L. 94V-0, COLOR: NATURAL.
BL - NYLON 6/6, UNFILLED U.L. 94V-2, COLOR: BLACK.
400 - NYLON 6/6, UNFILLED U.L. 94V-0, COLOR: BLACK.
TERMINAL MATERIAL: BRASS
- TERMINAL PLATING:
MS = .000100/(.00254) MIN. MATTE TIN OVER
.000050/(.00127) MIN. NICKEL OVERALL.
- PRODUCT SPECIFICATION : SEE PS-5556-001
- PACKAGING: SEE CHARTS
- PART MATES WITH MINI-FIT JR. RECEPTACLE #5557.
- MOUNTING OPTIONS (SEE CHARTS):
"BLANK" - NO PEGS
2 - PEG MOUNT
- THIS PART CONFORMS TO CLASS B REQUIREMENTS OF COSMETIC SPECIFICATION PS-45499-002.
- ANTI-SHINGLING RIB WILL APPEAR ON ALL HOUSINGS MOLDED AFTER 1-1-96.
- CONNECTORS ARE NOT TO BE MATED OR UNMATED WHILE CIRCUITS ARE LIVE.
- PART IS NOT DESIGNED FOR CURRENT SHARING.



REV	DESCRIPTION	QUALITY SYMBOLS	GENERAL TOLERANCES (UNLESS SPECIFIED)		DIMENSION STYLE		SCALE	DESIGN UNITS	THIRD ANGLE PROJECTION
			mm	INCH	IN/MM	DATE			
A10	ADD MS P/N'S EC NO: UCP2014-1674 DRW: NGUYEN 2013/10/15 CHKD: JELL 2013/10/15 APPR: FSMITH 2013/10/22	▽=0 ▽=0 ▽=0	4 PLACES ± .015	± .015	IN/MM	DATE	4:1	METRIC	MINI-FIT JR. VERTICAL HEADER ASSEMBLIES WITH MOUNTING PEGS
			3 PLACES ± .015	± .015		AD RATNOL 2006/01/17			molex
			2 PLACES ± 0.38	± .020		GPOLGAR 2006/01/17			
			1 PLACE ± .050	± .015		APPROVED BY FSMITH 2011/12/09			SD-5566-222
			0 PLACE ±	±					SHEET NO. 1 OF 2
			ANGULAR ±1/2°		MATERIAL NO. SEE SHEET 2		DOCUMENT NO.		
			DRAFT WHERE APPLICABLE MUST REMAIN WITHIN DIMENSIONS		SIZE C		THIS DRAWING CONTAINS INFORMATION THAT IS PROPRIETARY TO MOLEX INCORPORATED AND SHOULD NOT BE USED WITHOUT WRITTEN PERMISSION		

PLATING:				MS - PER NOTE 2			
DRAIN HOLES:				WITHOUT DRAIN HOLES			
MTG. OPTION:				WITHOUT PEGS			
HOUSING MAT'L:				NYLON 6/6 94V-2 NATURAL			
PACKAGING:				PK-5566-001			
PART NO.	ENG NO.	CKTS		PART NO.	ENG NO.	CKTS	
46999-0126	5566-02AMS	02		46999-0138	5566-02AMS-210	02	
46999-0127	5566-04AMS	04		46999-0139	5566-04AMS-210	04	
46999-0128	5566-06AMS	06		46999-0140	5566-06AMS-210	06	
46999-0129	5566-08AMS	08		46999-0141	5566-08AMS-210	08	
46999-0130	5566-10AMS	10		46999-0142	5566-10AMS-210	10	
46999-0131	5566-12AMS	12		46999-0143	5566-12AMS-210	12	
46999-0132	5566-14AMS	14		46999-0144	5566-14AMS-210	14	
46999-0133	5566-16AMS	16		46999-0145	5566-16AMS-210	16	
46999-0134	5566-18AMS	18		46999-0146	5566-18AMS-210	18	
46999-0135	5566-20AMS	20		46999-0147	5566-20AMS-210	20	
46999-0136	5566-22AMS	22		46999-0148	5566-22AMS-210	22	
46999-0137	5566-24AMS	24		46999-0149	5566-24AMS-210	24	

PLATING:				MS - PER NOTE 2			
DRAIN HOLES:				WITHOUT DRAIN HOLES			
MTG. OPTION:				WITHOUT PEGS			
HOUSING MAT'L:				NYLON 6/6 94V-0 NATURAL			
PACKAGING:				PK-5566-001			
PART NO.	ENG NO.	CKTS		PART NO.	ENG NO.	CKTS	
46999-0138	5566-02AMS-210	02		46999-0139	5566-04AMS-210	04	
46999-0139	5566-04AMS-210	04		46999-0140	5566-06AMS-210	06	
46999-0140	5566-06AMS-210	06		46999-0141	5566-08AMS-210	08	
46999-0141	5566-08AMS-210	08		46999-0142	5566-10AMS-210	10	
46999-0142	5566-10AMS-210	10		46999-0143	5566-12AMS-210	12	
46999-0143	5566-12AMS-210	12		46999-0144	5566-14AMS-210	14	
46999-0144	5566-14AMS-210	14		46999-0145	5566-16AMS-210	16	
46999-0145	5566-16AMS-210	16		46999-0146	5566-18AMS-210	18	
46999-0146	5566-18AMS-210	18		46999-0147	5566-20AMS-210	20	
46999-0147	5566-20AMS-210	20		46999-0148	5566-22AMS-210	22	
46999-0148	5566-22AMS-210	22		46999-0149	5566-24AMS-210	24	
46999-0149	5566-24AMS-210	24					

PLATING:				MS - PER NOTE 2			
DRAIN HOLES:				WITHOUT DRAIN HOLES			
MTG. OPTION:				WITHOUT PEGS			
HOUSING MAT'L:				NYLON 6/6 94V-0 BLACK			
PACKAGING:				PK-5566-001			
PART NO.	ENG NO.	CKTS		PART NO.	ENG NO.	CKTS	
46999-0564	5566-02AMS-400	02		46999-0565	5566-04AMS-400	04	
46999-0565	5566-04AMS-400	04		46999-0566	5566-06AMS-400	06	
46999-0566	5566-06AMS-400	06		46999-0567	5566-08AMS-400	08	
46999-0567	5566-08AMS-400	08		46999-0568	5566-10AMS-400	10	
46999-0568	5566-10AMS-400	10		46999-0569	5566-12AMS-400	12	
46999-0569	5566-12AMS-400	12		46999-0570	5566-14AMS-400	14	
46999-0570	5566-14AMS-400	14		46999-0571	5566-16AMS-400	16	
46999-0571	5566-16AMS-400	16		46999-0572	5566-18AMS-400	18	
46999-0572	5566-18AMS-400	18		46999-0573	5566-20AMS-400	20	
46999-0573	5566-20AMS-400	20		46999-0574	5566-22AMS-400	22	
46999-0574	5566-22AMS-400	22		46999-0575	5566-24AMS-400	24	
46999-0575	5566-24AMS-400	24					

PLATING:				MS - PER NOTE 2			
DRAIN HOLES:				WITHOUT DRAIN HOLES			
MTG. OPTION:				WITH PEGS			
HOUSING MAT'L:				NYLON 6/6 94V-2 NATURAL			
PACKAGING:				PK-5566-001			
PART NO.	ENG NO.	CKTS		PART NO.	ENG NO.	CKTS	
46999-0612	5566-02A2MS	02		46999-0501	5566-04A2MS	04	
46999-0501	5566-04A2MS	04		50-34-8559	5566-06A2MS	06	
50-34-8559	5566-06A2MS	06		46999-0613	5566-08A2MS	08	
46999-0613	5566-08A2MS	08		46999-0614	5566-10A2MS	10	
46999-0614	5566-10A2MS	10		46999-0615	5566-12A2MS	12	
46999-0615	5566-12A2MS	12		46999-0616	5566-14A2MS	14	
46999-0616	5566-14A2MS	14		46999-0617	5566-16A2MS	16	
46999-0617	5566-16A2MS	16		46999-0618	5566-18A2MS	18	
46999-0618	5566-18A2MS	18		50-34-8560	5566-20A2MS	20	
50-34-8560	5566-20A2MS	20		46999-0619	5566-22A2MS	22	
46999-0619	5566-22A2MS	22		46999-0620	5566-24A2MS	24	
46999-0620	5566-24A2MS	24					

PLATING:				MS - PER NOTE 2			
DRAIN HOLES:				WITHOUT DRAIN HOLES			
MTG. OPTION:				WITH PEGS			
HOUSING MAT'L:				NYLON 6/6 94V-0 NATURAL			
PACKAGING:				PK-5566-001			
PART NO.	ENG NO.	CKTS		PART NO.	ENG NO.	CKTS	
46999-0621	5566-02A2MS-210	02		46999-0502	5566-04A2MS-210	04	
46999-0621	5566-02A2MS-210	02		50-34-8562	5566-06A2MS-210	06	
46999-0502	5566-04A2MS-210	04		50-34-8563	5566-08A2MS-210	08	
50-34-8562	5566-06A2MS-210	06		46999-0622	5566-10A2MS-210	10	
50-34-8563	5566-08A2MS-210	08		46999-0623	5566-12A2MS-210	12	
46999-0622	5566-10A2MS-210	10		50-34-8564	5566-14A2MS-210	14	
46999-0623	5566-12A2MS-210	12		46999-0624	5566-16A2MS-210	16	
50-34-8564	5566-14A2MS-210	14		50-34-8564	5566-18A2MS-210	18	
46999-0624	5566-16A2MS-210	16		50-36-2357	5566-20A2MS-210	20	
50-34-8564	5566-18A2MS-210	18		46999-0625	5566-22A2MS-210	22	
50-36-2357	5566-20A2MS-210	20		50-34-8566	5566-24A2MS-210	24	
46999-0625	5566-22A2MS-210	22					
50-34-8566	5566-24A2MS-210	24					

PLATING:				MS - PER NOTE 2			
DRAIN HOLES:				WITHOUT DRAIN HOLES			
MTG. OPTION:				WITH PEGS			
HOUSING MAT'L:				NYLON 6/6 94V-0 BLACK			
PACKAGING:				PK-5566-001			
PART NO.	ENG NO.	CKTS		PART NO.	ENG NO.	CKTS	
46999-0335	5566-02A2MS-400	02		46999-0336	5566-04A2MS-400	04	
46999-0335	5566-02A2MS-400	02		46999-0337	5566-06A2MS-400	06	
46999-0336	5566-04A2MS-400	04		46999-0338	5566-08A2MS-400	08	
46999-0337	5566-06A2MS-400	06		46999-0339	5566-10A2MS-400	10	
46999-0338	5566-08A2MS-400	08		46999-0340	5566-12A2MS-400	12	
46999-0339	5566-10A2MS-400	10		46999-0341	5566-14A2MS-400	14	
46999-0340	5566-12A2MS-400	12		46999-0342	5566-16A2MS-400	16	
46999-0341	5566-14A2MS-400	14		46999-0343	5566-18A2MS-400	18	
46999-0342	5566-16A2MS-400	16		46999-0344	5566-20A2MS-400	20	
46999-0343	5566-18A2MS-400	18		46999-0345	5566-22A2MS-400	22	
46999-0344	5566-20A2MS-400	20		46999-0346	5566-24A2MS-400	24	
46999-0345	5566-22A2MS-400	22					
46999-0346	5566-24A2MS-400	24					

SEE SHEET 1 EC NO: UCP2014-1674 DRAWN: NGUYEN CHKD: J.BELL APPR: FSMITH	2013/10/15 2013/10/15 2013/10/22	QUALITY SYMBOLS 	GENERAL TOLERANCES (UNLESS SPECIFIED)		DIMENSION STYLE	SCALE	DESIGN UNITS	THIRD ANGLE PROJECTION		
					IN/MM	1:1	METRIC			
					DRAWN BY	DATE	TITLE			
					CHECKED BY	DATE	MINI-FIT JR. VERTICAL HEADER ASSEMBLIES WITH MOUNTING PEGS			
		APPROVED BY		DATE	MATERIAL NO.		DOCUMENT NO.	SHEET NO.		
A10		DRAFT WHERE APPLICABLE MUST REMAIN WITHIN DIMENSIONS		DATE	SEE CHART		SD-5566-222	2 OF 2		
THIS DRAWING CONTAINS INFORMATION THAT IS PROPRIETARY TO MOLEX INCORPORATED AND SHOULD NOT BE USED WITHOUT WRITTEN PERMISSION										