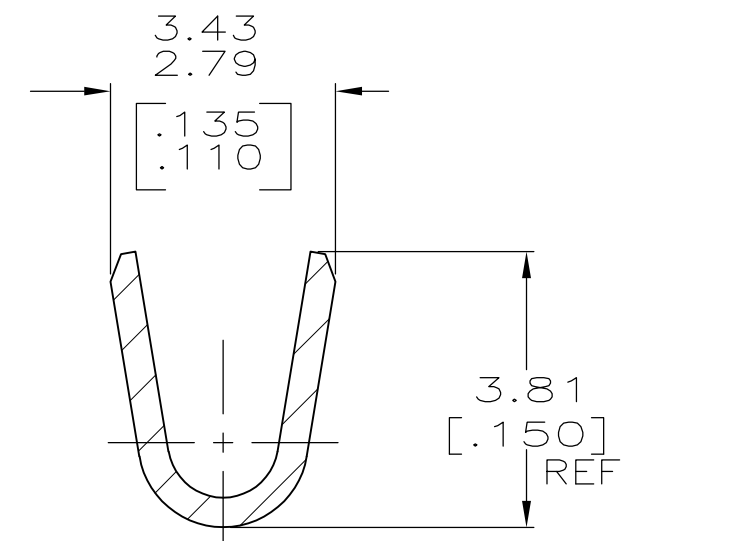
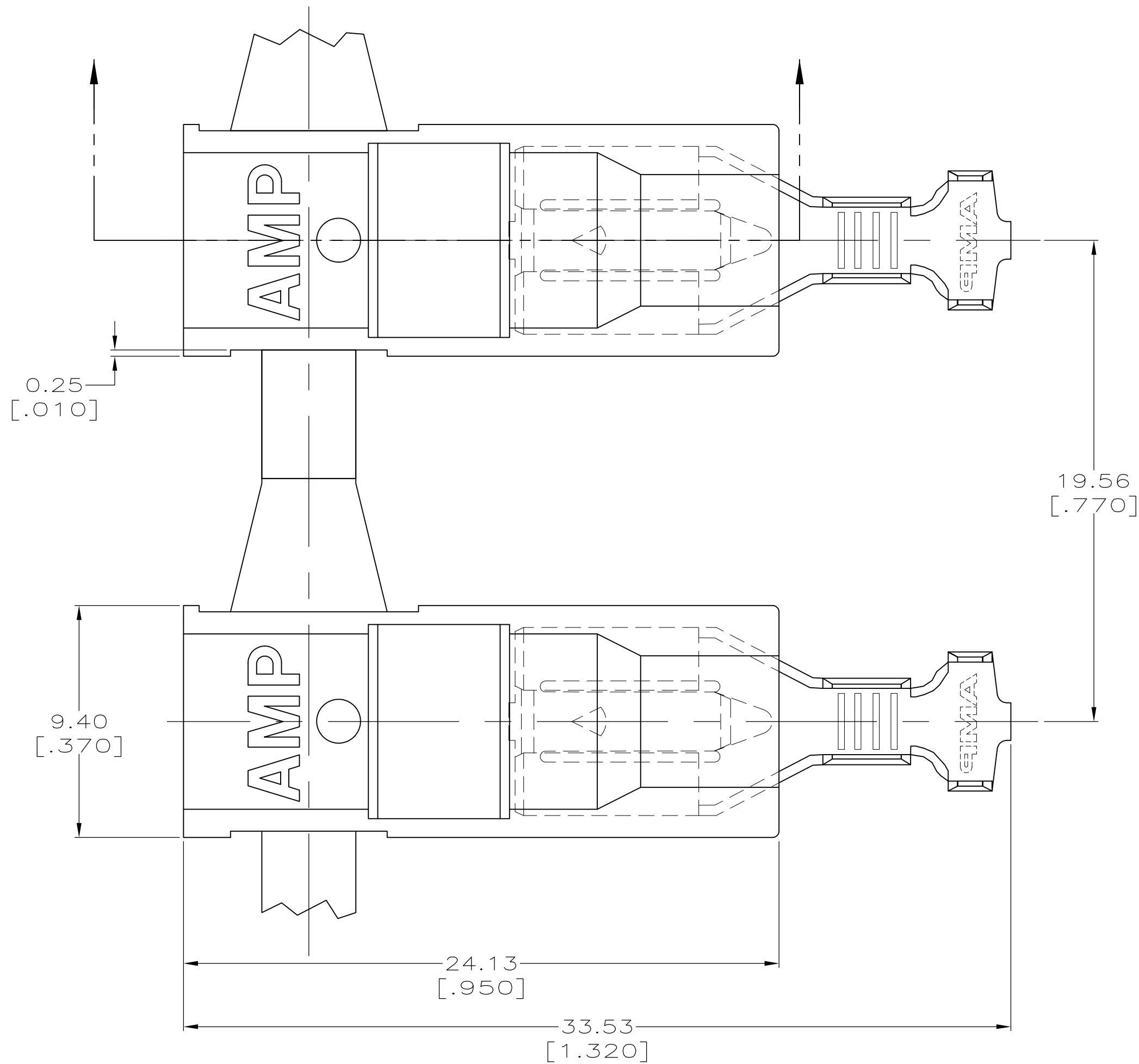


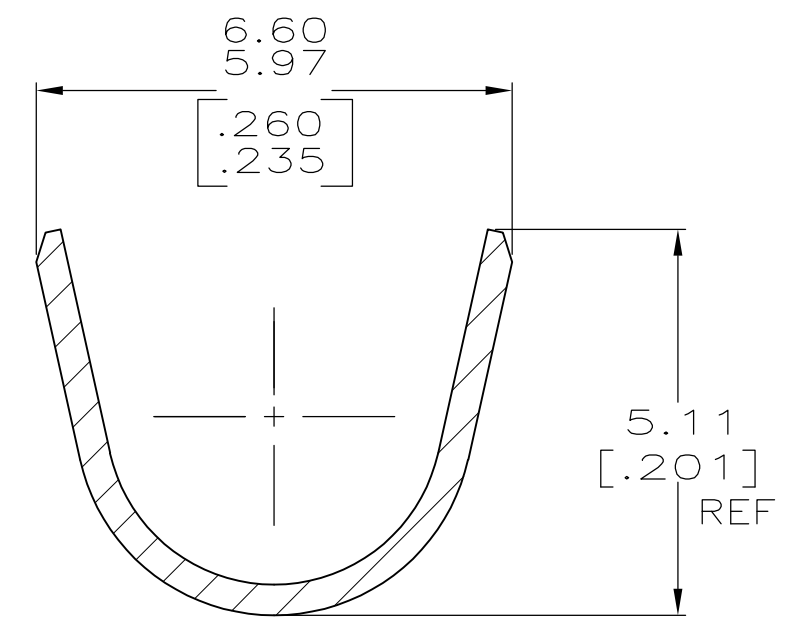
THIS DRAWING IS UNPUBLISHED. RELEASED FOR PUBLICATION  
 © COPYRIGHT - By - ALL RIGHTS RESERVED.

LOC		DIST		REVISIONS			
P	LTR	DESCRIPTION		DATE	DWN	APVD	
AF	50	C		REVISED PER ECR-12-013219	08JAN13	KH	KR

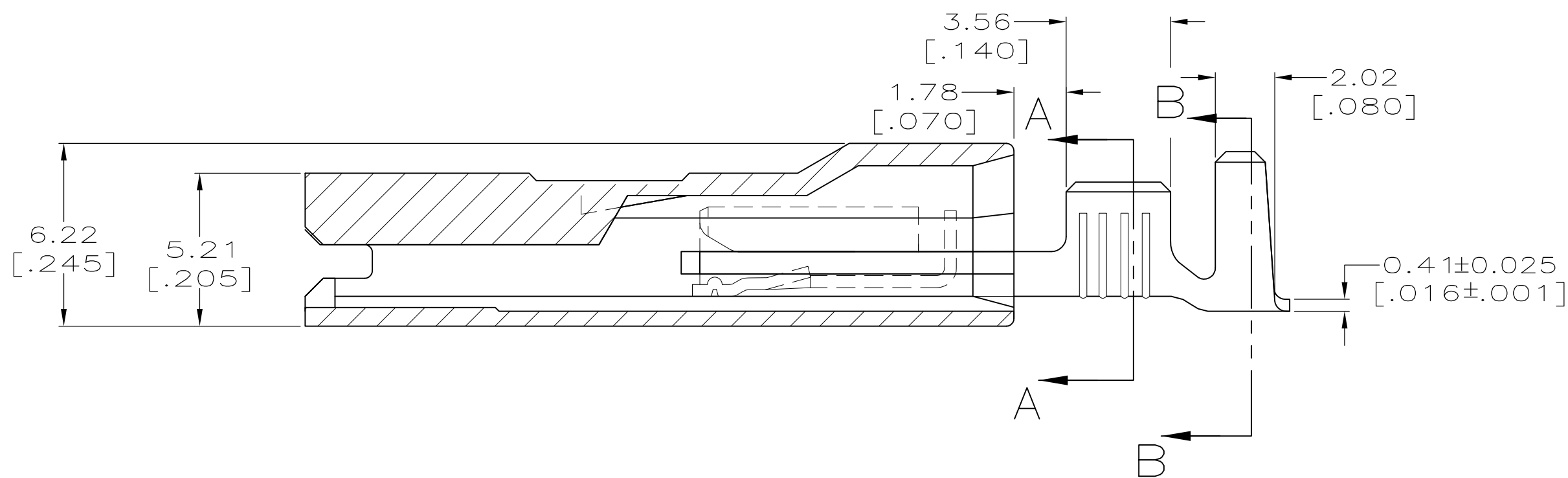
- 1 MATING TAB THK TO BE  $0.81 \pm 0.025$  [.032 ± .001]
- 2 TIN PLATE  $0.001016$  [.000040] MIN THK.
- 3 WIRE SIZE IS [#18-#14] AWG.
- 4 INSULATION RANGE IS 2.79-4.57 [.110-.180] DIA.  
 2.79-3.56 [.110-.140] DIA - CRIMP WIDTH 4.57 [.180], F TYPE  
 3.56-4.57 [.140-.180] DIA - CRIMP WIDTH 4.57 [.180], O TYPE



SECTION A-A  
SCALE 10:1



SECTION B-B  
SCALE 10:1



THIS DRAWING IS A CONTROLLED DOCUMENT.		DWN	JR RUTH	19JUN00	 TE Connectivity	NAME		ASSEMBLY, RECEPTACLE, ULTRA-POD, 6.35 [.250] SERIES				
DIMENSIONS: mm [INCHES]		CHK	MS FEHER	19JUN00		PRODUCT SPEC		SIZE	CAGE CODE	DRAWING NO		
TOLERANCES UNLESS OTHERWISE SPECIFIED:		APVD	J HUMMEL	19JUN00		APPLICATION SPEC		A2	00779	C=521317		
0 PLC	± -	MATERIAL		FINISH		WEIGHT	-	SCALE	5:1	SHEET	1 of 1	REV
1 PLC	± -	TERMINAL - BRASS		TERMINAL - SEE TABLE	CUSTOMER DRAWING		RESTRICTED TO					
2 PLC	± 0.25 [.010]	HOUSING - 6/6 VO NYLON		HOUSING - NATURAL								
3 PLC	± -											
4 PLC	± -											
ANGLES	± -											