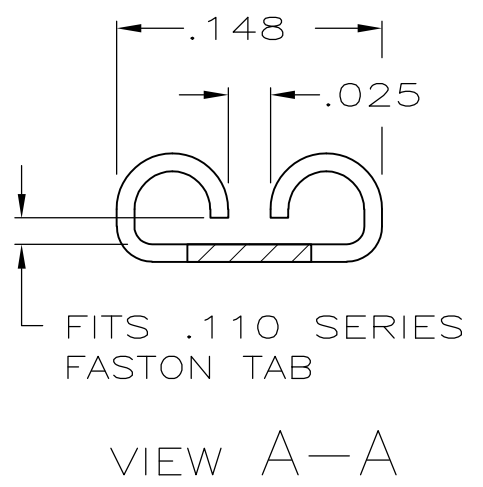
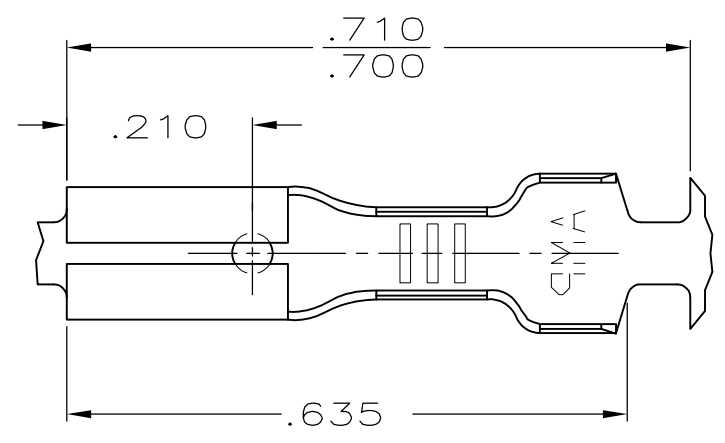
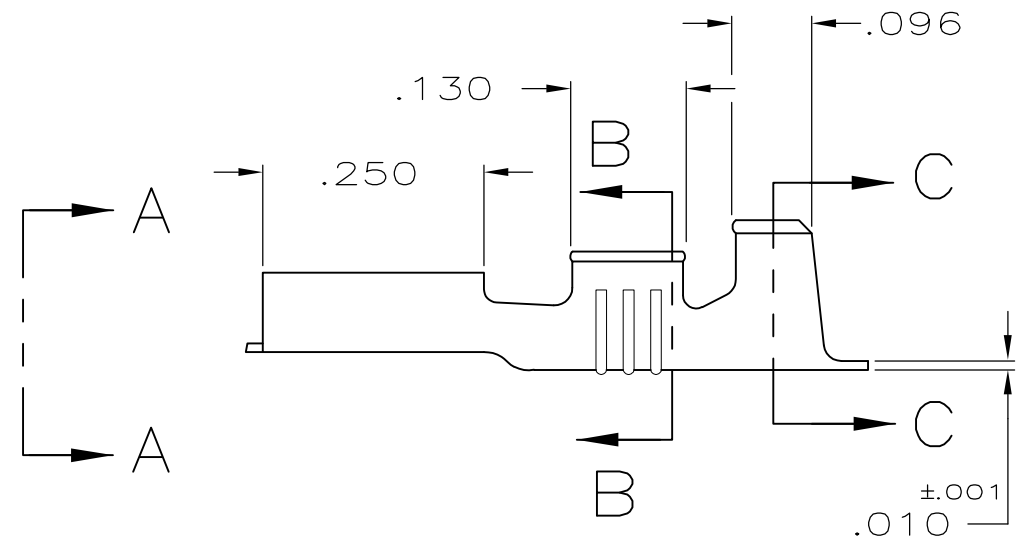
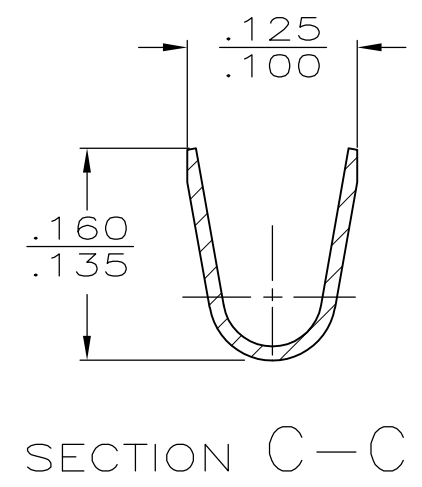
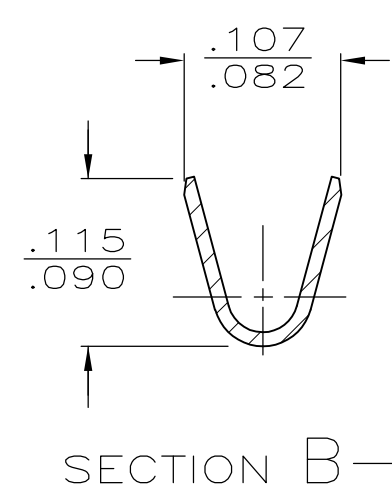


LOC	DIST	REVISIONS					
AF	50	P	LTR	DESCRIPTION	DATE	DWN	APVD
		AR		REVISED PER ECR-12-013445	18OCT12	KH	PD



- 1 CONTINUOUS STRIP ON REELS.
- 2 MATING TAB THK IS .032±.001.



.060-.100 DIA	#22-#18 AWG	PLAIN	60197-2
		PRE-TIN	60197-1
INSUL RANGE	WIRE SIZE	FINISH	PART NO

THIS DRAWING IS A CONTROLLED DOCUMENT.		DWN JR RUTH 6/23/87	<b>STE</b> TE Connectivity	
DIMENSIONS: mm[INCHES]		CHK G YETTER 6/23/87		
TOLERANCES UNLESS OTHERWISE SPECIFIED:		APVD C MEYERS 6/23/87	NAME RECEPTACLE, FASTON,™ .110 SERIES	
0 PLC ± -		PRODUCT SPEC	SIZE	
1 PLC ± -		APPLICATION SPEC	CAGE CODE	
2 PLC ± -			DRAWING NO	
3 PLC ± .015			RESTRICTED TO	
4 PLC ± -			A300779 C-60197	
ANGLES ± -		WEIGHT	SCALE	
MATERIAL BRASS	FINISH SEE TABLE		5:1	
		CUSTOMER DRAWING	SHEET 1 of 1	
			REV AR	