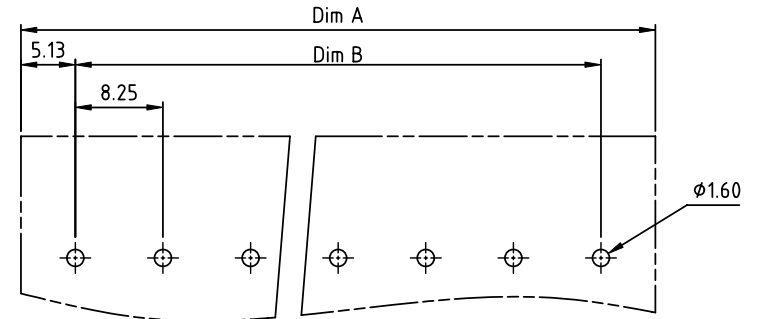
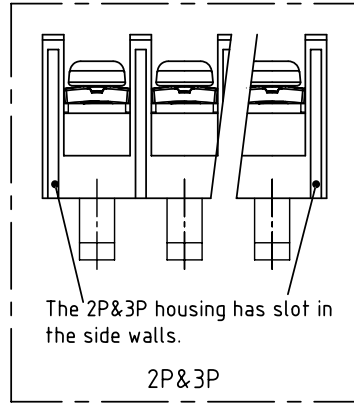
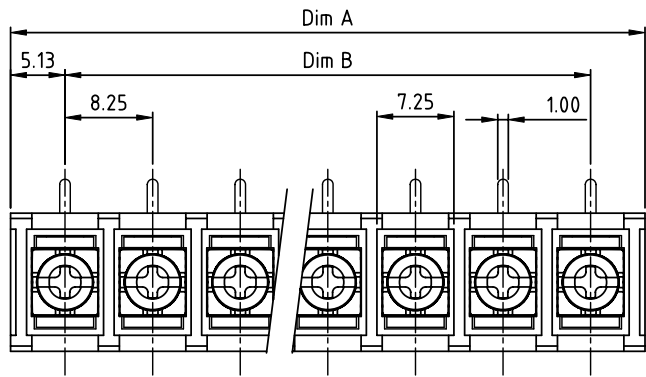
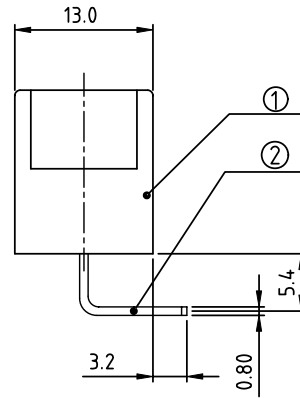
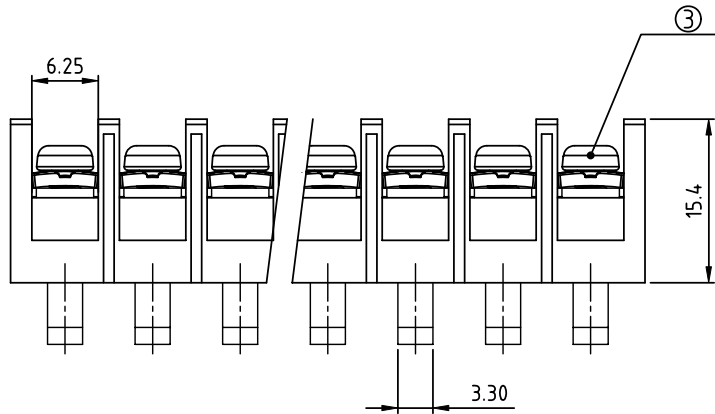


PRODUCT NUMBER	PITCH
YK401xx0x0JOG	8.25mm



RECOMMENDED P.C.B LAYOUT  
TOP VIEW



MATERIALS ELECTRICAL  
 RATED VOLTAGE & CURRENT: 300 V, 20 A  
 WITHSTAND VOLTAGE: AC 2000 V/Min  
 INSULATION RESISTANCE: 1000 M $\Omega$  OR MORE AT DC 500 V  
 OPERATING TEMPERATURE RANG: -40 °C ~ +115 °C  
 SCREW TORQUE VALUE: 7 Lb-In.  
 WIRE RANGE: 22 - 12 AWG  
 1) HOUSING: Thermoplastic , UL 94 V-0 BLACK  
 2) TERMINAL: BRASS, 0.8t  
 3) TERMINAL SCREWS: STEEL, M3  
 APPROVAL: US

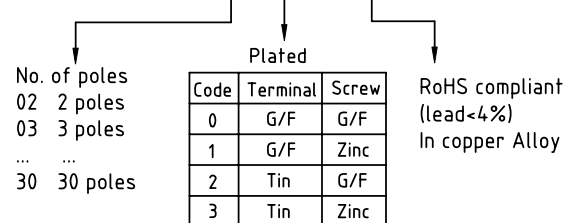
DIMENSION

Dim A	N $\times$ 8.25 $\pm$ 2.0
Dim B	(N-1) $\times$ 8.25

N=Number of poles

Poles	Tolerance
2p-4p	$\pm$ 0.30
5p-8p	$\pm$ 0.40
9p-16p	$\pm$ 0.50
17p-23p	$\pm$ 0.60
24p-30p	$\pm$ 0.80

PART NO.: YK 401xx 0 x 0 JOG



mat'l. code		surface ASME Y14.5	tolerance ASME Y14.5	projection 	product family TERMINAL BLOCK
ltr	ecn no	dr	date	tolerances unless otherwise specified	title TERMINAL BLOCK
				angles $\phi$ E	BARRIER TYPE
				X $\pm$ 1°	scale
				dr EVAN LU 061014	dwg no
				enr EVAN LU 061014	sheet 1 of 1
				chr HANKE FENG 061014	size A4
				appd SHI JUN 061014	YK401xx0x0JOG
					type CUSTOMER Drawing
sheet index	revision sheet	A	1		