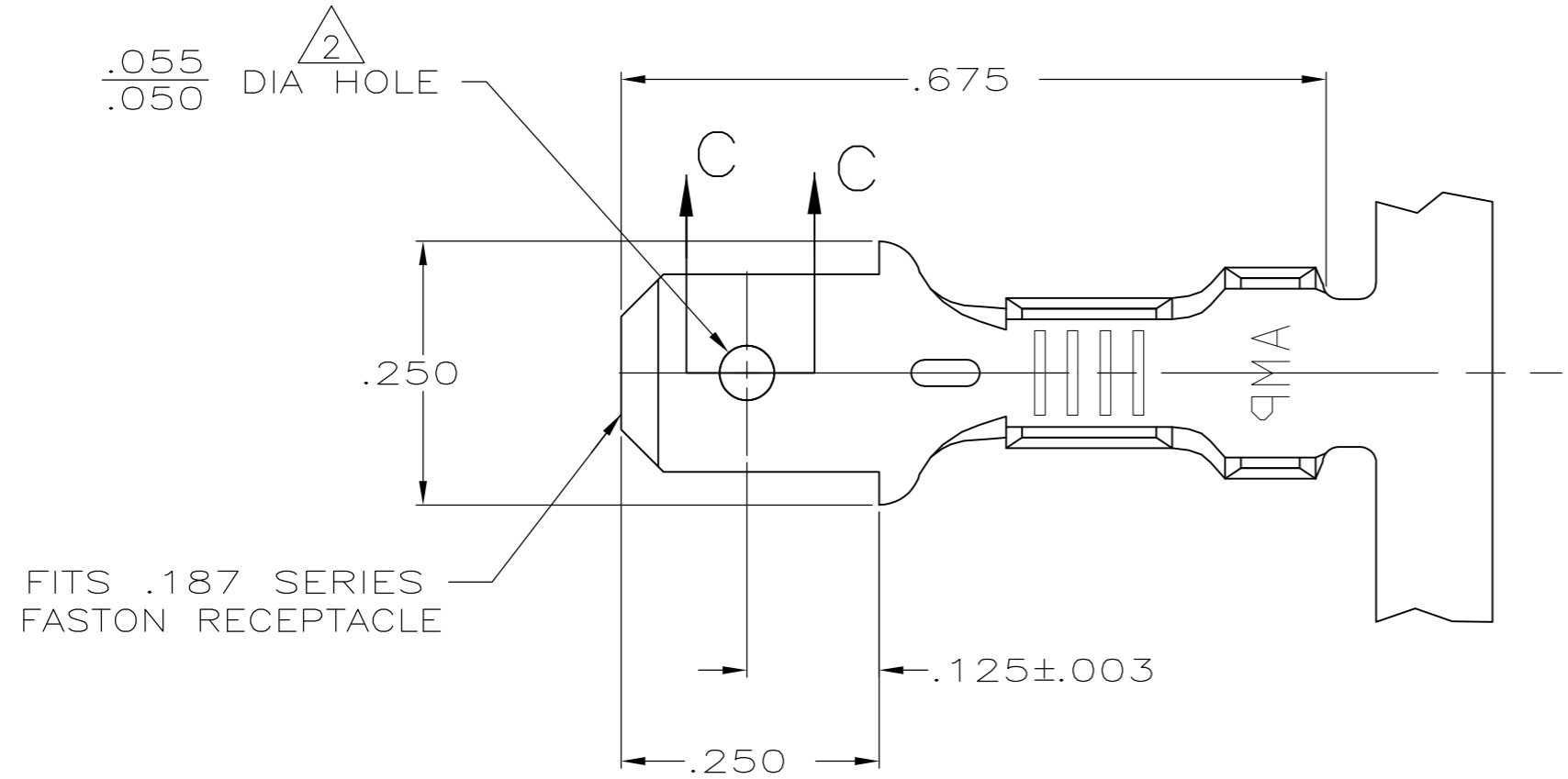


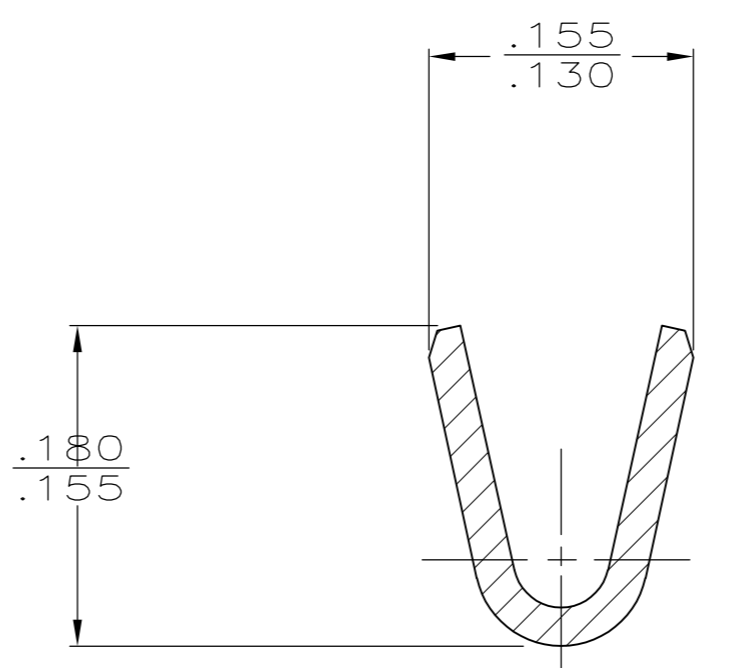
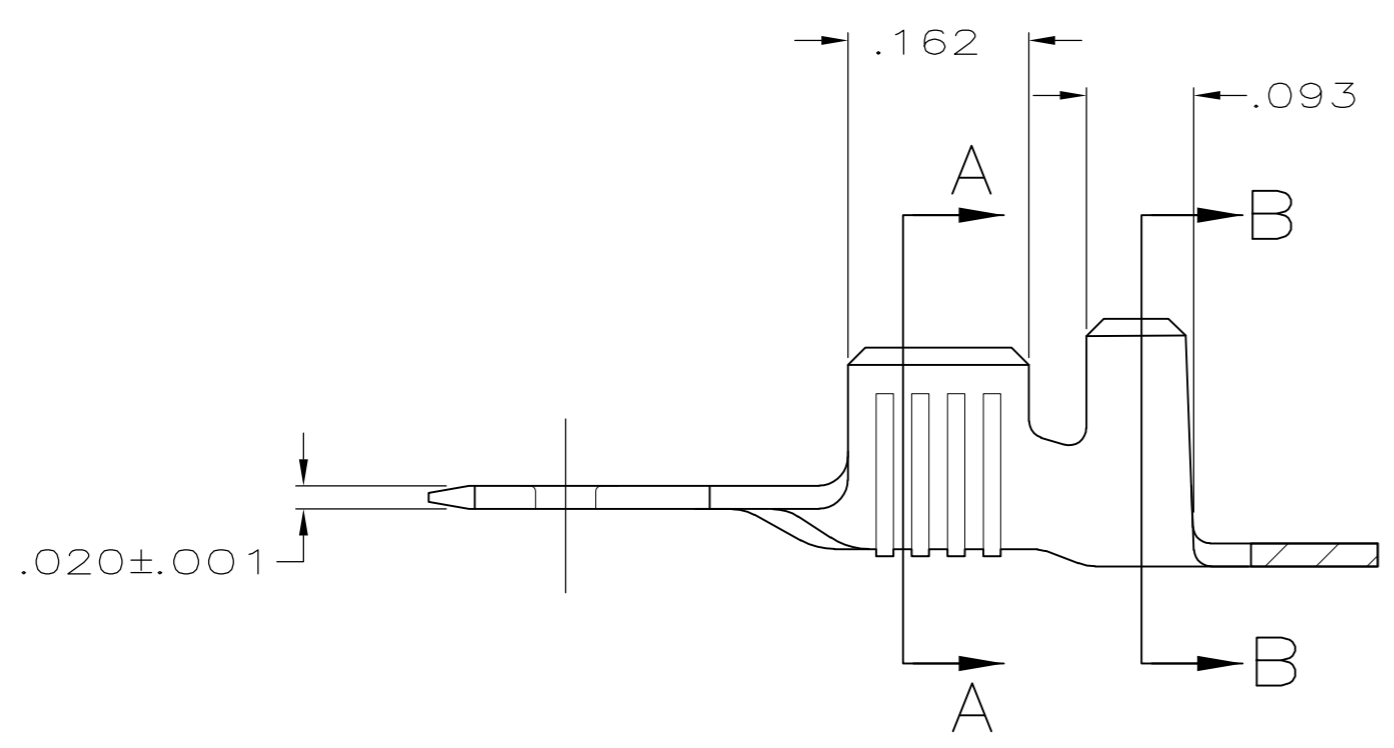
THIS DRAWING IS UNPUBLISHED. RELEASED FOR PUBLICATION  
 © COPYRIGHT BY TYCO ELECTRONICS CORPORATION. ALL INTERNATIONAL RIGHTS RESERVED.

LOC	DIST	REVISIONS					
AF	50	P	LTR	DESCRIPTION	DATE	DWN	APVD
		M		REVISED PER ECR-10-004058	08JUN10	HMR	PD

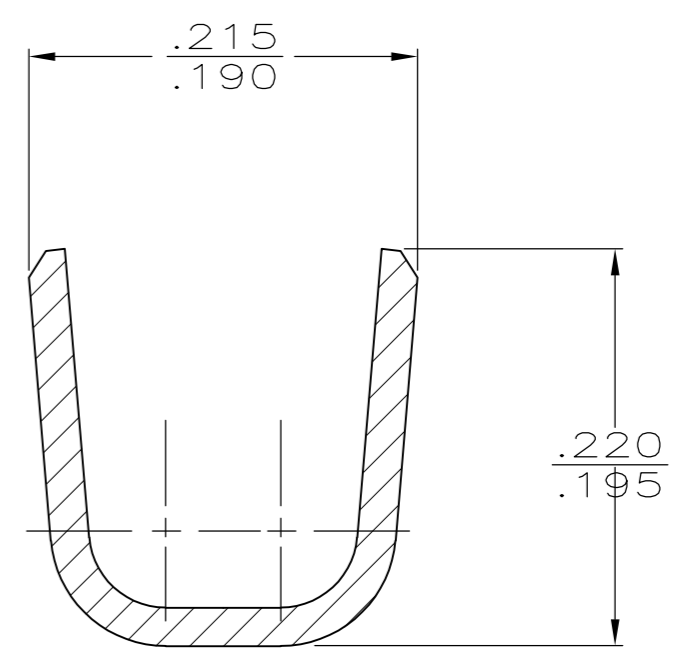


FITS .187 SERIES FASTON RECEPTACLE

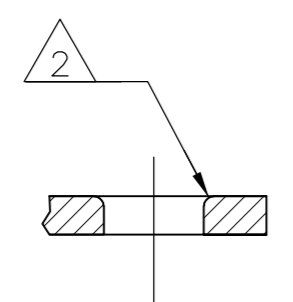
1. CONTINUOUS STRIP ON REEL
2. NO BURRS PERMISSIBLE AT HOLE. .005 MAX RADIUS PERMISSIBLE ON TOP.



SECTION A-A  
SCALE 10:1



SECTION B-B  
SCALE 10:1



SECTION C-C  
SCALE 10:1

TIN	.120-.150	18-14	60850-2
FINISH	.120-.150	18-14	60850-1
INSULATION RANGE	WIRE RANGE	PART NO	

0	.180	.218	F	.110	.085	14	THIS DRAWING IS A CONTROLLED DOCUMENT.
					.076	16	
					.071	18	
TYPE	WIDTH	STRIP LENGTH ±.015	TYPE	WIDTH	±.002 HEIGHT	WIRE	DIMENSIONS: INCHES
INSUL BARREL CRIMP			WIRE BARREL CRIMP				TOLERANCES UNLESS OTHERWISE SPECIFIED: 0 PLC ± - 1 PLC ± - 2 PLC ± - 3 PLC ± .015 4 PLC ± - ANGLES ± -
							MATERIAL #2 HARD BRASS

**Tyco Electronics** Tyco Electronics Corporation  
Harrisburg, PA 17105-3608

NAME: C MEYERS  
 PRODUCT SPEC: -  
 APPLICATION SPEC: -  
 WEIGHT: -

SIZE: A2 CAGE CODE: 00779 DRAWING NO: C=60850 RESTRICTED TO: -  
 SCALE: 6:1 SHEET: 1 of 1 REV: M