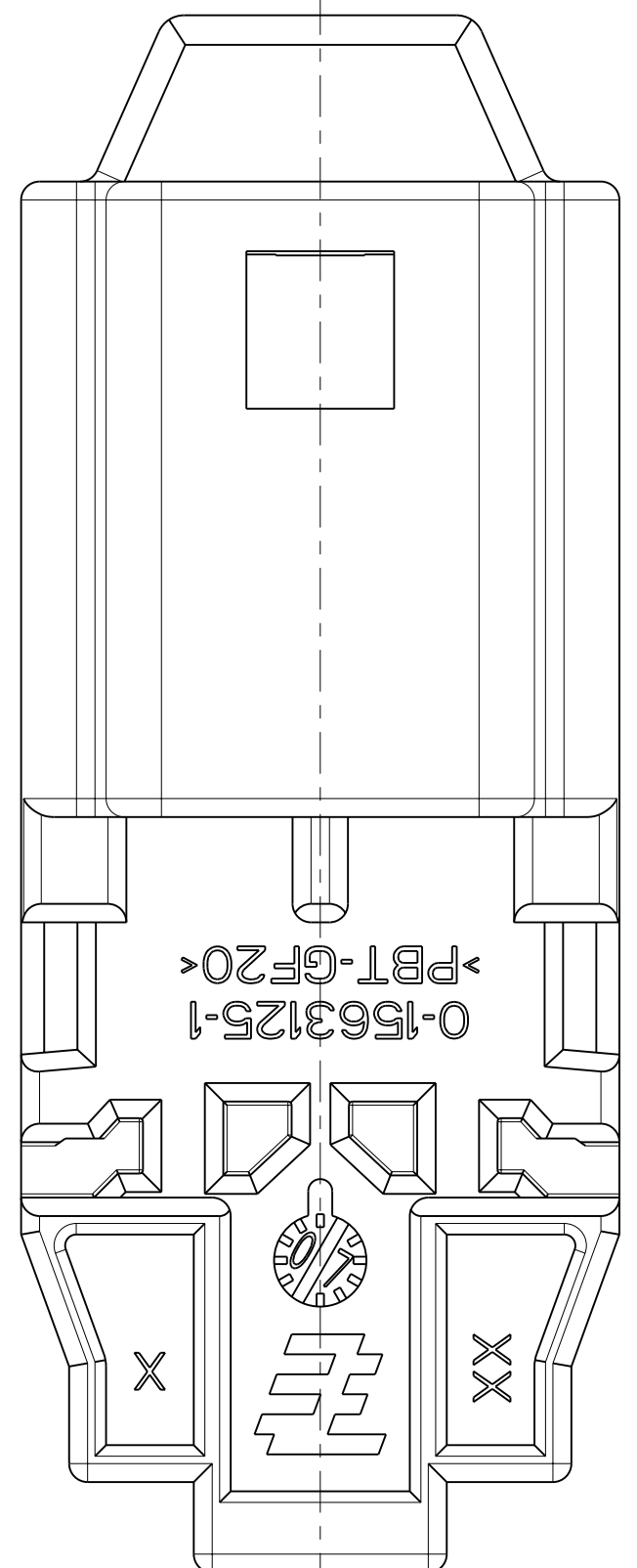
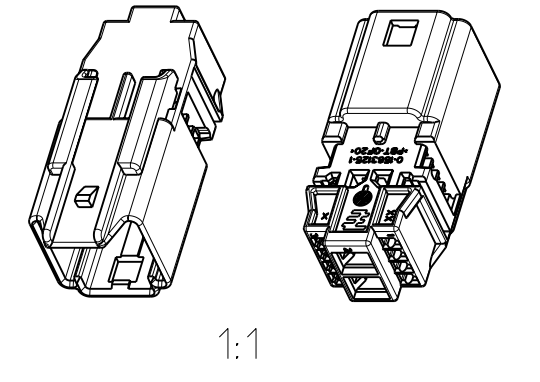
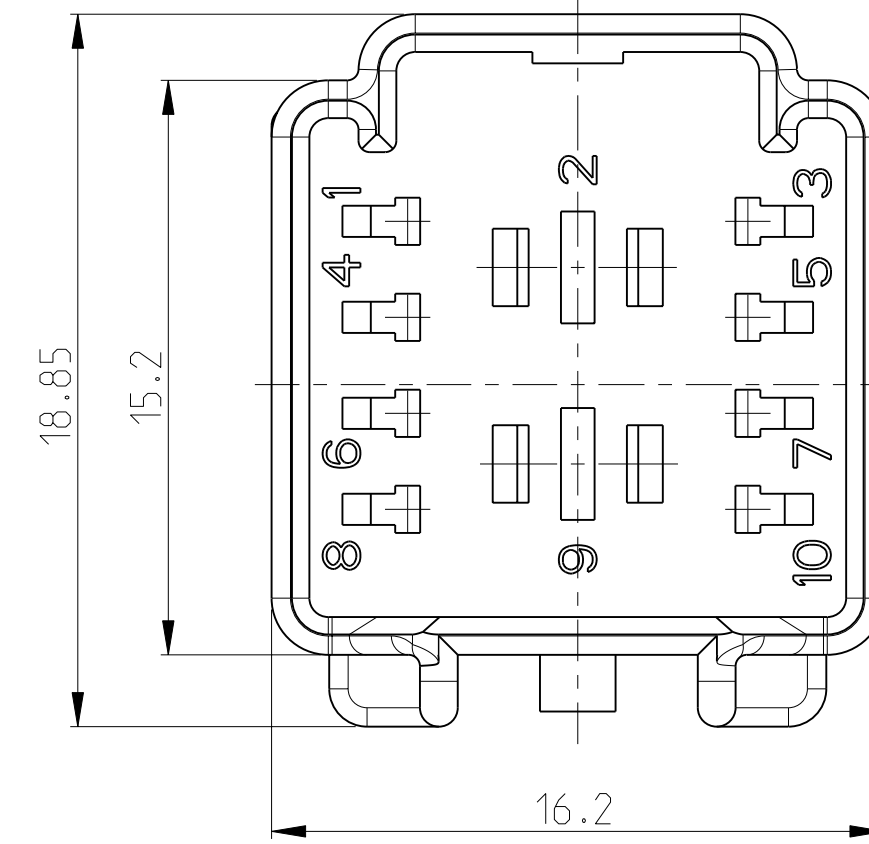
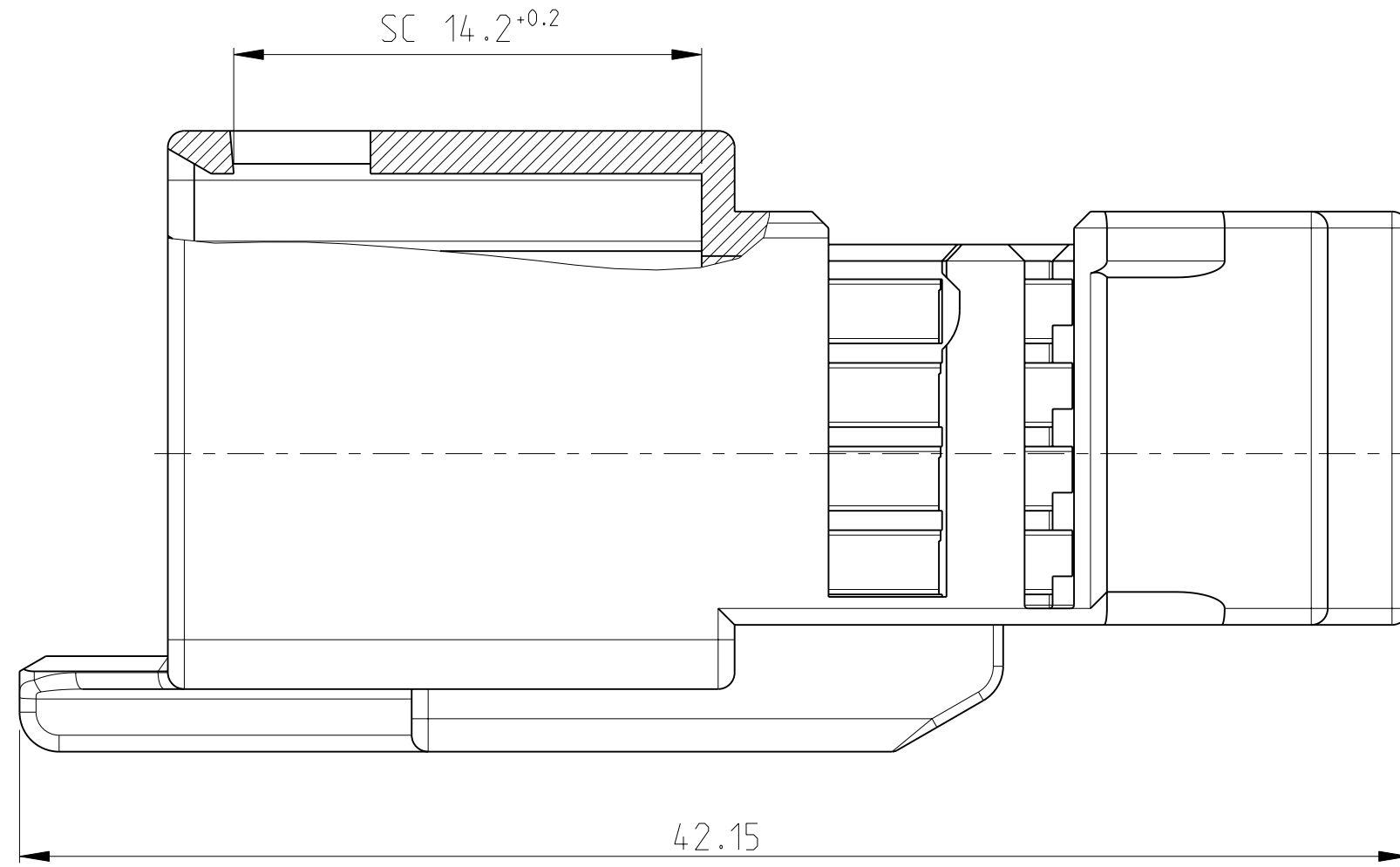
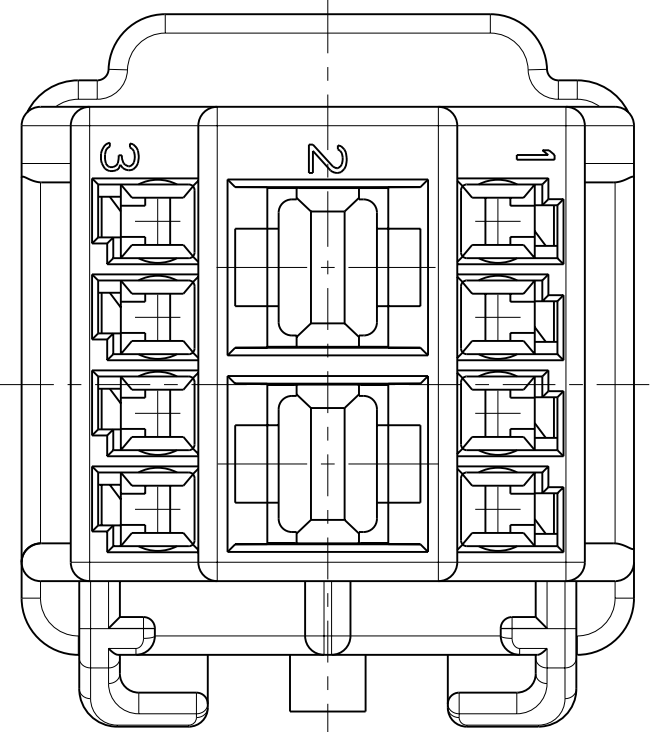


LOC	DIST	REVISIONS			
P	LTR	DESCRIPTION	DATE	DWN	APVD
A1	-	B2	ECR-12-002462	08FEB2012	GP GM



SECONDARY LOCK TO BE MOUNTED BY HARNESSMAKER AFTER CONTACT INSERTION:
 Zweite Kontaktsicherung wird nach Kontaktbestueckung durch den Kabelkonfektionierer montiert:

0-1563126-1
 10POS MIXED SECONDARY LOCK

DELIVERY CONDITION:
PARTS UNMOUNTED EACH IN SEPERATE BOXES.
SECONDARY LOCK TO BE ORDERED SEPERATELY !

Anlieferungszustand:
Teile werden seperat geliefert.
Zweite Kontaktsicherung muss seperat bestellt werden !

- NOTES:
 Bemerkungen:
- 1 MATED WITH TE-PN: 0-1563123-1
Verwendet mit TE-PN: 0-1563123-1
 - SC SIGNIFICANT CHARACTERISTIC
Signifiantes Merkmal

APPLICABLE TERMINALS verwendete Kontakte		
DESCRIPTION Beschreibung	FINISH Oberflaeche	TERMINALS TE-NO. Kontakte TE-Nr.
MCON 1.2 LL TAB CONTACT (0.25mm ² -0.35mm ²) WITH INS.Ø1.1-Ø1.75	TIN PLATE	0-1418758-1
MCON 1.2 LL TAB CONTACT (0.5mm ² -0.75mm ²) WITH INS.Ø1.4-Ø1.9	TIN PLATE	0-1418760-1
MCP 2.8x0.8 TAB CONTACT (0.2mm ² -0.5mm ²) WITH INS.Ø1.3-Ø1.6	TIN PLATE	1-963860-1
MCP 2.8x0.8 TAB CONTACT (0.5mm ² -1.0mm ²) WITH INS.Ø1.4-Ø2.1	TIN PLATE	1-962841-1
MCP 2.8x0.8 TAB CONTACT (>1.0mm ² -2.5mm ²) WITH INS.Ø2.1-Ø2.9	TIN PLATE	1-962842-1

THIS DRAWING IS A CONTROLLED DOCUMENT.

DWN	G.PUCKEL	27AUG2007
CHK	K.ROTH	27AUG2007
APVD	G.PUCKEL	27AUG2007

DIMENSIONS:	TOLERANCES UNLESS OTHERWISE SPECIFIED:
mm	0 PLC ±0.50
	1 PLC ±0.50
	2 PLC ±0.50
	3 PLC ±
	4 PLC ±
	ANGLES ±°
MATERIAL	FINISH

CUSTOMER DRAWING

PART NO	DESCRIPTION	COLOUR	ITEM NO
0-1563125-2	10POS. MIXED TAB HOUSING	NATURE	1
0-1563125-1	10POS. MIXED TAB HOUSING	BLACK SIMILAR RAL9011	1

PARTS LIST

STE TE Connectivity

NAME: 10POS MIXED TAB HOUSING
 8 x MCON1.2 AND 2 x MCP2.8

SIZE	CAGE CODE	DRAWING NO	RESTRICTED TO
A2	00779	©=1563125	-

SCALE 5:1 SHEET 1 OF 1 REV B2